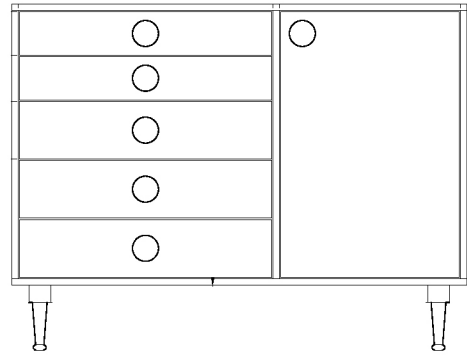
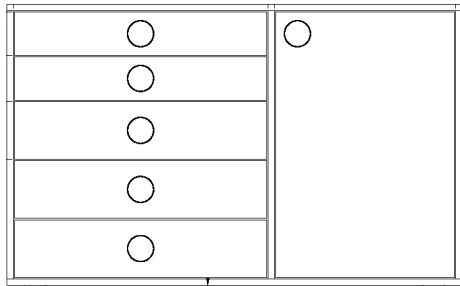


PHOENIX SIDE BOARD  
BZ 1035-07  
ASSEMBLY INSTRUCTIONS

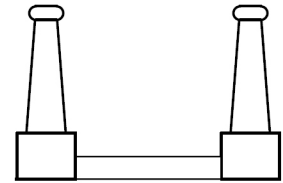


## Components:

(A) Cabinet, 1x



(B) Leg, 2x



## Hardware & Tools:

(C) Allen bolt, 6x



(D) Washer, 6x



(E) Allan Key, 1x

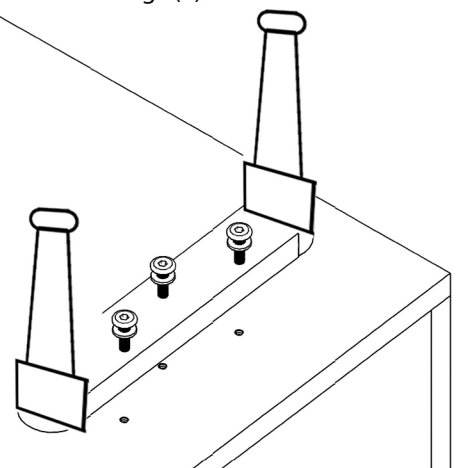


Before beginning:

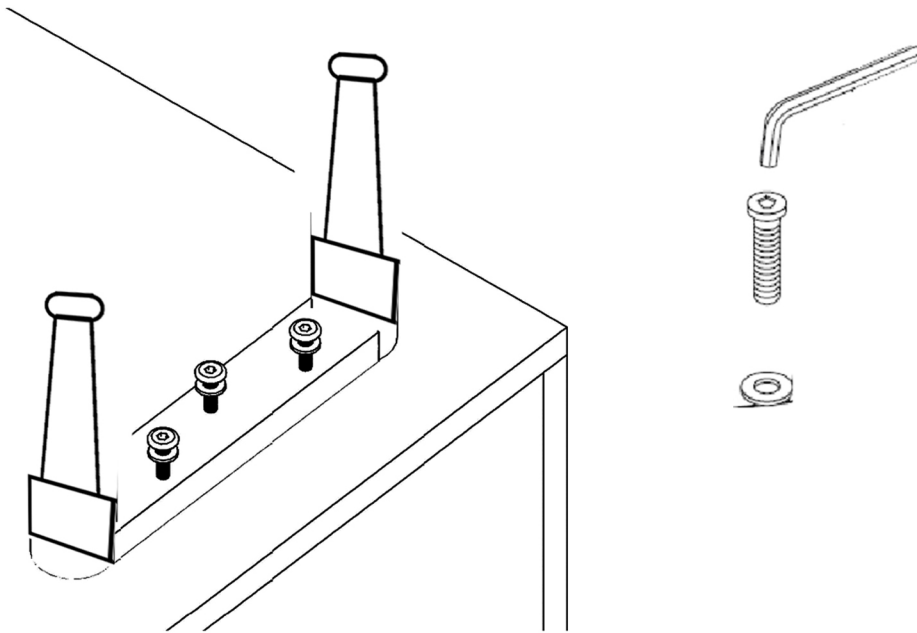
- Unpack all parts and hardware to ensure you have all needed components for assembly.
- Read this guide cover to cover before beginning assembly.
- Have 2 adults on hand for assembly.
- Assemble on a padded, non-marring surface.
- Save all packaging until finish.

Assembly steps

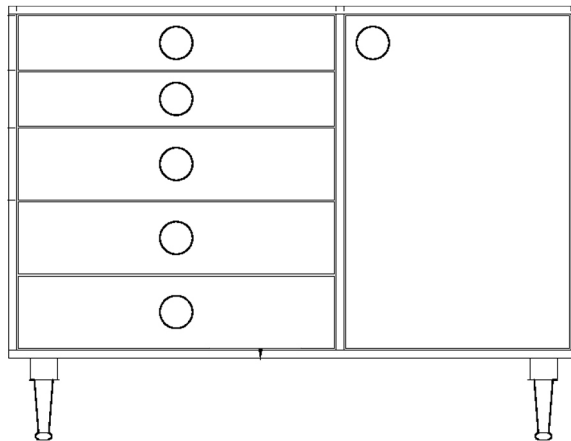
Step 1: Lay the Side Board (A) on a soft surface, with the inserted nuts facing up. Place the Legs (B) making them match with the Bolt as shown in the image.



**Step 2:** Attach the legs using the Bolts (C), Washers (D) and Allen Key (E) provided.



**Step 3:** Turn the Side board on its upright position



**Assembly complete.**

**Care Instructions:**

- Do not clean furniture with harsh cleansers or polish.
- Do not put hot items directly on furnitue surface.
- Do not put furniture in direct sunlight.
- Not for commercial use. For residential use only.
- Dust and pick up spills with a clean, non-colored, lint-free cloth.
- Stains may be removed with mild soap and damp cloth.

**Thank you!**