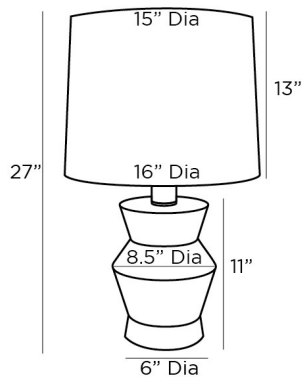


ARTERIOS

SOUTHLAKE LAMP



11076-686
H: 27 IN, Dia: 16.00 IN
Ice Reactive Porcelain
Contract Suitable As Is

Our Southlake ceramic lamp, in an ice reactive glaze, is designed in a totem-style silhouette with a hand-scratched texture. The handmade accent is finished with an antique brass finial and a white linen drum shade. Finish will vary.

APPEARANCE

Material	Linen, Porcelain, Steel
Finish	Antique Brass, Ice Reactive, White
Finish Will Vary	true
Top Coat/Sealant	false
Finial Description	Antique Brass Sphere
Finial Dimension	1" Sphere

DIMENSIONS

Shade	Top: 15.00 IN, Dia: 16.00 IN, Side: 13 IN
Body	H: 11 IN, Dia: 8.50 IN
Neck	H: 5 IN, Dia: 2.00 IN
Foot Print	Dia: 6.00 IN
Harp	9.5" Brass IN

WIRING

Rating	Indoor Only
Tilt Test	10 Degrees - AU
Cord	10 FT, Back of Lamp Base, Clear/Silver, SPT-2
Socket	1, Brass, Type A - E26
Switch	3-Way Rotary, At Socket
Maximum Watt	150
Voltage	110-120 V

CERTIFICATIONS

Certifications	Mexico Australia, United States, Canada
----------------	--

COMPLIANCY

UL/ETL	Yes
RoHS	false

SHIPPING

Product Weight	7.5 LBS
Gross Weight 1	8 LBS
Gross Weight 2	5 LBS
Shipping Box 1	H: 15.5 IN, L: 10 IN, W: 13 IN
Shipping Box 2	H: 14 IN, L: 17 IN, W: 17 IN

ADDITIONAL INFO

Shade Shape	Round
Shade Trim	Rolled Edges
Shade Type	Hardback

REPLACEMENT PARTS

Replacement Part 1	81002
Replacement Part 1 Dim	1" Sphere

CONTRACT

Contract Suitable	true
-------------------	------