

Installation Instructions

URGENT: READ PRIOR TO ATTEMPTING INSTALLATION

TRACK PENDANT FOR NTH-160 & NTH-162

ALWAYS TURN OFF MAIN POWER BEFORE INSTALLATION

Item	Description	Rating
NTH-160	Track Mount Pendant	60W Candelabra Max.
NTH-160	Track Mount Pendant	40W G9 Halogen Max.

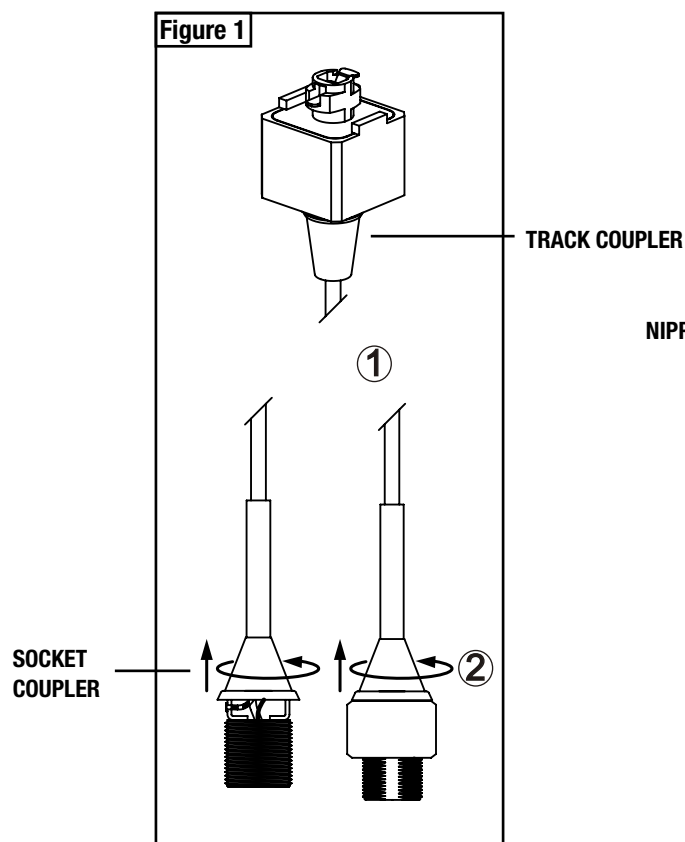


Figure 1

1. Cut pendant cord near track coupler. Cut cord to desired length.
2. Remove socket coupler and washer from the socket assembly.

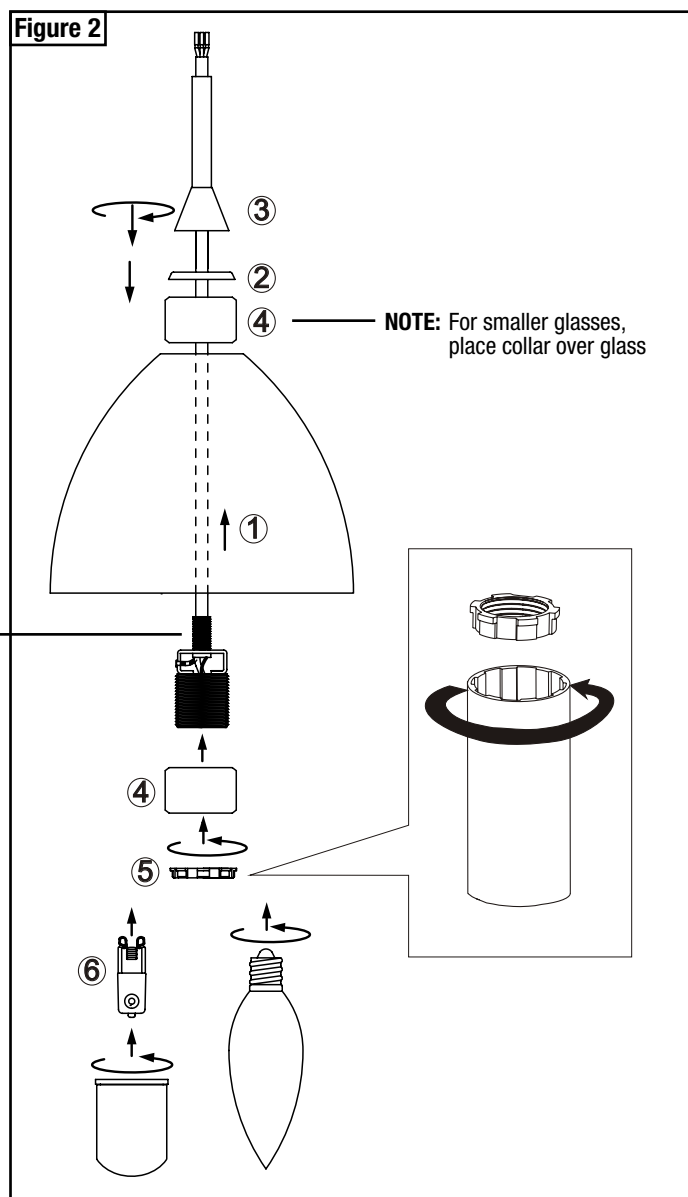


Figure 2

1. Pull pendant cord up through bottom of glass and out the top.
2. Replace washer over nipple or collar. **See Note above**
3. Retighten coupler onto nipple, make sure glass shade is level.
4. Collar can be placed above or below the glass shade, depends on the size of glass, if necessary.
5. Secure glass shade with lock nut, making sure socket is level.
6. Screw lamp into socket.

INSTALLATION SHOULD BE CARRIED OUT BY YOUR LOCAL ELECTRICIAN.

Installation Instructions

URGENT: READ PRIOR TO ATTEMPTING INSTALLATION

TRACK PENDANT FOR NTH-160 & NTH-162

ALWAYS TURN OFF MAIN POWER BEFORE INSTALLATION

Item	Description	Rating
NTH-160	Track Mount Pendant	60W Candelabra Max.
NTH-160	Track Mount Pendant	40W G9 Halogen Max.

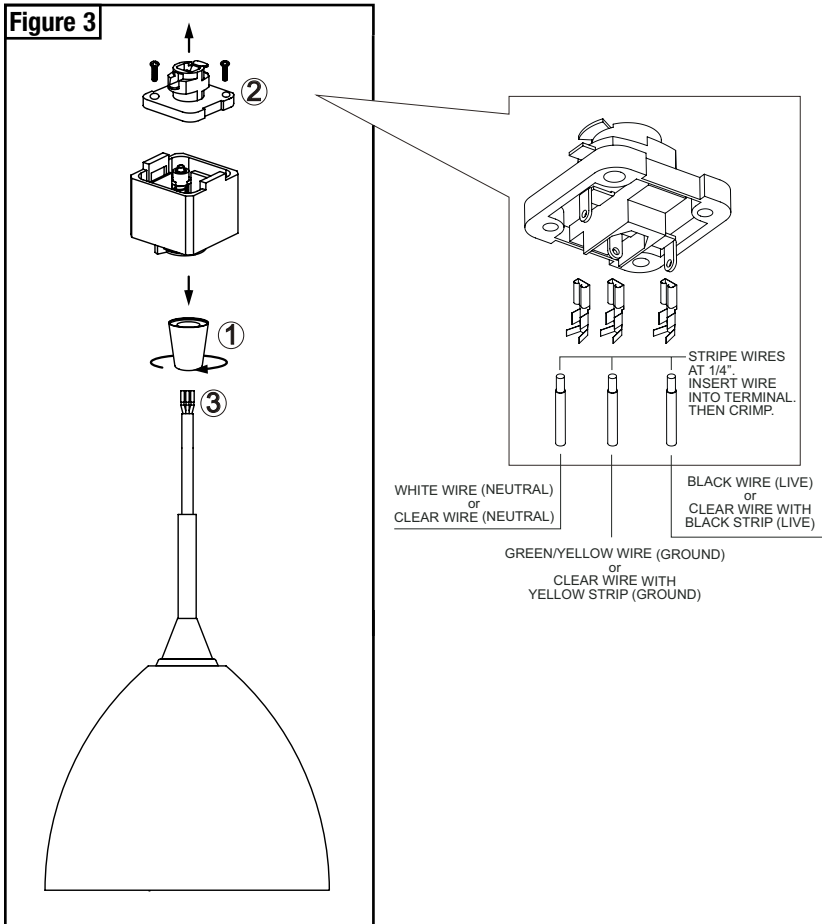


Figure 3

1. Remove track coupler, and place over pendant cord.
2. Remove screws from track adapter and lift contact plate.
3. Pull pendant cord up through the open track adapter and attach gold leads (provided) to ends of pendant cord wire.

Note: Make sure the pendant cord is at your desired length.

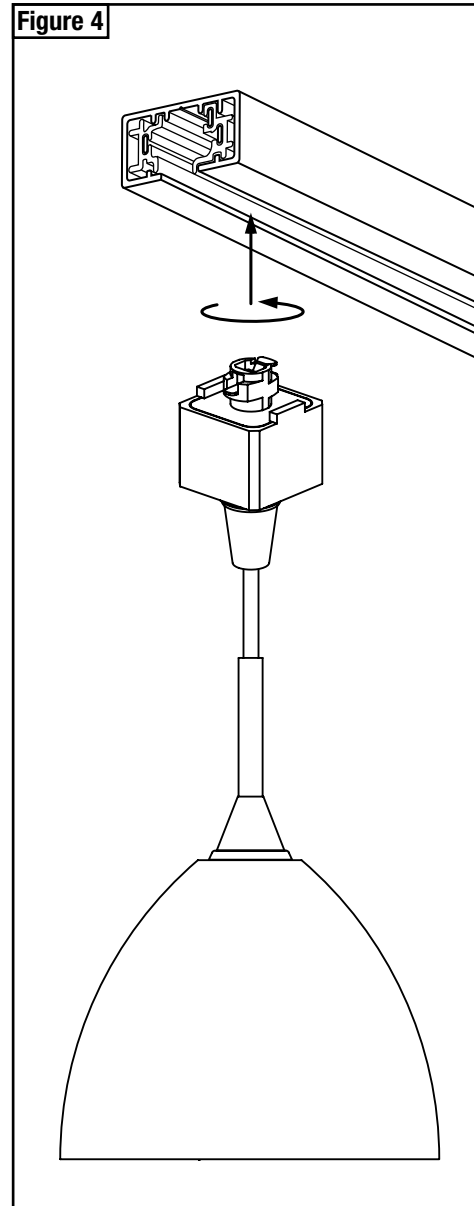


Figure 4

1. Match the polarity line on the fixture to the polarity groove on track.
2. Turn the fixture counter-clockwise until the contact head can be inserted into the track.
3. Push fixture straight into track.
4. Rotate contact head adapter clockwise until it locks into place.

INSTALLATION SHOULD BE CARRIED OUT BY YOUR LOCAL ELECTRICIAN.