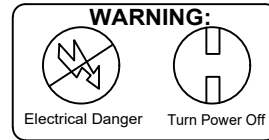
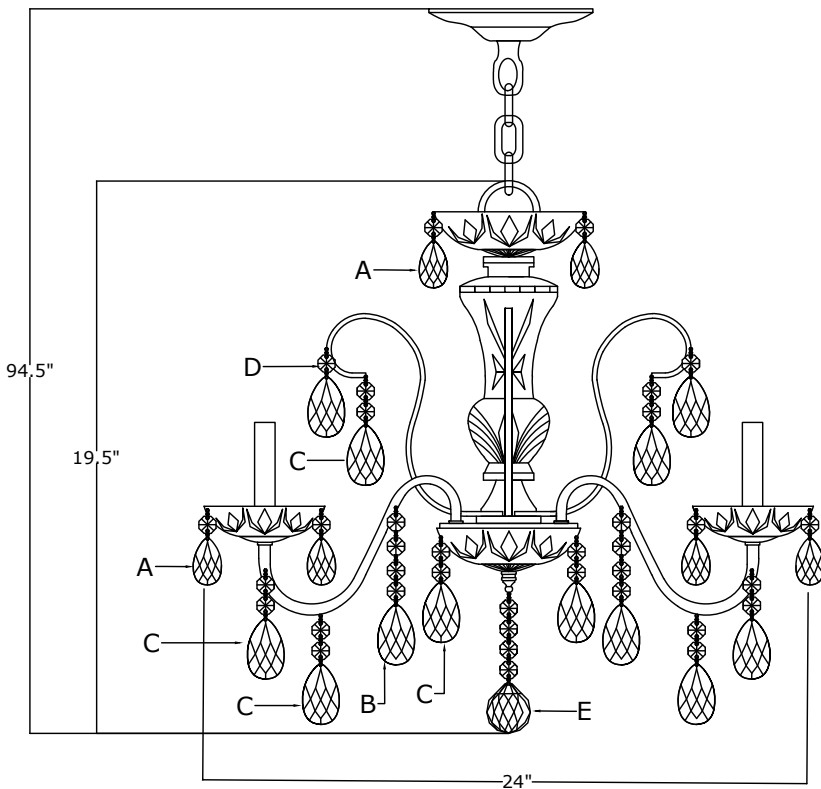


# CRYSTORAMA

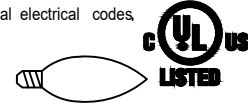
LIGHTING THE WAY FOR SIXTY YEARS



## ASSEMBLY INSTRUCTION MODEL # 3025-EB-CL-MWP



All electrical components must be installed by a licensed electrician in accordance with the National Electric Code and the appropriate local electrical codes.



You will need 5- Candelabra Base Bulb  
40 Watts recommended 60 Watts Max.  
USE LED BULBS FOR EXTENDED USE

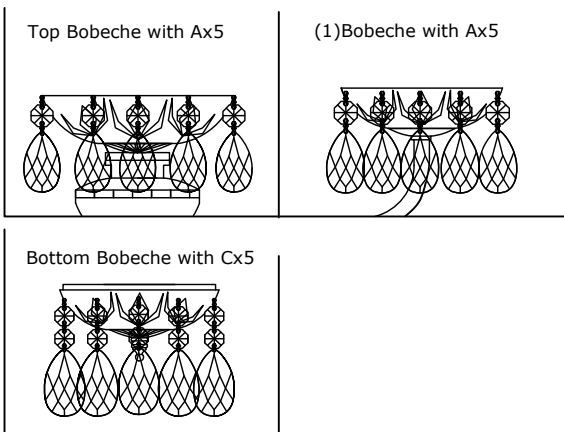
The fixture is Dry rated.

### HOW TO INSTALL:

Place the fixture parts on a soft cloth-covered platform before installation of fixture.

1. Feed the wire through the scroll and glass column kit. Turn the fixture loop to tighten the scroll onto the frame.
2. Place the bottom bobèche and dish over the bottom cover and secure with finial.
3. Attach the mounting bar onto the outlet box.
4. Decide the desired hanging height and adjust the chain to the correct length.
5. Raise the fixture up and do the wire connection. Attach the canopy over the mounting bar and secure with collar ring.
6. Slide the bobèche and candle sleeve over the socket.
7. Dress the crystal as illustrated.

### DETAILED ILLUSTRATION



### Crystal Sets

- A. 30 Sets. (1)14mm + AS9-1.5"
- B. 5 Sets. (1)14mm + AS9-2"
- C. 20 Sets. (2)14mm + AS9-2"
- D. 5 Sets. (1)14mm + AS9-2"
- E. 1 Piece. (4)14mm + AS8-40mm Ball

**WARNING:** This product can expose you to Lead, which is known to the State of California to cause cancer and/or birth defects or reproductive harm. For more information go to [www.p65warnings.ca.gov](http://www.p65warnings.ca.gov)

# CRYSTORAMA

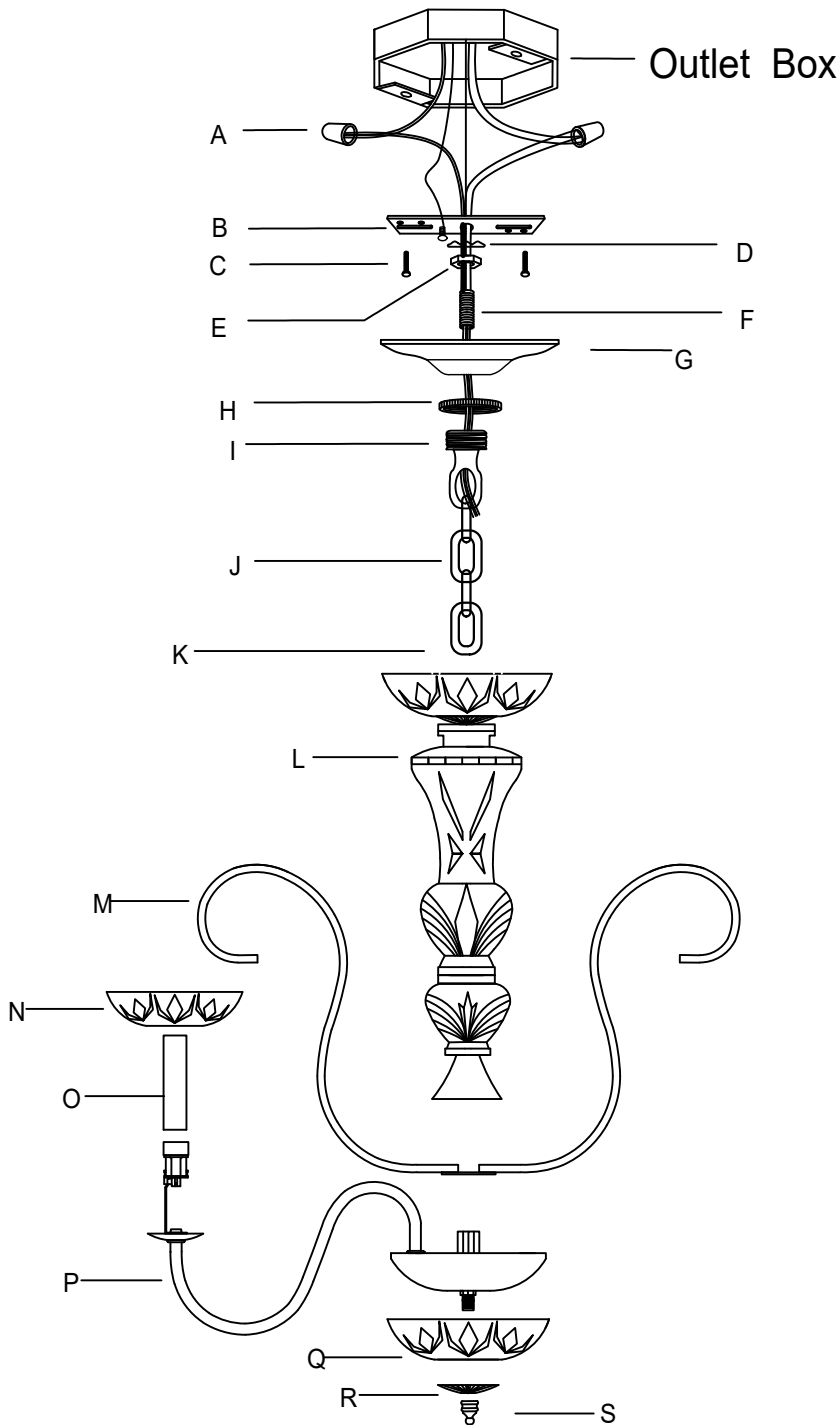
LIGHTING THE WAY FOR SIXTY YEARS



PART NUMBER MODEL# 3025-EB-CL-MWP

## Part Number

### Part Numbers



- A. (2)-Wire Connector
- B. (1)-Mounting Bar
- C. (2)-Mounting screw
- D. (1)-Lock washer
- E. (1)-Hex nut
- F. (1)-Nipple
- G. (1)-Canopy (W5"xH1")-XSN3025EBCAN5IN
- H. (1)-Collar ring
- I. (1)-Collar loop
- J. (1)-Chain (4mmx72")
- K. (1)-Fixture loop
- L. (1)-Glass Column Kit  
 Top bobeche; Ø4", 5pin, 28mm hole  
 -XSN3022EBBOB5PN  
 Glass vase; H6 3/4", Ø3 1/4".
- M. (5)-Scroll-XSN3025EBSCROLL
- N. (5)-Bobeche ; Ø4", 5pin, 28mm hole  
 -XSN3022EBBOB5PN
- O. (5)-Candle sleeve ; H4"-XSN3025CDL4IN
- P. (5)-Arms
- Q. (1)-Bottom bobeche ; Ø5", 5pin, 13mm hole  
 -XSN3025EBBOB5PN
- R. (1)-Bottom dish
- S. (1)-Finial-XSN3025EBFIN