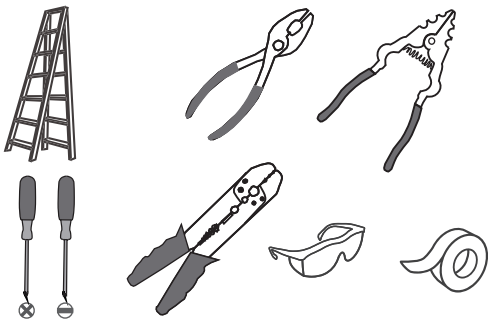
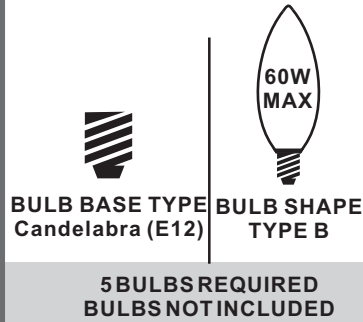


Tools Required



Light Source



**Fixture Height Adjustable
25.5" to 121.5"**

⚠ Warnings and Cautions

Turn off the electricity at the circuit breaker before installation. Consult a licensed electrician if in doubt about installation.

Turn off power to the fixture and allow the bulbs to cool before replacing.

Package Contents

Preparation: Identify and inspect all parts before beginning the installation.

Missing or damaged parts? Contact your original place of purchase.

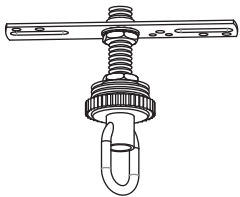


G Shade
x 5



H Fixture Loop
x 1

PARTS BAG



A Crossbar Assembly
x 1



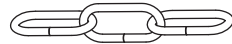
B Outlet Box Screw
x 2



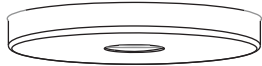
C Wire Connector
x 3



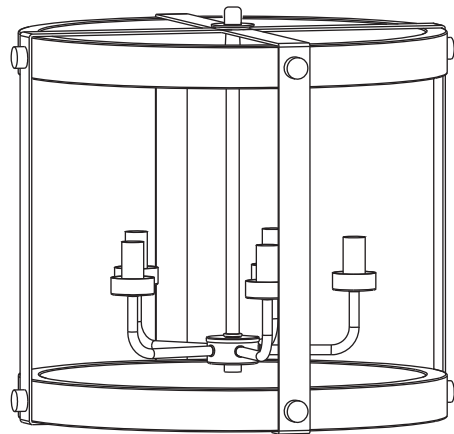
D Quick Link
x 2



E Fixture Chain
x 1



F Ceiling Canopy
x 1



I Fixture Body
x 1

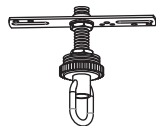
Table of Contents

Fixture Loop



STEP 1

Crossbar Assembly



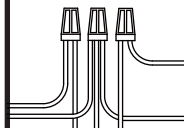
STEP 2

Fixture Chain



STEP 3

Wiring



STEP 4

Ceiling Canopy



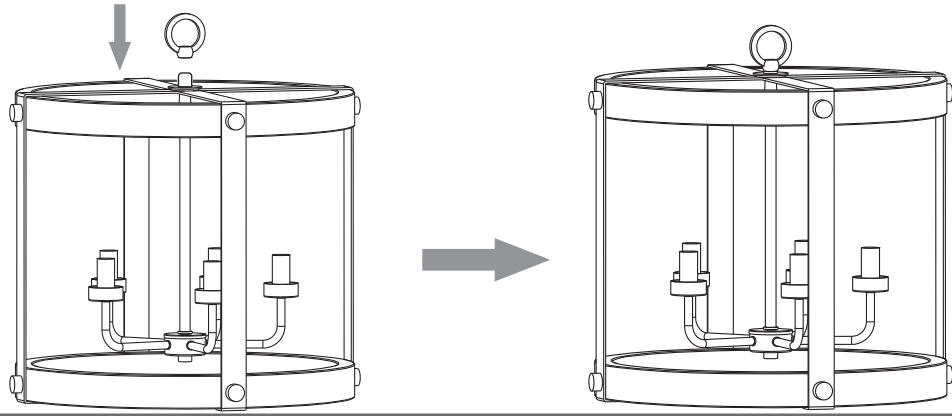
STEP 5

Shade and Bulb



STEP 6

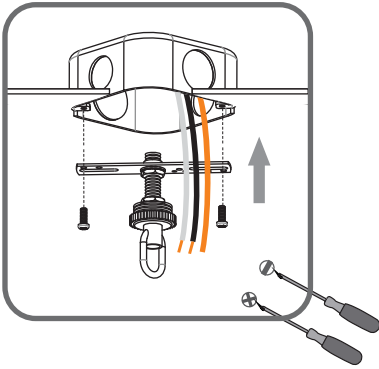
STEP 1



STEP 2

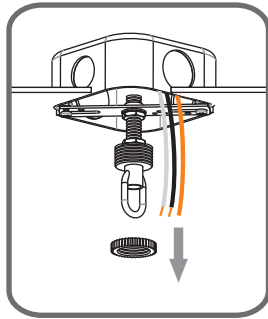
1

Step 1
Install crossbar assembly

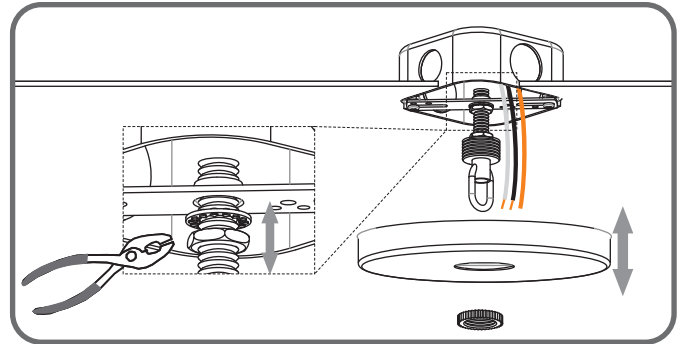


2

Step 2 - 3
Test fitting ceiling canopy to nipple



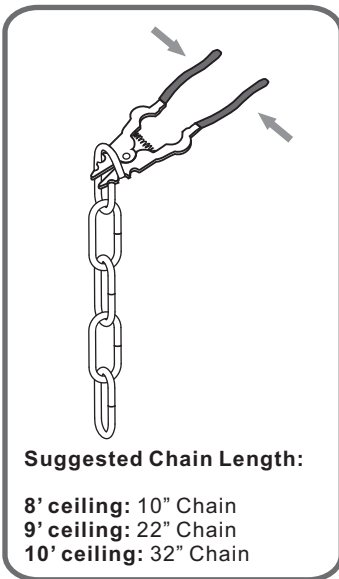
3



STEP 3

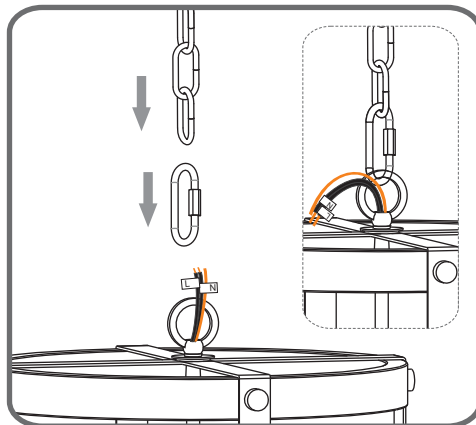
1

Step 1
Adjust fixture chain length

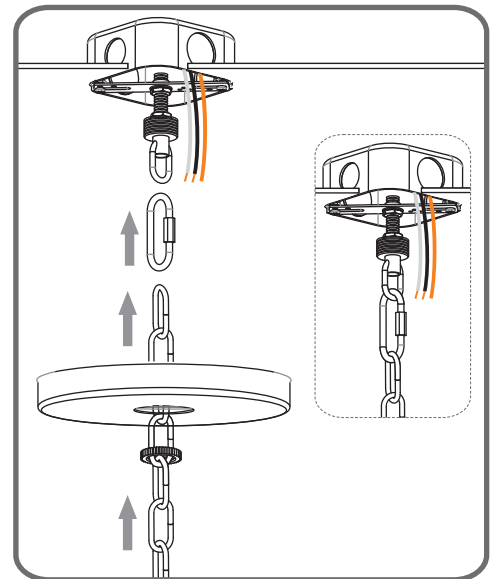


2

Step 2 - 3
Install Fixture Chain



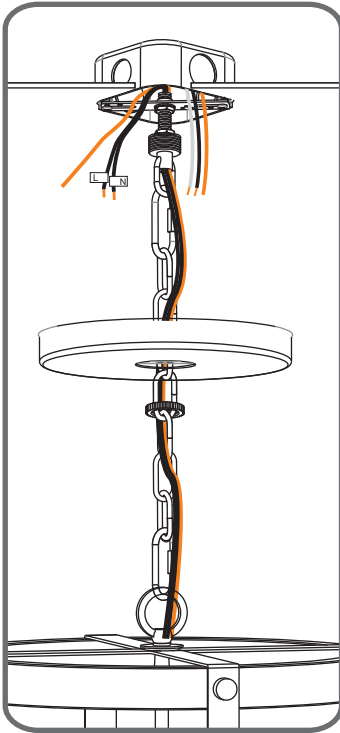
3



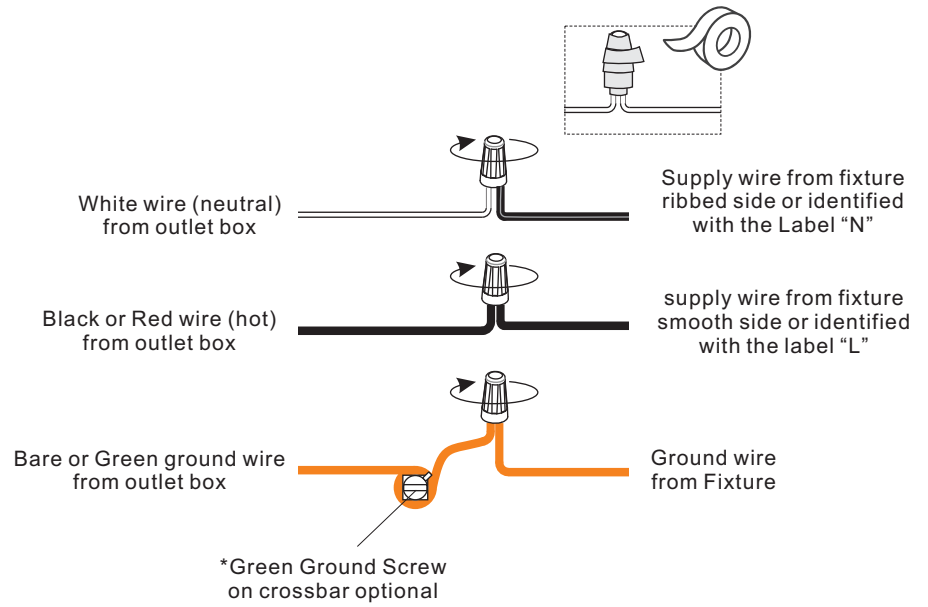
STEP 4

1

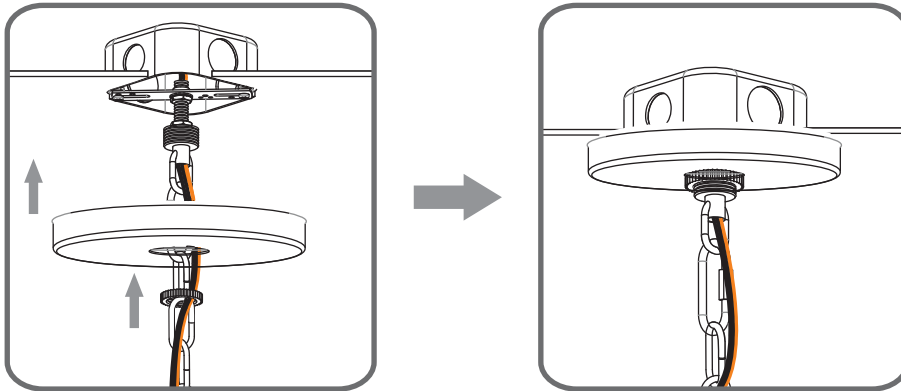
Step 1
Feed the fixture wires
through the loop



2



STEP 5



STEP 6

