

# K A B L E L I T E

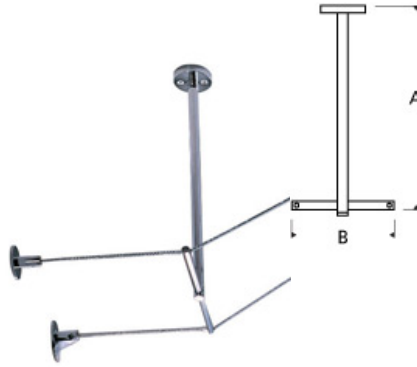
## Kable Lite Rigid T Standoff

### DESCRIPTION

Mounts to ceiling. Provides support for long runs or runs with a changing cable drop. Offered for a range of drops and cable separations. Not field-cuttable. To run the system just beneath a surface transformer, use the 5" drop.

### WEIGHT

0.25-0.75lb / 0.11-0.34kg ±



### ORDERING INFORMATION

700KTSO	LENGTH (A)	CABLE SEPARATION	FINISH
01	1"	01 1"	C CHROME
02	2.5"	02 2"	S SATIN NICKEL
05	5"	03 3.5"	
12	12"	05 5.5"	
		08 8"	



**TECH LIGHTING®**

7400 Linder Avenue  
Skokie, Illinois 60077

T 847.410.4400  
F 847.410.4500

Tech Lighting, L.L.C.

700KTSO \_\_\_\_\_

FIXTURE TYPE: \_\_\_\_\_

JOB NAME: \_\_\_\_\_

NOTES: \_\_\_\_\_

\_\_\_\_\_

\_\_\_\_\_

\_\_\_\_\_

\_\_\_\_\_



©2014 Tech Lighting, L.L.C. All Rights Reserved. The "Tech Lighting" graphic is a registered trademark of Tech Lighting, L.L.C. Tech Lighting reserves the right to change specifications for product improvements without notification.