



# CAL LIGHTING

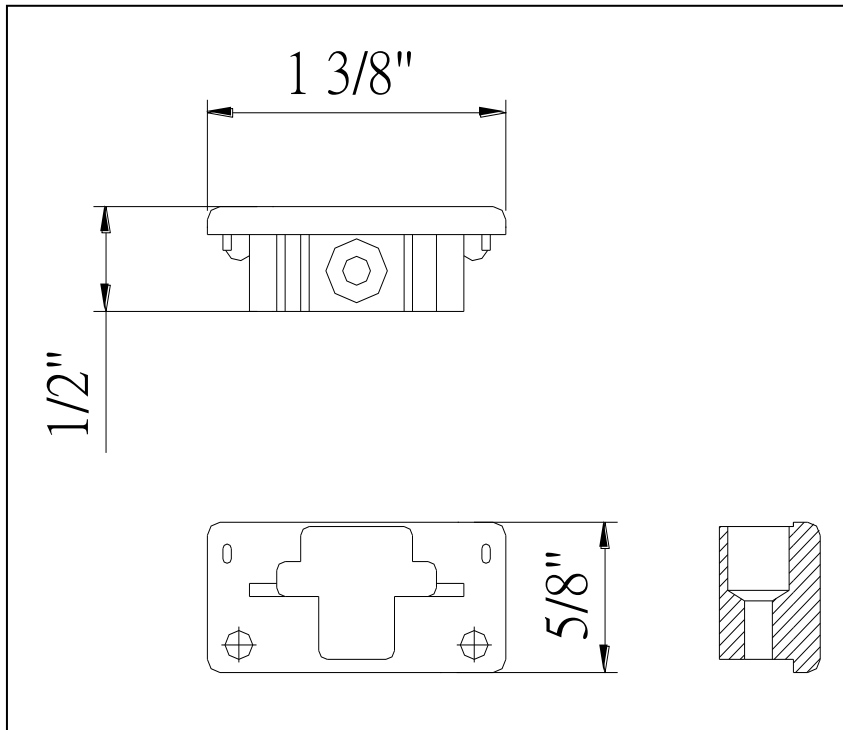
3625 E. Philadelphia St. Ontario CA. 91761 • Tel: 909.947.5200 • Fax:  
909.947.5673 • www.calighting.com • service@calighting.com •  
Specifications subject to change without notice

Type: \_\_\_\_\_

Project: \_\_\_\_\_

Catalog No.: \_\_\_\_\_

Lamp/Wattage: \_\_\_\_\_



**Model No. :** HT-280

**Description :** HT track end cap

**Voltage :** 120 V

**Ampere:** 20 A

**Finish :** BS (Brushed Steel)

**Certificate :** 