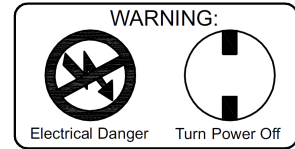
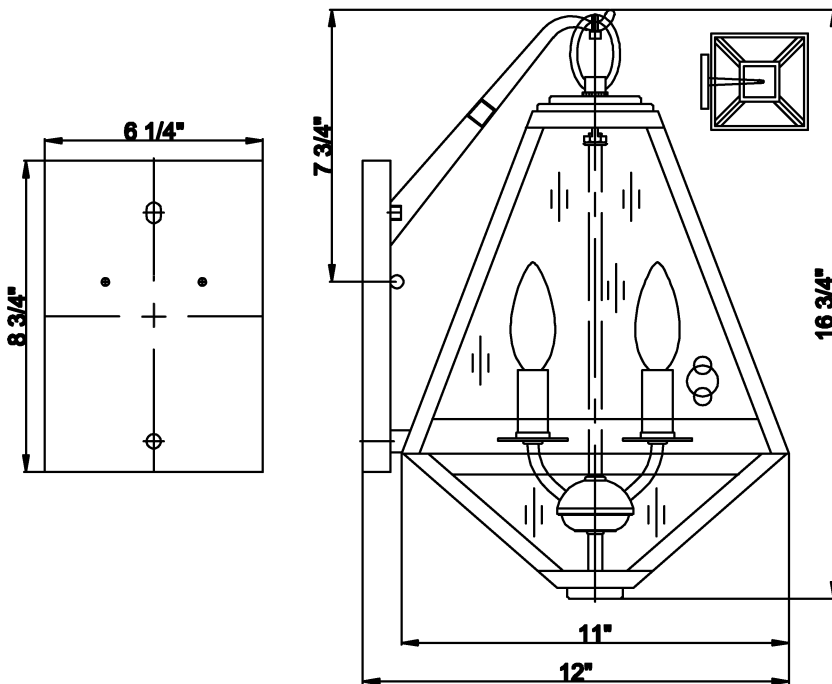


CRYSTORAMA

LIGHTING THE WAY FOR SIXTY YEARS

ASSEMBLY INSTRUCTION MODEL# GLA-9722-OP-BC



All electrical components must be installed by a licensed electrician in accordance with the National Electric Code and the appropriate local electrical codes.



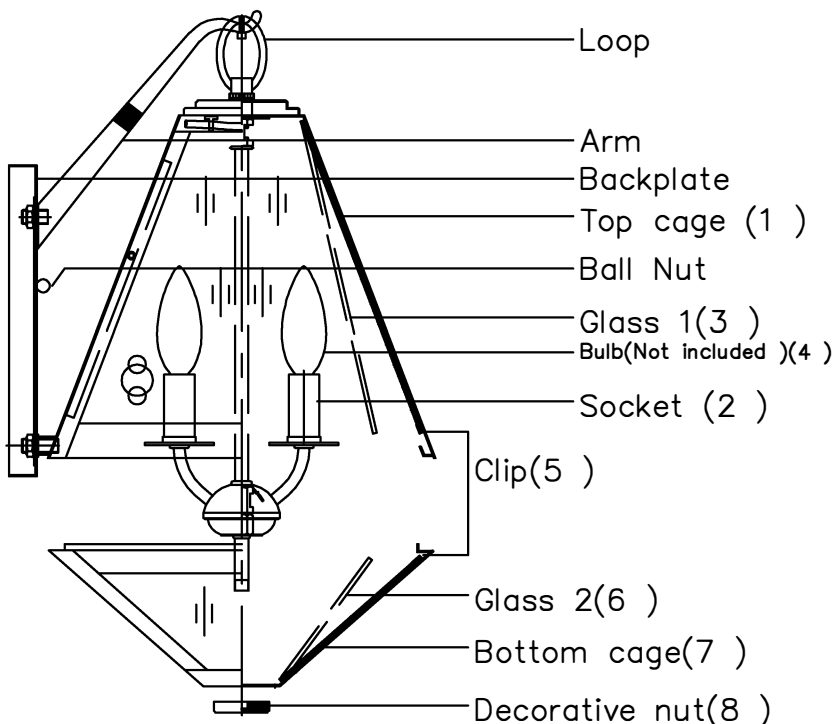
You will need 2 - Cand.Bulb

40 Watts Recommended

60 Watts Max

USE LED BULBS FOR EXTENDED USE

California T24 JAB-2016 Qualified: Satco (S9618); 5 watt LED Medium Base recommended. Bulb not included



How to Install

- To install glass panels, separate the Bottom Cage (7) and the Top Cage (1), by removing the Decorative Nut (8).
- Bend glass Clip (5) and slide Glass #1(3) into the Top Cage (1) and Glass # 2(6) into the Bottom Cage (7).
- Bend glass Clip (5) to secure Glass # 1(3) and Glass # 2(6)

- Install the bulb (4) to the socket (2).
- Connect the Bottom Cage (7) and the Top Cage (1), by screwing in Decorative Nut (8) to secure cage.

The backplate of the fixture can now be mounted to the wall.

Replacement Glass installation:

- Follow instructions # 1 through # 3 above to install new glass. Complete by connecting the Bottom Cage (7) and the Top Cage (1) by screwing in Decorative Nut (8) to secure cage.

Bulb replacement:

- Separate the Bottom Cage (7) and the Top Cage (1), by removing Decorative Nut (8).
- Install the bulb (4) into the socket
- Complete by connecting the Bottom Cage (7) and the Top Cage (1) by screwing in Decorative Nut (8) to secure cage.



WARNING: This product can expose you to Lead, which is known to the State of California to cause cancer and/or birth defects or reproductive harm. For more information go to www.P65Warnings.ca.gov

CRYSTORAMA

LIGHTING THE WAY FOR SIXTY YEARS

ASSEMBLY INSTRUCTION MODEL# GLA-9722-OP-BC

Part Number

- A. (1)–Mounting hardware
- B. (1)–Loop;(XN09701BCL00)
- C. (1)–Arm
- D. (1)–Backplate;W6.25”XH8.75”
- E. (1)–Top cage
- F. (2)–Ball Nut;(XN09722BCBANUT)
- G. (4)–Glass 1;(3”+9.84”)X9.5”;(XN097220PGLA9.5IN)
- H. (2)–Bulb (Not included)
- I. (2)–Candle sleeves; $\phi 0.75 \times 2$ ”;(XN09702BCCDL2IN)
- J. (4)–Glass 2;(1.8”+9.76”)X5.25”;(XN097220PGLA5.25IN)
- K. (1)–Bottom cage
- L. (1)–Decorative nut; $\phi 40 \times 8$ mm;(XN09701BCFIN)

