

SAFETY INFORMATION

Released Date: 2023-08-30

Please read and understand this entire manual before attempting to assemble, install or operate the product.

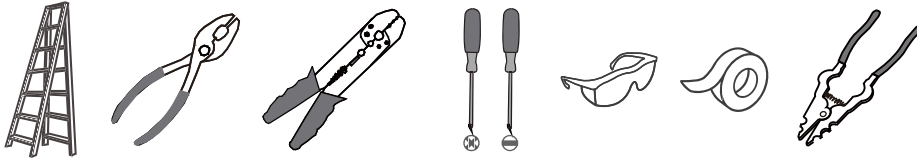
WARNING

- RISK OF ELECTRIC SHOCK - Before beginning installation, turn off electricity at the circuit breaker box or the main fuse box.
- RISK OF FIRE - Use bulbs specified by the markings and/or labels on the fixture.

CAUTION

- For your safety, read instructions completely before beginning installation.
- If in doubt about electrical installation, consult a licensed electrician.
- Turn off electricity to fixture before replacing the bulb(s).

TOOLS REQUIRED

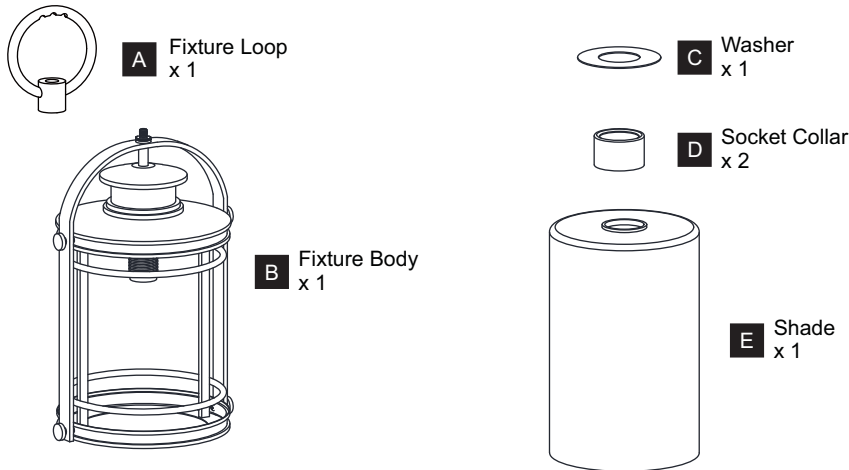


CARE AND MAINTENANCE

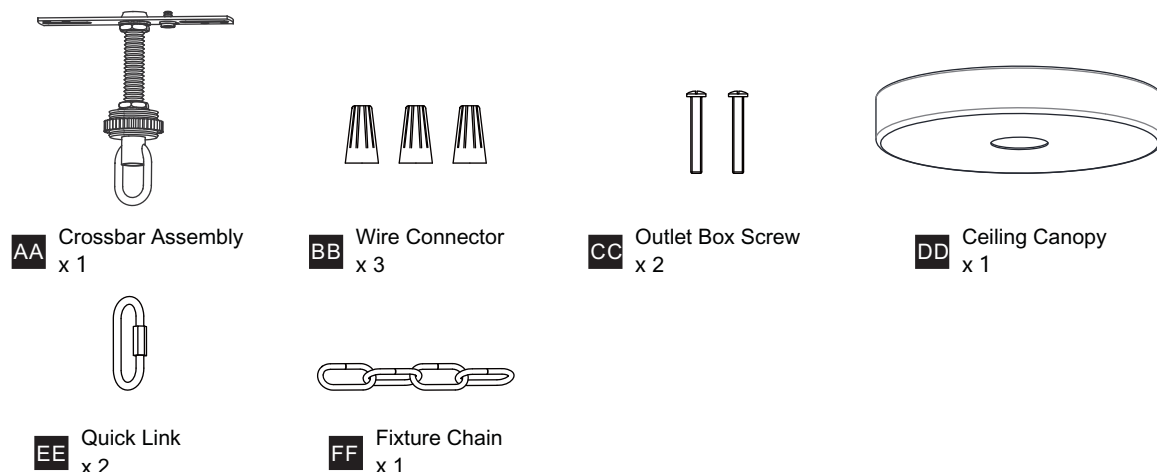
- Wipe clean using soft, dry cloth or static duster. Always avoid using harsh chemicals and abrasives to clean fixture as they may damage the finish.

If you need further assistance call Quozel Customer Care at 1-800-645-3184 (9:00am - 5:00pm EST), or visit us on-line at www.quozel.com.

PACKAGE CONTENTS

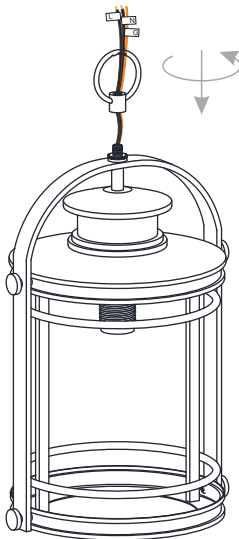


MOUNTING HARDWARE



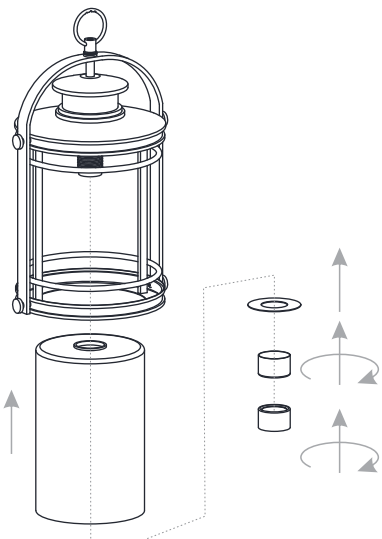
INSTALLATION

1 Install Fixture Loop



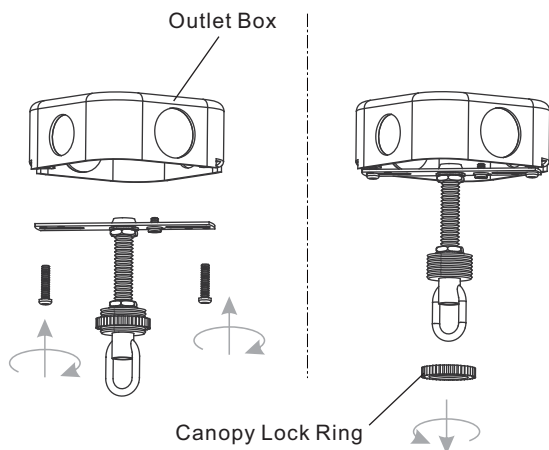
A line drawing of a lantern fixture with a wire loop at the top. The loop is being attached to the top of the fixture. A curved arrow indicates the rotation of the loop.

2 Install Shade



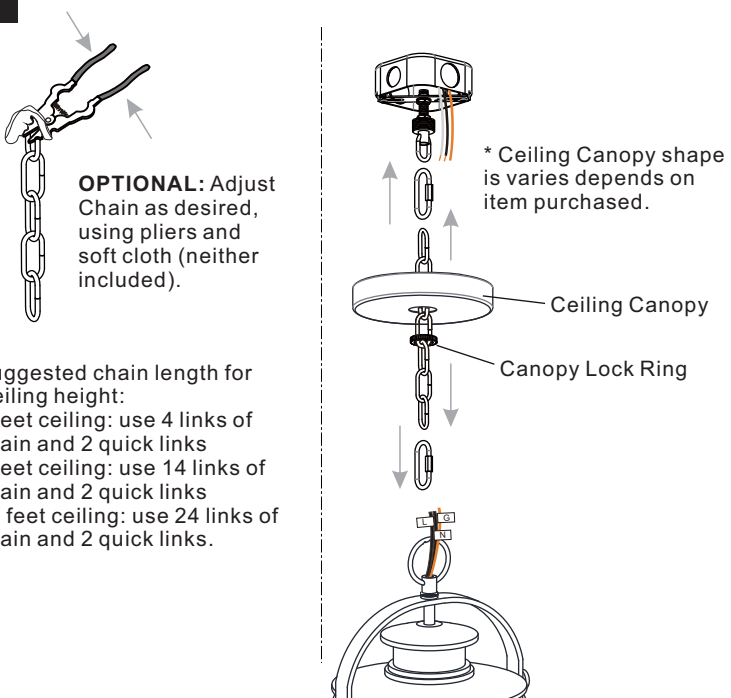
A line drawing of the lantern fixture with a cylindrical shade being attached to the bottom. The shade is shown in two positions: one being pushed up and another being rotated. A curved arrow indicates the rotation of the shade.

3 Install Crossbar Assembly



A line drawing showing the installation of a crossbar assembly onto an outlet box. The outlet box is labeled "Outlet Box". The crossbar assembly is shown being attached to the outlet box. A "Canopy Lock Ring" is also shown being attached to the assembly. A curved arrow indicates the rotation of the assembly.

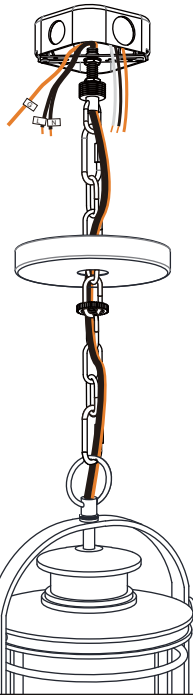
4 Install Fixture Chain



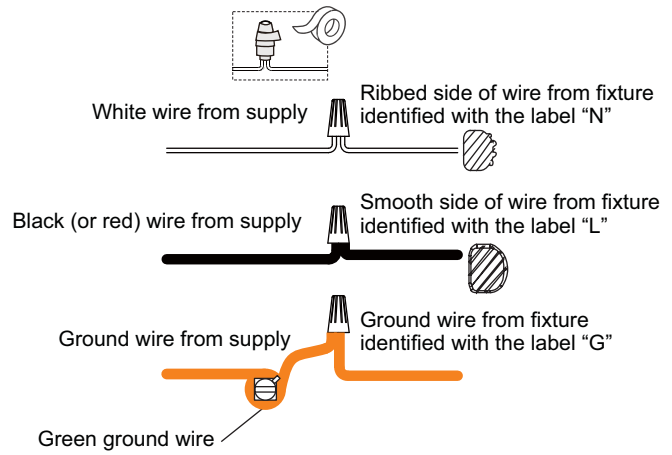
A line drawing showing the installation of a fixture chain. The chain is being attached to a "Canopy Lock Ring" which is mounted on a "Ceiling Canopy". The ceiling canopy is labeled "Ceiling Canopy" and the lock ring is labeled "Canopy Lock Ring". A note indicates that the ceiling canopy shape varies depending on the item purchased. A note also states: "OPTIONAL: Adjust Chain as desired, using pliers and soft cloth (neither included)." Suggested chain lengths are provided for different ceiling heights: 8 feet ceiling: use 4 links of chain and 2 quick links; 9 feet ceiling: use 14 links of chain and 2 quick links; 10 feet ceiling: use 24 links of chain and 2 quick links. A curved arrow indicates the rotation of the chain.

5 Pull Supply Wires

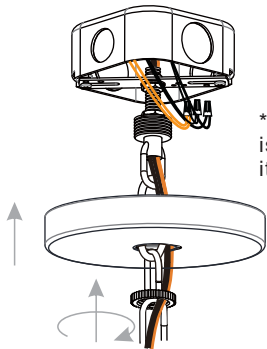
Pull the supply wires with ground wire through the chain alternate links.



6 Wiring



7 Install Ceiling Canopy

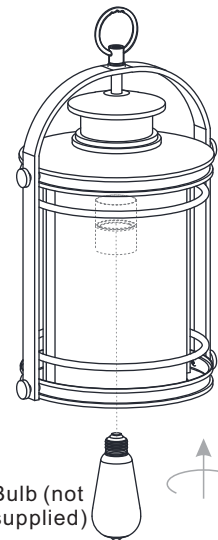
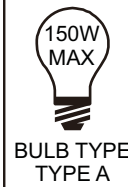


* Ceiling Canopy shape is varies depends on item purchased.

8 Install Bulb

Install one correct bulb referring to fixture markings and/or labels for maximum wattage.

Recommended Bulb Type (not supplied):



Your installation is now complete! Restore electricity and save this sheet for future reference.