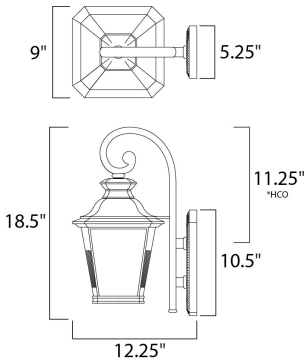




PRODUCT DESCRIPTION



*height from center of outlet to the top of the fixture

MEASUREMENTS

DIMENSION : 9" W x 18.5" H x 12.25" Ext
 BACK PLATE : 5.25" W x 10.5" H x 11.25" HCO
 HANGING WEIGHT : 4.9 lb

LAMPING

INPUT VOLTAGE : 120V
 LUMENS : 700 Rated
 BULB : 1 x 8W LED AC Integrated , 8W Total
 BULB INCLUDED : (Integrated)
 DIMMABLE : Triac CL
 CRI : 80+ CRI
 COLOR_TEMP : 3000K

FINISHES OPTION

 Bronze

GLASS

Frosted Seedy FS

MATERIAL

Aluminum, Glass

RATINGS

cETLus
 Wet Location
 For Outdoor



ADDITIONAL

OPERATING TEMPERATURE:
 -20°C (-4°F), 40°C (104°F)

Always consult a qualified electrician before installing any lighting product.



WESTERN DISTRIBUTION CENTER (HEADQUARTER)
 253 NORTH VINELAND AVE | CITY OF INDUSTRY, CA 91746
EASTERN DISTRIBUTION CENTER
 4200 SHIRLEY DR. | ATLANTA, GA 30336
 P. 626.956.4200 | F. 626.956.4225 | maximlighting.com