

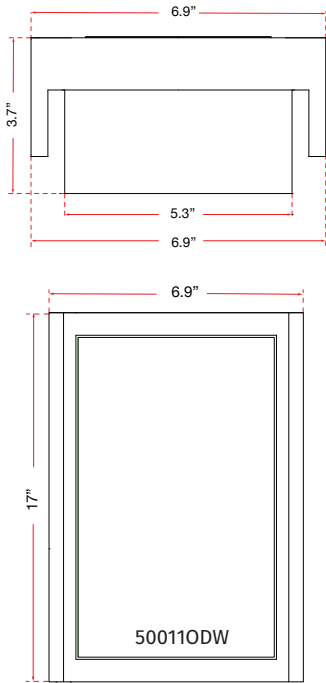


ABRA MODEL **500110DW-SL**

**Wet Location Miter Glass LED Wall Fixture**

FAMILY NAME **Titon**

UPC **00810035190726**



FIXTURE MATERIAL				FIXTURE DIMENSIONS IN INCHES										
Frame Material	Finishes Available	Diffuser Type	Diffuser Finish	Diameter	Height	o.a.h	Width	Length	Ext	Weight	ADA	Location	Rating	Compliance
Steel	SL-Silica MB-Matt Black	Glass	Frosted		17	10	6.9		3.7		Compliant	Wall Mount only	Wet Location	cETLus
LAMPING										Compatible Dimmers	Junction Box Type	SUPPLIED		
Lamp Type	Lamp qty	Wattage	Max Wattage	Base	Kelvin	CRI	Initial Lumen's	Delivered Lumen's	Voltage		Standard 4 x 4 Octagon Box			
LED	1	20w	20w	Solid State Module	3000k	90+	1700	1190 estimated	120v	SPECIAL NOTES				

**ABRA LIGHTING**  
NEOTERIC DESIGN

12151 Madera Way Riverside California 92503  
Phone: 949-940-1155 • Toll Free 800-295-7121  
www.abralighting.com

<b>Project Name</b>			
<b>Date</b>		<b>Type</b>	