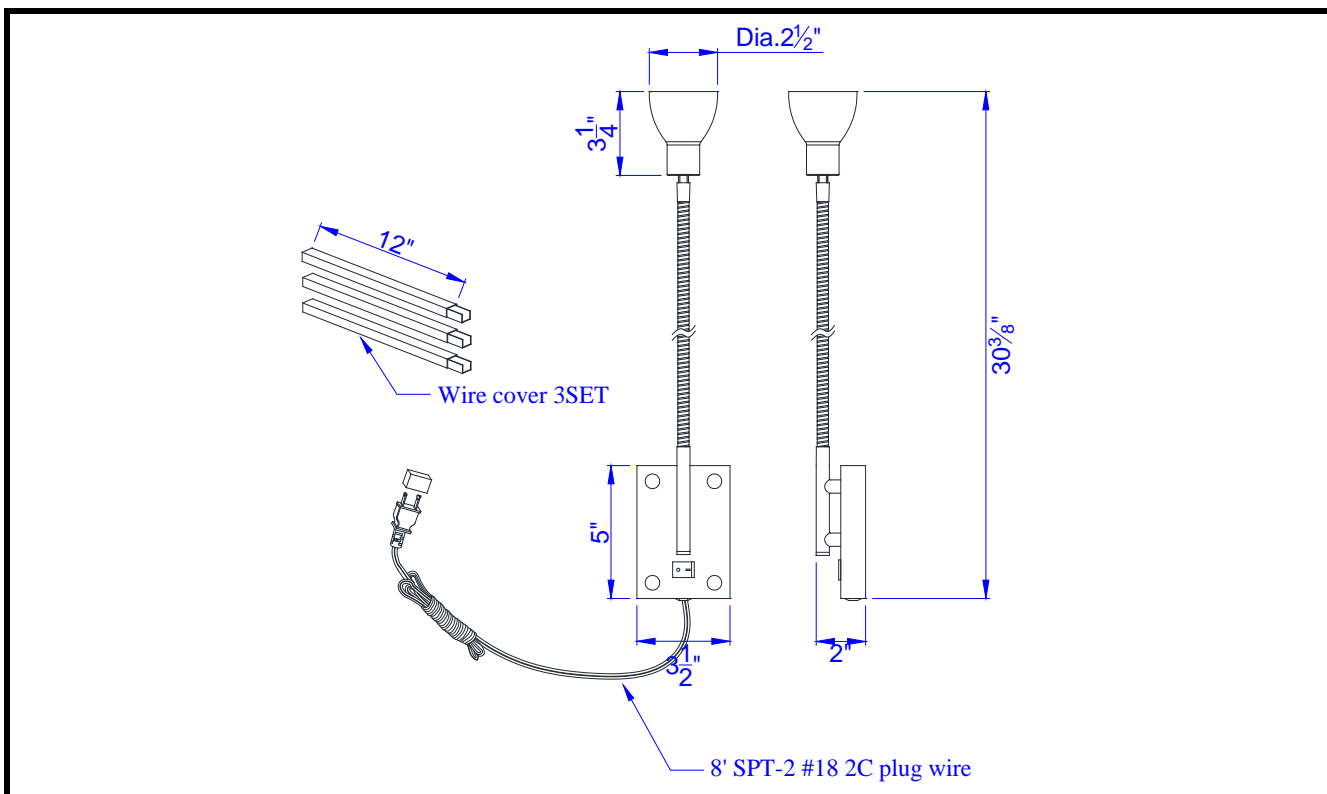




# CAL LIGHTING

3625 E. Philadelphia St. Ontario CA. 91761 • Tel: 909.947.5200 • Fax:  
909.947.5673 • www.calighting.com • service@calighting.com •  
Specifications subject to change without notice

Type: \_\_\_\_\_  
Project: \_\_\_\_\_  
Catalog No.: \_\_\_\_\_  
Lamp/Wattage: \_\_\_\_\_



- Model No. :** BO-119
- Description:** 450Lumen LED goose-neck Spotlight with 3' metal wire covers (bulb included)
- Material:** Metal
- Finish :** BS (Brushed Steel)
- Height:** 30 3/8"
- Base Width:** 5"x 3 1/2"
- Socket:** GU10
- Switch:** Rocker Switch
- Voltage :** 120V
- Wattage :** LED 6W
- Wire:** 8' Silver
- Dimming:** Non-dimmable
- Color Tem :** 4000K+/-200K
- Lumen :** 450
- CRI :** 80
- Beam:** 30 dgree
- Rate Life :** 30,000 hours
- Warranty:** Three Years

**Certificate :** 