

Assembly Instruction Sheet #IS-TF1427T For Style TF1427T

Quoizel, Inc.
 6 Corporate Parkway
 Goose Creek, SC
 29445

Customer Service
 Phone 631.273.2700
 Fax 631.231.7102
 www. quoizel. com

Tools Required: None

Bulb Recommended: (2) Medium Base 75W Maximum

Estimated Assembly Time: 15-20 minutes

Preparation: Identify and inspect all parts before beginning installation. Check package content list and diagrams below to be sure all parts are present. If any parts are missing or damaged, do not attempt to assemble, install, or operate the fixture. Contact customer service for replacement parts.

Warnings and Cautions

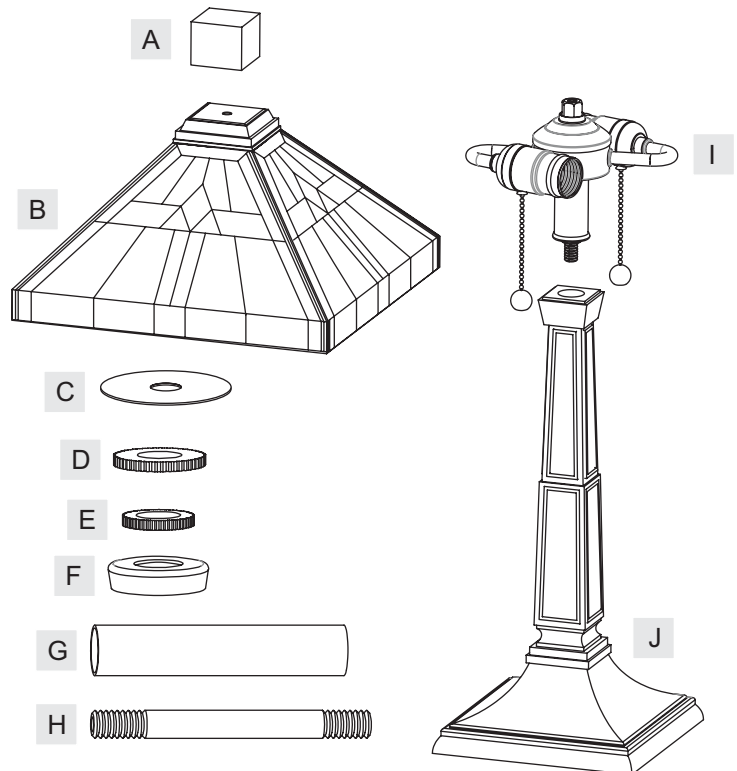
Turn off electricity at circuit breaker or main fuse box before installation. Consult a licensed electrician if in doubt.

These instructions are provided for your safety. It is very important you read them completely before installing the fixture. We strongly recommend that a licensed, professional electrician perform the installation.

Disconnect fixture from power source before replacing bulbs. Make sure bulbs are given sufficient time to cool before removal. Do not subject glass parts to any shock while in operation or shattering may result.

Package Contents

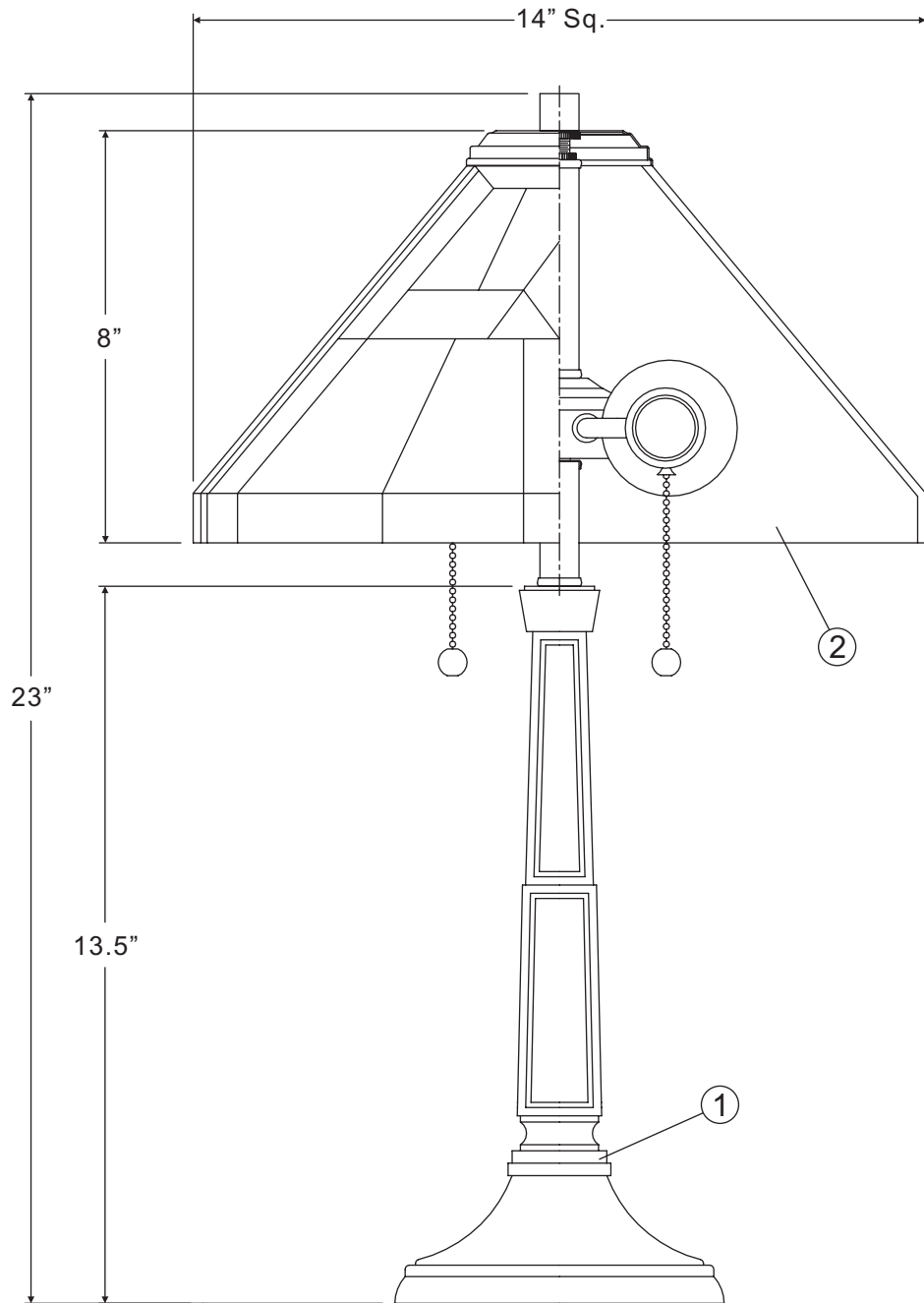
Part	Description	Quantity
A	Finial	1 pc.
B	Shade	1 pc.
C	Flat Washer	1 pc.
D	Big Knurled Nut	1 pc.
E	Small Knurled Nut	1 pc.
F	Check Ring	1 pc.
G	Tube	1 pc.
H	Center Stem	1 pc.
I	Socket Assembly	1 pc.
J	Base	1 pc.



Thank you for purchasing a Quoizel product.

**Need assistance with parts or assembly? Call Quoizel customer service at 1-631-273-2700
 or visit us on-line at www. quoizel. com**

TF1427T



(2)75W
Medium Base Bulb
(Not Supplied)

NOTE: ALL DIMENSIONS ARE ROUNDED UP TO THE NEAREST 1/2"

NO.	PART NUMBER	REPLACEMENT PART DESCRIPTION	REQ.
1	11427TTF	BASE TF1427TTF	1
2	G3427SH	GLASS SHADE TIFFANY 16"D X 8"H	1

STEP 1 – attach Socket Assembly to Base

A. Thread Socket Assembly (I) to Base (J), hand tighten until snug.

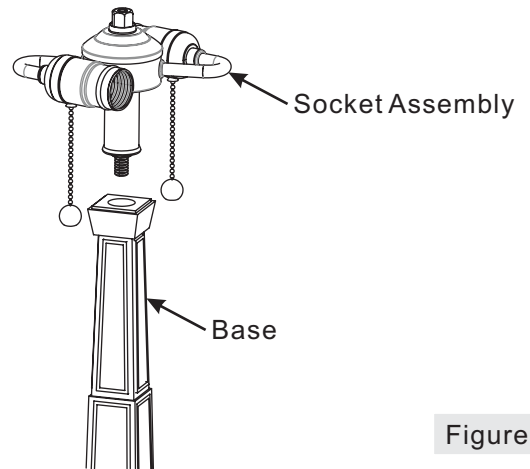


Figure 1

STEP 2 – attach Center Stem to Fixture Body

A. Thread one end of Center Stem (H) into Hex Coupling on the top of Socket Assembly (I).
B. Please Tube (G) and Check Ring (F) over the Center Stem (H). Secure by thread Small Knurled Nut (E) onto the Center Stem (H), hand tighten until snug.

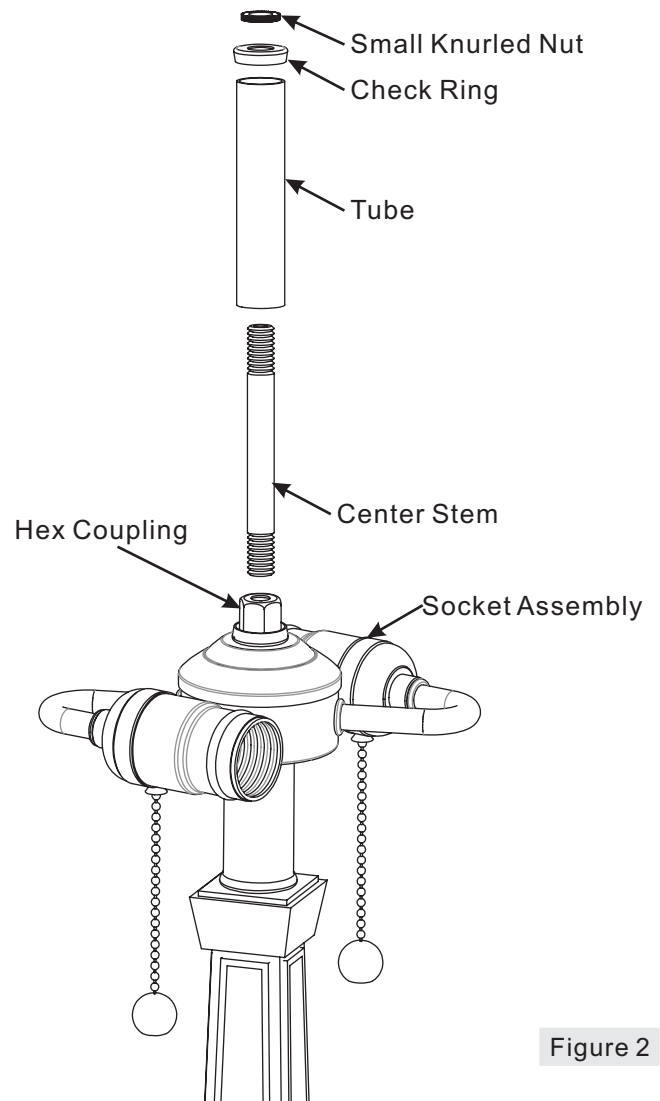


Figure 2

Thank you for purchasing a Quoizel product.

**Need assistance with parts or assembly? Call Quoizel customer service at 1-631-273-2700
or visit us on-line at www. quozel. com**

STEP 3 – Attach Shade to Fixture Body

- A. Thread Big Knurled Nut (D) onto Center Stem (H). Hand tighten until snug.
- B. Place the Flat Washer (C) and the Shade (B) over Center Stem (H). Adjust the Big Knurled Nut (D) to proper location for the Flat Washer (C), the Shade (B) and Finial (A). Secure by thread Finial (A) onto the Center Stem (H), hand tighten until snug.

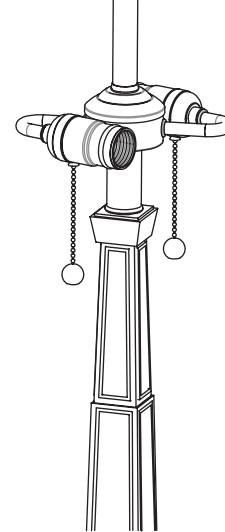
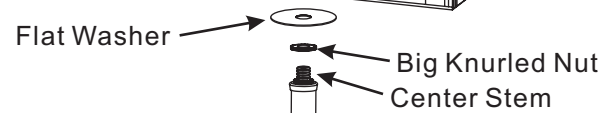
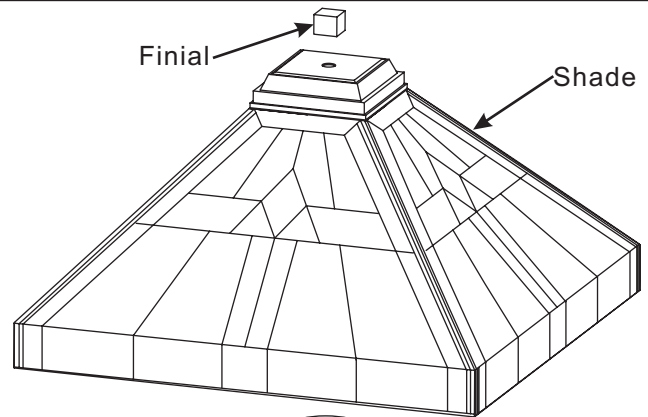


Figure 3

STEP 4 – Install Bulb

- A. This fixture uses standard bulb with standard screw base . Maximum 75 watts.
- B. Insert bulb and screw snugly into place.

Your lamp is now assembled and ready to use.
Enjoy!

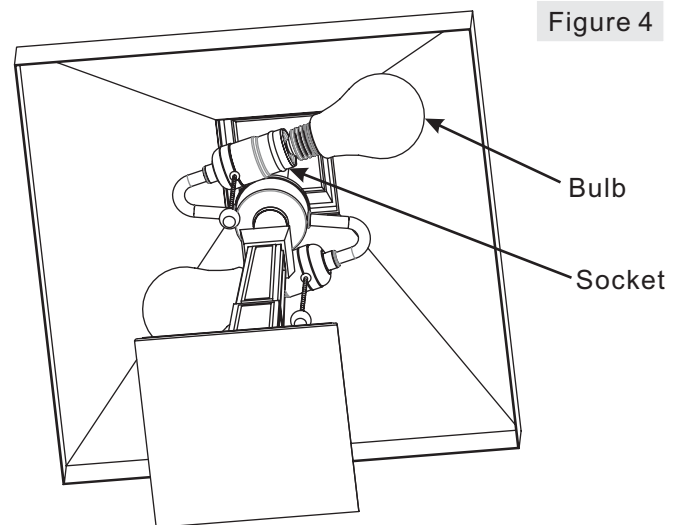


Figure 4

Thank you for purchasing a Quozel product.

Need assistance with parts or assembly? Call Quozel customer service at 1-631-273-2700
or visit us on-line at www. quozel. com