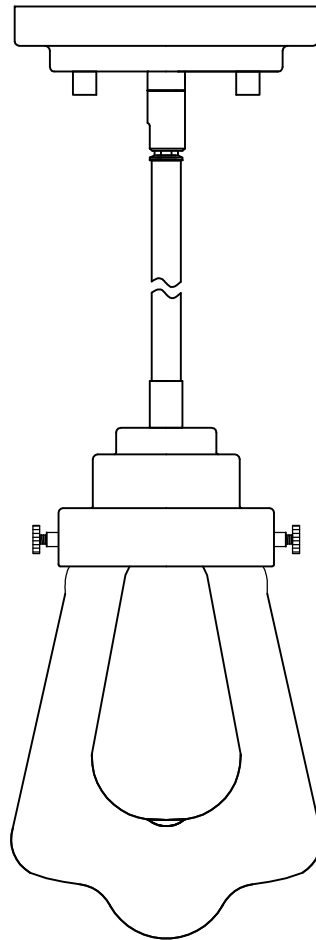




PRODUCT NAME: Cape Cod Single Pendant
ITEM NUMBER: 91331CLWZ

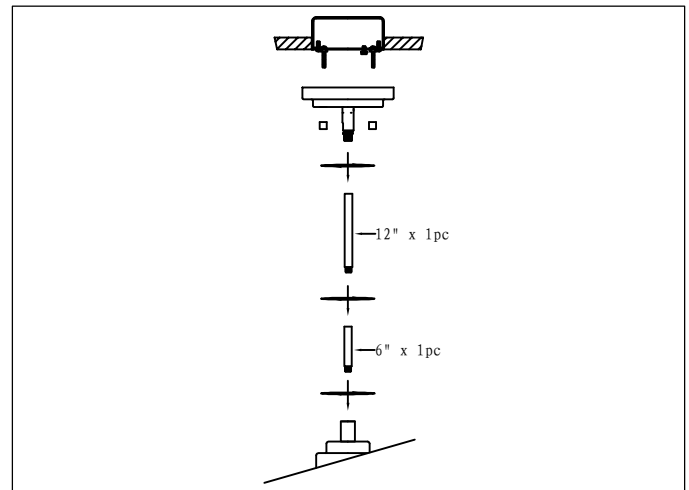
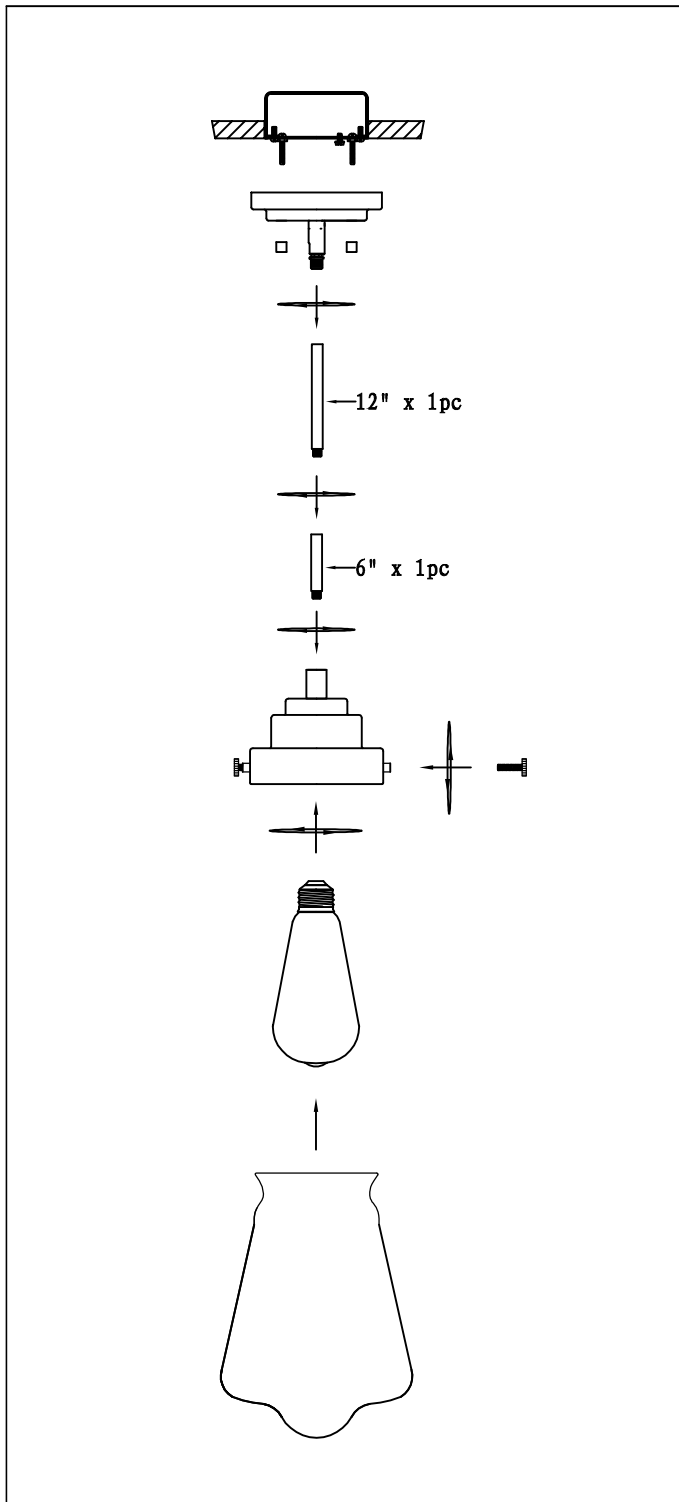
Please consult a qualified electrician for hanging fixture and wiring.



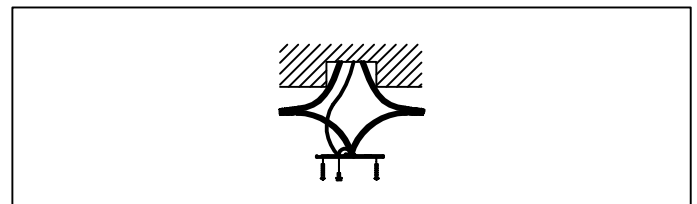
Bulb (not included): 1*60W E26 Bulb

IMPORTANT: Turn off the power at the main fuse or circuit breaker box before starting installation

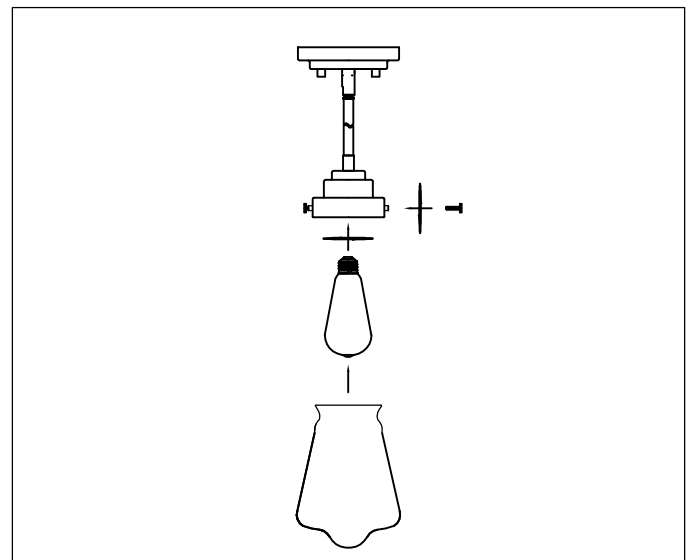
Locate all hardware & components before discarding packaging



1. Remove mounting bracket from fixture and install to electrical box
2. Run wire through stems and combine stem lengths to meet desired mounting height.



3. Wire fixtures to wires in outlet box. Copper wire is for grounding.



4. Install 1 max 60W E26 bulb into socket.
5. Use locking screws to secure glass to cup.

Cleaning & Care:
Clean with soft cloth and a mild detergent.
Do not use abrasive cleaner