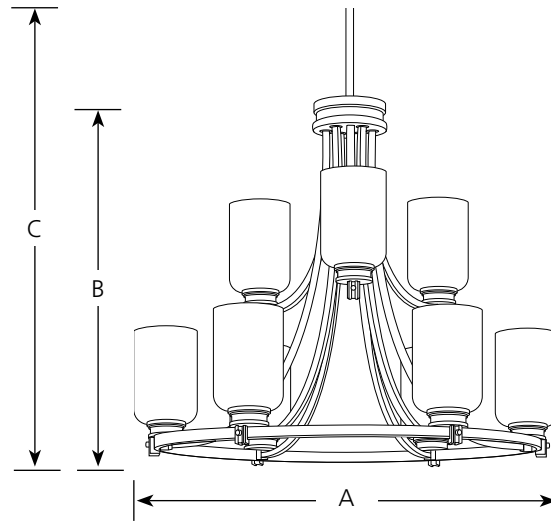


Catalog No.	Finish		Lamping	Dimensions (Inches)		
	Brushed Nickel	Antique Bronze		A	B	C
P4663	-09	-20	9 (m) 100w	27	23-3/4	89

Type	-09	-20
P4663	<input type="checkbox"/>	<input type="checkbox"/>



**Specifications:**

General

- Opal etched glass shades: 4" dia.
- Plated Brushed Nickel (-09) finish
- Painted Antique Bronze (-20) finish
- Steel construction
- One 6", four 12" lengths of stem included
- 6 links of 9 gauge chain included
- Companion Bath and Vanity, Chandelier, Close-to-ceiling, Pendant, fixtures are available

Mounting

- Ceiling stem mounted with 6 links of chain mount
- Canopy covers a standard 4" hexagonal recessed outlet box
- Threaded socket ring secures glass
- Mounting strap for outlet box included

Electrical

- Medium base ceramic sockets
- 15 feet of wire supplied
- Pre-wired

Labeling

- UL-CUL Dry location listed