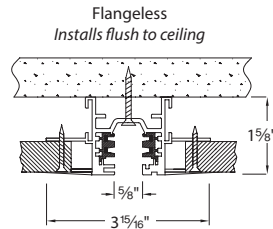
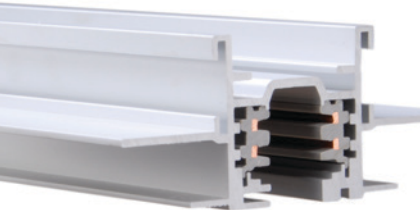
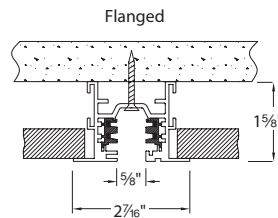


W Track System - Recessed



Fixture Type:

Catalog Number:

Project:

Location:

PRODUCT DESCRIPTION

Architectural grade recessed track with flangeless option with two independently controllable circuits.

FEATURES

- Power per Circuit: 1920W max (120V) , 4432W max (277V)
- Operating Current: Each circuit is rated 20A (2 x 20A = 40A max)
- Extruded aluminum construction
- UL & CUL listed
- 5 year WAC Lighting product warranty

SPECIFICATIONS

Materials: Solid copper alloy bus bars with a rectangular cross-sectional area of 4.2 mm²

Electrical: Electric feed capability through all jointers/feeders (except Power Connector and Flexible Connector) using standard 1/2 inch knock-outs

Mounting: Fixtures may be installed or removed anywhere along the track. Minimum fixture spacing is 1 foot. Track fixture has safety interlocks when installed/removed. Polarization is guaranteed throughout the system

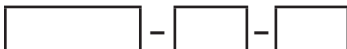
Finish: Available in black powder coat (**BK**), white powder coat (**WT**), and platinum anodized (**PT**) finishes

Standards: UL & CUL listed

ORDER NUMBER

| Model | Length | Type | Finish |
|-----------------|---------------|--------------------------------|--------------------|
| WT 120V | 4 4' | RT Recessed Flanged | BK Black |
| WHT 277V | 8 8' | RTL Recessed Flangeless | PT Platinum |
| | 12 12' | | WT White |

Each section includes two matching end caps.



Example: **WHT4-RT-PT**

waclighting.com
Phone (800) 526.2588
Fax (800) 526.2585

Headquarters/Eastern Distribution Center
44 Harbor Park Drive
Port Washington, NY 11050


Central Distribution Center
1600 Distribution Ct
Lithia Springs, GA 30122

Western Distribution Center
1750 Archibald Avenue
Ontario, CA 91760

W Track System - Recessed

| Accessories | Flanged | Flangeless | Model | Voltage | Flanged/Flangeless | Finish | Description |
|--|---|---|-----------------------------|--------------|--|-----------------------|---|
| Live End Connector – Left polarity |  |  | WEDL WHEDL | 120V 277V | RT RTL | Flanged Flangeless | BK PT WT Use for direct wiring through ceiling. |
| Live End Connector – Right polarity |  |  | WEDR WHEDR | 120V 277V | | | |
| "I" Connector |  | | WPC WHPC | 120V 277V | RT | Universal | BK PT WT Use to join two sections of track with electrical continuity. |
| "I" Power Connector |  |  | WIC WHIC | 120V 277V | RT RTL | Flanged Flangeless | BK PT WT Power entry point at the connection of two tracks. |
| "L" Connector – Left |  |  | WLLC WHLLC | 120V 277V | RT RTL | Flanged Flangeless | BK PT WT Use to join 2 track sections to make power feedable 90° left polarity turns. |
| "L" Connector – Right |  |  | WRLC WHRLC | 120V 277V | | | |
| "T" Connector – Left |  |  | WLTC WHLTC | 120V 277V | RT RTL | Flanged Flangeless | BK PT WT Use to join 3 track sections. Power feedable. Polarity on outside edge. |
| "T" Connector – Right |  |  | WRTC WHRTC | 120V 277V | | | |
| "X" Connector |  |  | WXC WHXC | 120V 277V | RT RTL | Flanged Flangeless | BK PT WT Use to join 4 track sections. Power feedable. |
| Track Cover |  | | W8-COV-WT | | 8 foot W track cover Can be field-cut and painted | | |

Track Current Limiter

| | | Model | Volt | Flanged/Flangeless | Rating | Finish | Description |
|------------------|---|-----------------------------|--------------|-------------------------|--|-------------------------------------|---|
| Live end - Left |  | WEDL WHEDL | 120V 277V | RT RTL | 1A 1 Amp 2A 2.5Amp 5A 5 Amp 7A 7.5Amp 10A 10Amp 12A 12Amp | BK PT WT | Easy to install and assures compliance to California Title 24 or ASHRAE 90.1 requirements |
| Live end - Right | | WEDR WHEDR | 120V 277V | | | | |

waclighting.com
Phone (800) 526.2588
Fax (800) 526.2585

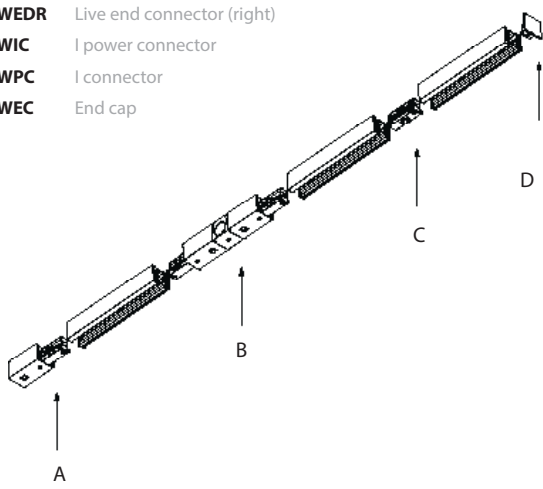
Headquarters/Eastern Distribution Center
44 Harbor Park Drive
Port Washington, NY 11050

Central Distribution Center
1600 Distribution Ct
Lithia Springs, GA 30122

Western Distribution Center
1750 Archibald Avenue
Ontario, CA 91760

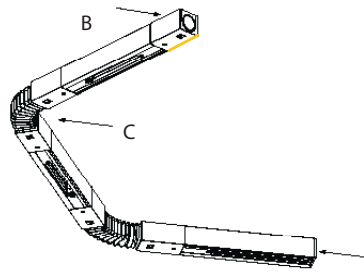
Straight Configuration

- A WEDR** Live end connector (right)
- B WIC** I power connector
- C WPC** I connector
- D WEC** End cap

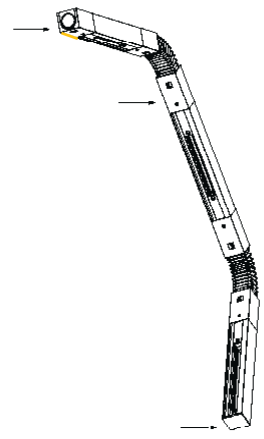


Flexible Configurations

- A WEDR** Live end connector (right)
- B WEDL** Live end connector (left)
- C WFC** Flexible connector
- D WEC** End cap



Horizontal Ceiling Mount

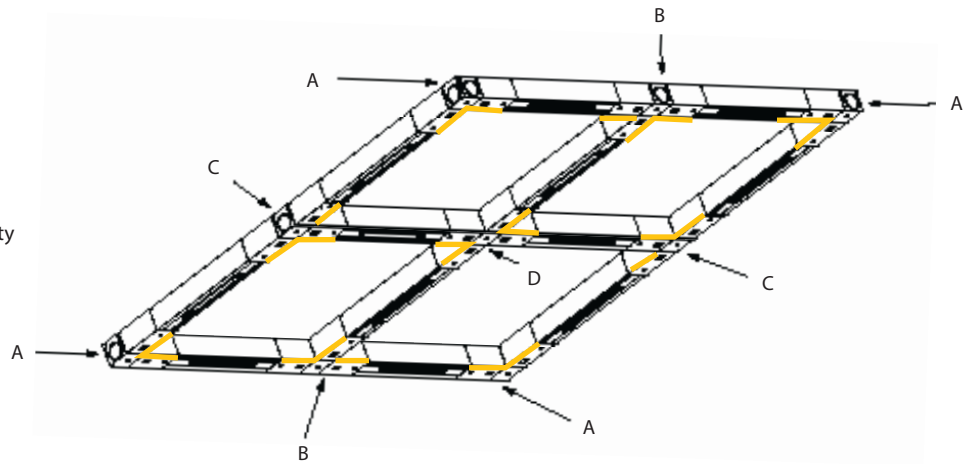


Vertical Wall-to-Ceiling Mount

Grid Configuration

- A WLLC** L Connector Left
- B WLTC** T Connector Left
- C WRTC** T Connector Right
- D WXC** X Connector

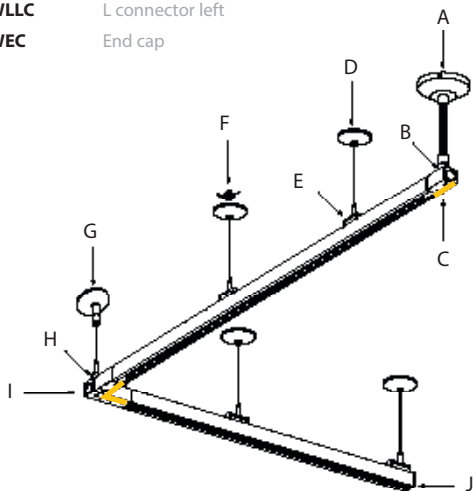
= Indicates Electrical Continuity



Cable Suspension Mount

- A WMFP** Flexible Stem kit with power feed
- B WMED** Live end suspension mount
- C WEDL** Live end connector (left)
- D WMST-X** Cable suspension kit
- E WMT** Suspension hanger clip
- F WMST-TB** T bar cable suspension kit
- G WMST-XS** Sloped ceiling cable kit
- H WMLC** L connector suspension mount
- I WLLC** L connector left
- J WEC** End cap

Use one support for every 4 feet



Stem Suspension Mount

- A WMSP** Stem kit with power feed
- B WMED** Live end suspension mount
- C WEDR** Live end connector (right)
- D WMT-XS** Sloped ceiling stem kit
- E WMT** Suspension hanger clip
- F WMT-TB** T bar stem kit
- G WMT-X** Stem kit
- H WMLC** L connector suspension mount
- I WLLC** L connector left
- J WEC** End cap

