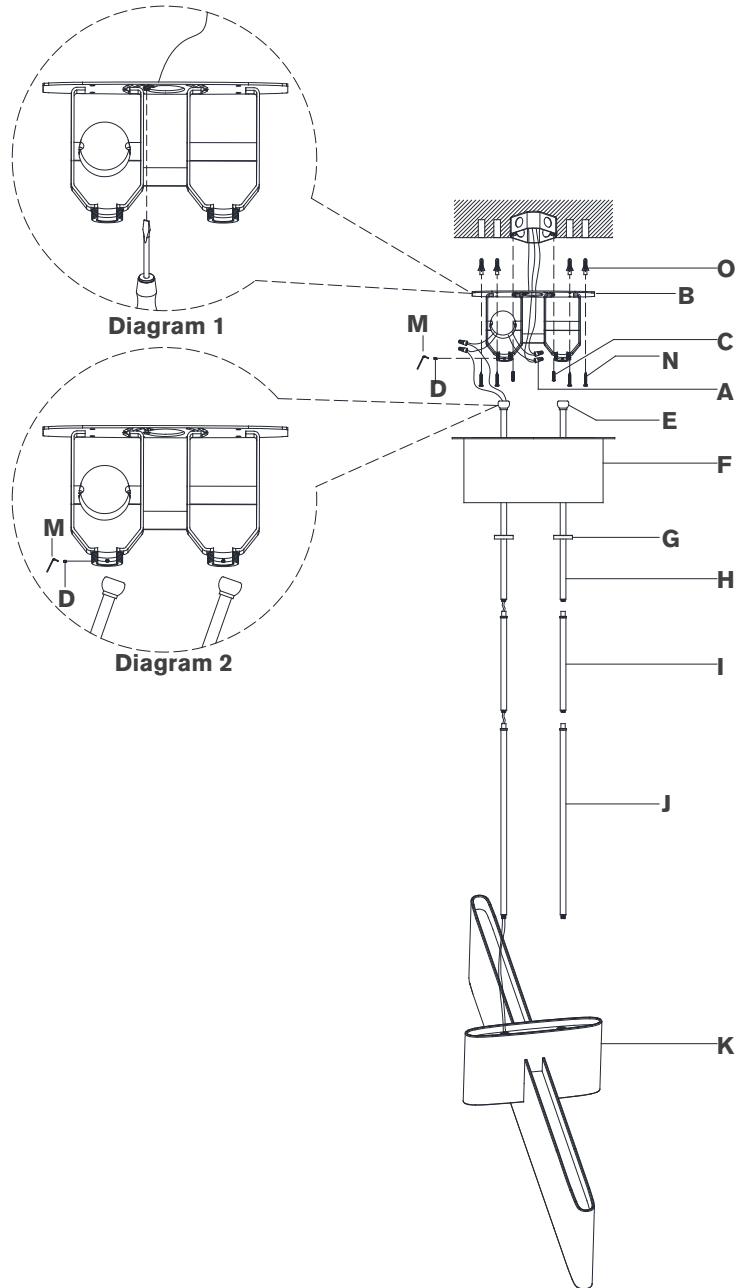


ASSEMBLY INSTRUCTIONS



Lotura 48" Intersecting Linear Pendant

Item # KW5448

NOTICE:

This light fixture should be installed in accordance with all applicable, local installation codes, and by a person familiar with the construction and operation of it, as well as the hazards involved. Inspect item and contents carefully. If any damage or defect is found, do not install. Retain all packaging material until installation is complete and approved.

TOOLS REQUIRED (NOT INCLUDED):

| | | |
|----------------------|---------------------|----------------|
| Phillips Screwdriver | Slotted Screwdriver | Wire Strippers |
| Wire Cutters | Drill | Pencil |
| Hammer | | |

1. Carefully remove all parts from the box. Place on a clean, soft surface.
2. Remove mounting plate (B) from canopy (F) by removing collar ring (G).
3. Using mounting plate (B) as a guide, line up with the junction box and mark anchor positions.
4. Using a drill bit slightly smaller than the anchor, drill holes in the marked positions. Install anchors (O) into the holes using hammer.
5. Install mounting plate (B) to the junction box and secure with mounting screws (C), then secure wood screws (N) to anchors (O).
6. Connect supply ground wire (usually green or bare copper) around the green grounding screw (see diagram 1). Tighten.
NOTE: It is imperative that the fixture is grounded.
7. Connect driver input neutral wire (white) to the supply neutral wire (usually white) using wire nut (A).
8. Connect driver input hot wire (black) to the supply hot wire (usually black) using wire nut (A).
CAUTION: Do not reverse the hot and neutral connections.
9. Feed electrical wires through bottom rods (J) and connect to fixture (K). Repeat for middle rods (I), connecting to bottom rods (J).
10. Continue feeding wires through collar rings (G), canopy (F) and top rods (H).

