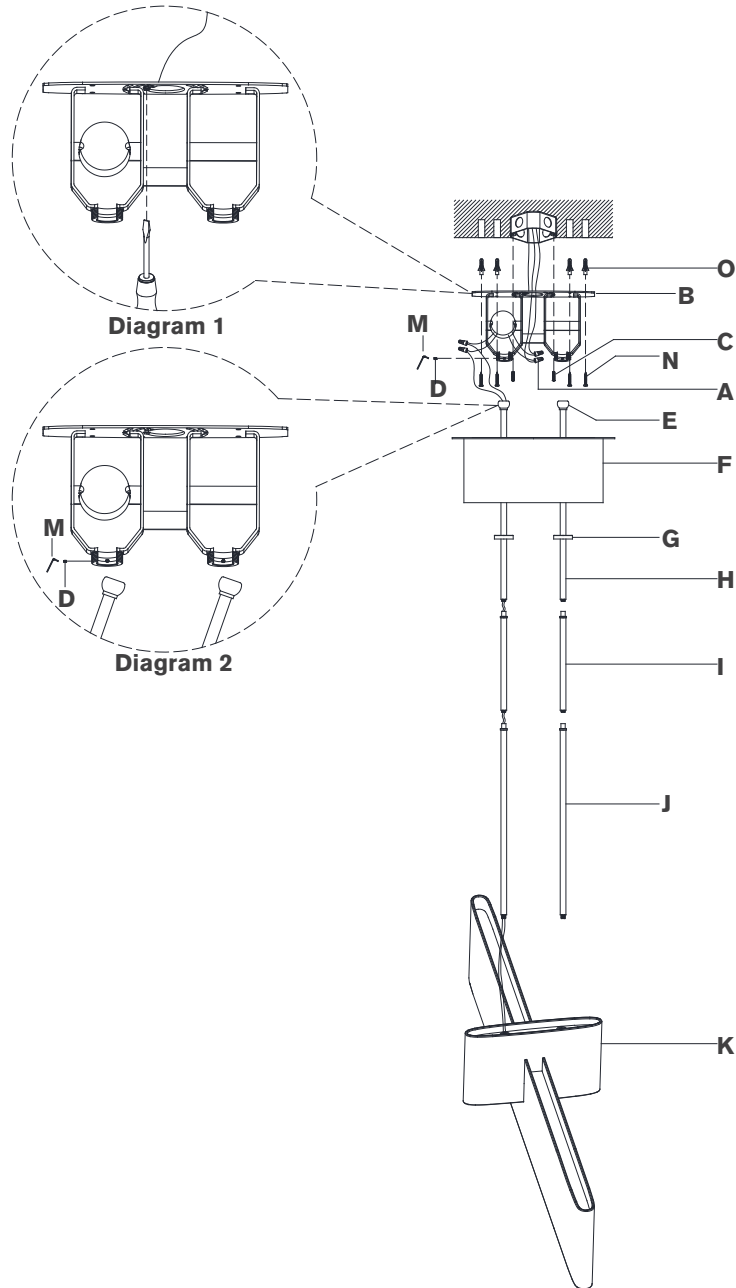


ASSEMBLY INSTRUCTIONS



Lotura 36" Intersecting Linear Pendant

Item # KW5446

NOTICE:

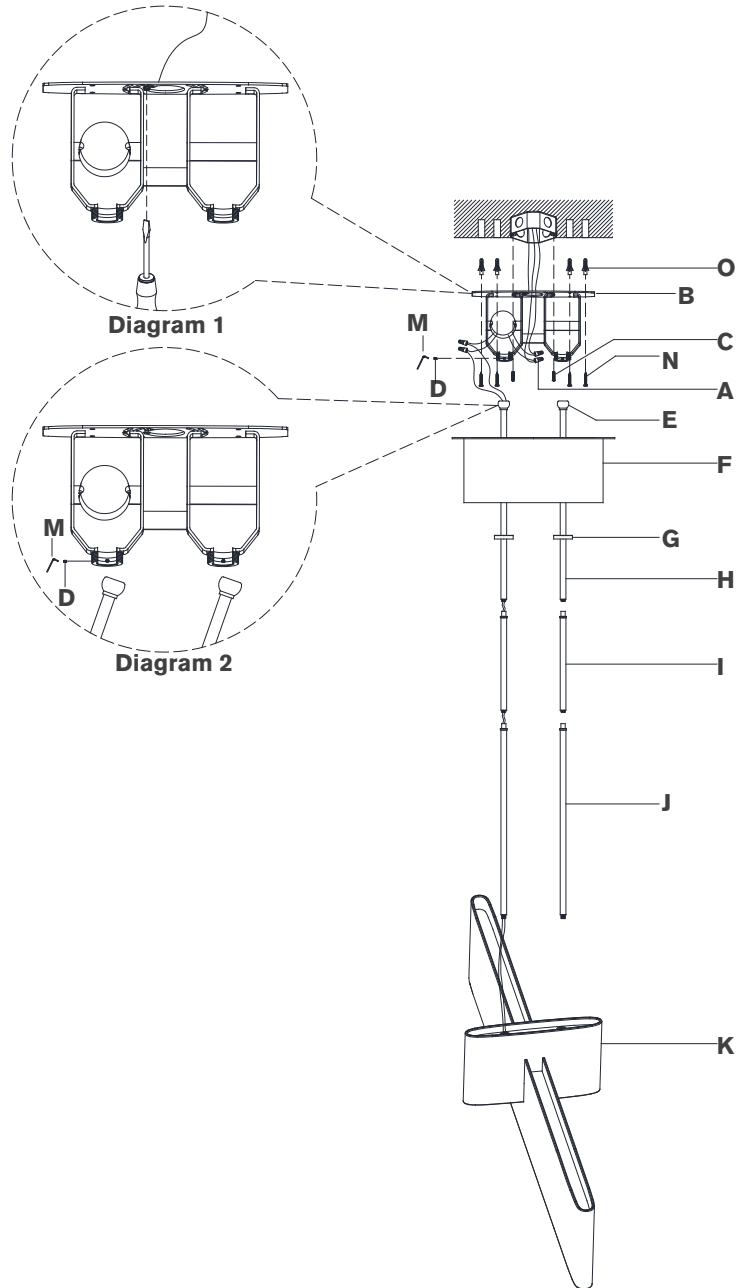
This light fixture should be installed in accordance with all applicable, local installation codes, and by a person familiar with the construction and operation of it, as well as the hazards involved. Inspect item and contents carefully. If any damage or defect is found, do not install. Retain all packaging material until installation is complete and approved.

TOOLS REQUIRED (NOT INCLUDED):

Phillips Screwdriver	Slotted Screwdriver	Wire Strippers
Wire Cutters	Drill	Pencil
Hammer		

1. Carefully remove all parts from the box. Place on a clean, soft surface.
2. Remove mounting plate (B) from canopy (F) by removing collar ring (G).
3. Using mounting plate (B) as a guide, line up with the junction box and mark anchor positions.
4. Using a drill bit slightly smaller than the anchor, drill holes in the marked positions. Install anchors (O) into the holes using hammer.
5. Install mounting plate (B) to the junction box and secure with mounting screws (C), then secure wood screws (N) to anchors (O).
6. Connect supply ground wire (usually green or bare copper) around the green grounding screw (see diagram 1). Tighten.
NOTE: It is imperative that the fixture is grounded.
7. Connect driver input neutral wire (white) to the supply neutral wire (usually white) using wire nut (A).
8. Connect driver input hot wire (black) to the supply hot wire (usually black) using wire nut (A).
CAUTION: Do not reverse the hot and neutral connections.
9. Feed electrical wires through bottom rods (J) and connect to fixture (K). Repeat for middle rods (I), connecting to bottom rods (J).
10. Continue feeding wires through collar rings (G), canopy (F) and top rods (H).

ASSEMBLY INSTRUCTIONS



Lotura 36" Intersecting Linear Pendant

Item # KW5446

NOTICE:

This light fixture should be installed in accordance with all applicable, local installation codes, and by a person familiar with the construction and operation of it, as well as the hazards involved. Inspect item and contents carefully. If any damage or defect is found, do not install. Retain all packaging material until installation is complete and approved.

11. Holding fixture upright, slide collar rings (G) and canopy (F) down and rest on fixture (K). Then connect top rods (H) to middle rods (I).
NOTE: Slide components down slowly to avoid damages.
12. Hang fixture swivel balls (E) to center of mounting plate (B) and secure with set screws (D) using provided wrench (M). See diagram 2.
13. Cut excess wire, being sure to leave enough to reach the junction box. Separate wires, and strip insulation on each 5/8".
14. Connect fixture neutral wire (black) to driver output wire (black) using wire nut (A).
15. Connect fixture hot wire (red) to driver output wire (red) using wire nut (A).
CAUTION: Do not reverse the hot and neutral connections.
16. Make sure all wire connections are tight, then carefully tuck into the junction box.
17. Install canopy (F) to mounting plate (B) and secure with collar rings (G).

Care Instructions: Clean only with a soft dry cloth or feather duster. Do not use abrasive or chemical agents.