

Please go to www.quezel.com for product cleaning tips. Go to the **Care + Maintenance** selection.

Tools Required: Flathead screwdriver, Phillips screwdriver, pliers, wire cutters, wire strippers, electrical tape, safety glasses.

Light Source: (1) A19 Medium Base Bulb 100W Maximum, Medium Base Vintage Bulb is recommended, bulb not included.

Estimated Assembly Time: 20-30 minutes

Preparation: Identify and inspect all parts before beginning installation. Check package content list and diagrams below to ensure all parts are present. If any parts are missing or damaged, do not attempt to assemble, install, or operate the fixture. Contact your original place of purchase.

Fixture can only be mounted in the direction indicated on page 2.

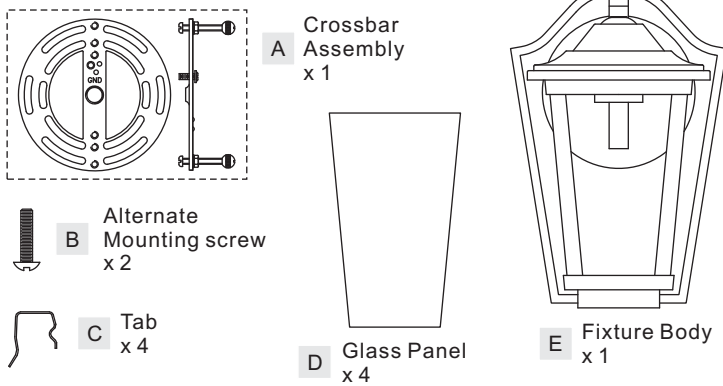
⚠ Warnings and Cautions

Turn off electricity at circuit breaker or main fuse box before installation. Consult a licensed electrician if in doubt.

These instructions are provided for your safety. It is very important you read them completely before installing the fixture. We strongly recommend that a licensed, professional electrician perform the installation.

Disconnect fixture from power source before replacing bulbs. Make sure bulbs are given sufficient time to cool before removal.

Package Contents



STEP 3 - Install Glass Panels

A. Place the Glass Panel (D) into the slot in the bottom edge of the cage. Secure the Glass Panel (D) by pressing the Tab (C) onto the top edge of the Glass Panel (H) and the slot on the top edge of the cage.

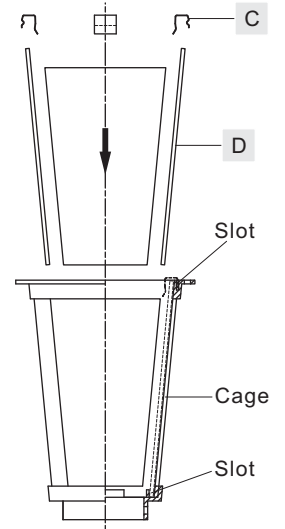


Figure 3

STEP 1 - Remove Arm and Cage

- A. Unlock lock balls in the bottom edge of the cage and remove the arm from the Fixture Body (E).
- B. Unscrew screws on the top edge of the cage and remove the cage from the Fixture Body (E).

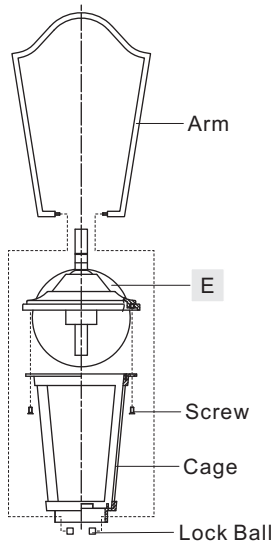


Figure 1

STEP 4 - Install Cage and Arm to Fixture Body

- A. Place the cage over the bulb, attach to the fixture hood on the Fixture Body (E) and secure with previously removed screws. Hand tighten until snug with screwdrivers.
- B. Place bolts on the bottom end of the arm to holes on the bottom edge of the cage and secure with previously removed lock balls. Hand tighten until snug.

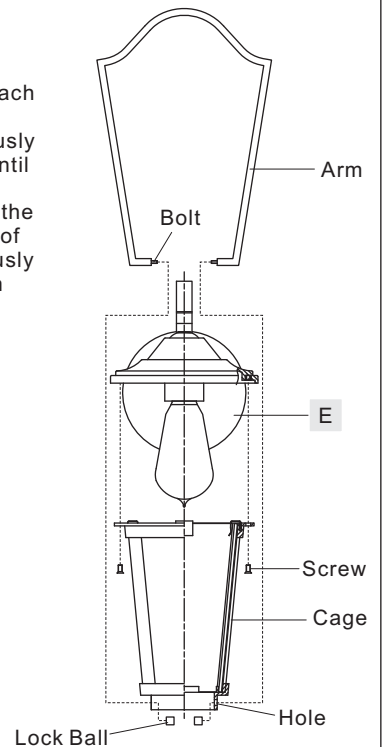


Figure 4

STEP 2 - Install Bulb

- A. Insert the bulb onto the socket and screw snugly into place.

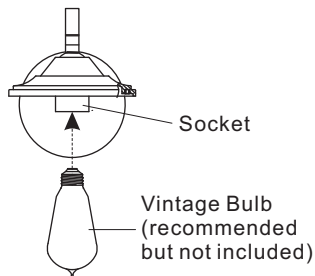


Figure 2

STEP 5 – Installing the Crossbar Assembly

- A. Pass the supply wires through the Crossbar Assembly (A). Attach the Crossbar Assembly (A) to the outlet box with the head of the green ground screw facing you. Secure the Crossbar Assembly (A) with outlet box screws (not included). Tighten until snug.
 Note: Use the Alternate Shorter Mounting Screw (B) if your installation requires a shorter mounting screw.

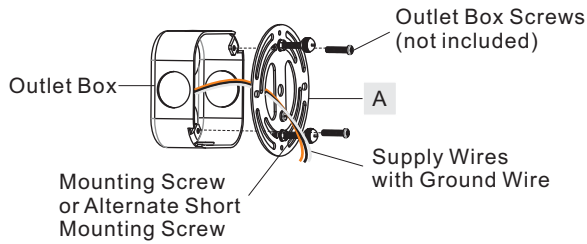


Figure 5

STEP 6 – Test Fit the Backplate to the Crossbar Assembly

- A. Remove the mounting balls from the Crossbar Assembly (A). Place the backplate and Fixture Body (E) onto the Crossbar Assembly (A) and secure with mounting balls. Note: The backplate and Fixture Body (E) should be snug against the wall and held tight with the mounting balls. If it is not, adjust the length of the mounting screws or alternate short mounting screws on the Crossbar Assembly (A) by unscrewing the preassembled hex nut and lock washer and then screwing the mounting screws or alternate short mounting screws in or out of the crossbar until the correct length is achieved. Once the backplate and Fixture Body (E) is secure, remove the mounting ball and Fixture Body (E).

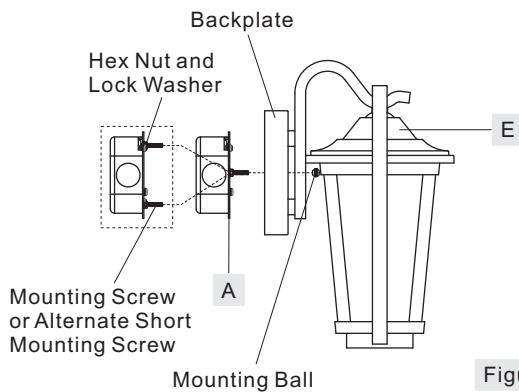


Figure 6

STEP 7 - Wire Connections

- A. Wrap bare or green ground wire around green ground screw on the crossbar, no less than 2 inches from the end of the wire. Tighten the green ground screw.
 B. Use standard wire connectors (not included) to make all wire connections. Twist connectors until wires are tightly joined together. Wrap each connection with approved electrical tape and carefully stuff all the connected wires into the Outlet Box.

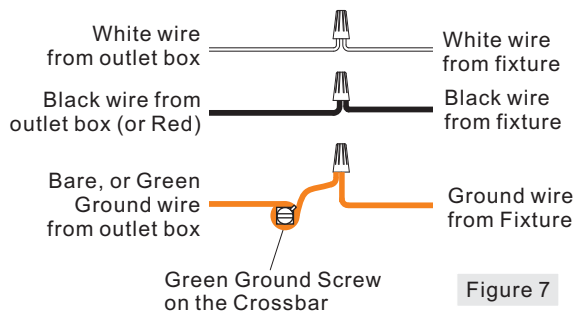


Figure 7

STEP 8 – Install the Fixture Body

- A. Position the backplate and Fixture Body (E) onto the Crossbar Assembly (A). Place the holes in the backplate over the mounting screws or alternate short mounting screws. Secure the Fixture Body by using the mounting balls and hand tighten the mounting balls until snug.

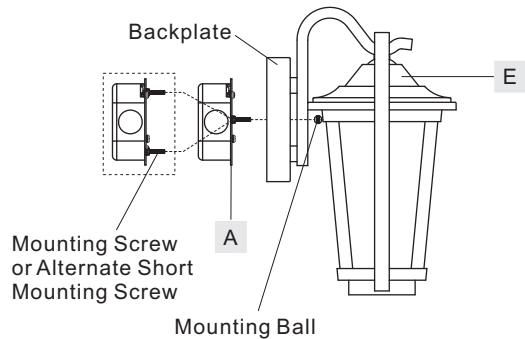


Figure 8

STEP 9 – Apply Silicone Sealer

- A. Make sure the exterior wall surface and fixture backplate are free of dirt before applying caulk. Using exterior grade caulk, caulk over top of backplate and down both sides. Do not caulk the bottom of the fixture backplate to ensure proper moisture drainage.

Your fixture is now assembled and ready to use. Enjoy!

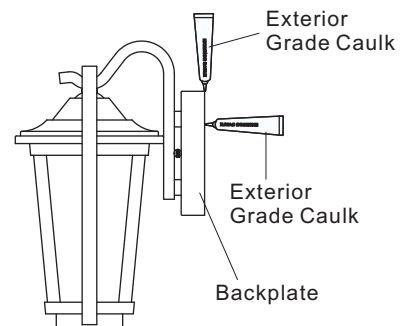


Figure 9

HOW TO REPLACE BULB

- A. Refer to Step 1 to remove the arm and the cage from the fixture body.
 B. Refer to Step 2 to replace the bulb.
 C. Refer to Step 4 to reinstall the cage and the arm to the fixture body.

HOW TO REPLACE GLASS PANEL

- A. Refer to Step 1 to remove the arm and the cage from the fixture body.
 B. Refer to Step 3 to replace the glass panel.
 C. Refer to Step 4 to reinstall the cage and the arm to the fixture body.

DRS8407EK

FINISH: EARTH BLACK

NOTE: ALL DIMENSIONS ARE ROUNDED UP TO THE NEAREST 1/4"

