

# NQZ2-81TWTW-MPW

8" Quartz LED Downlight with Selectable Lumens & Selectable CCT

Source: 15W to 25W LED  
1650lm to 2700lm

Type
Project
Catalog No.
Notes

## PRODUCT DESCRIPTION

Quartz Series series is an architectural and commercial grade LED high lumen downlight. Each luminaire includes two tunable switches; Selectable Lumens allows the end user to determine the wattage input & Selectable CCT changes the color temperature appearance. Reflectors include two tension steel spring clips, which allow the luminaires to install without any frame-in or housing for an easy installation.

## FEATURES

- Can-less installation (No frame-in or housing required)
- Easy installation for retrofit, remodel or new construction applications
- Selectable Lumen switch changes output from 1650lm to 2700lm
- Selectable CCT switch changes color temperature from 3000K / 3500K / 4000K
- Field changeable reflector allows for easy customization
- Shatter resistant lens
- 120-277V input and 0-10V dimming
- 5-year limited warranty
- ENERGY STAR certified
- cULus Listed for Wet Locations

## SPECIFICATION

**Reflector:** Aluminum spun reflector with deep set diffused lens for excellent visual comfort while providing high lumen output. Each reflector comes standard with matte powder white finish, optional snap-in reflectors are available and field changeable.

**Tunable Switches:** Each luminaire includes two switches on the top of the driver enclosure. Selectable Lumen switch changes the lumen output and wattage. Selectable CCT switch changes the color temperature.

**Clearance:** "IC" Insulated ceiling housings are direct contact rated. Not to be used in direct contact with spray foam insulation.

**Mounting:** No housing is required, two tensions steel spring clips accommodate ceiling thickness from 1/2" to 1-1/2". New construction can be ordered separately (NQZ-8R-F). An oversize ring (NQZ-8OR-MPW) can be used to cover ceiling cut-outs up to 10".

## ELECTRICAL

**Input Voltage:** 120-277V  
**Lumens / Wattage:** Selectable Lumens: 1650lm / 15W, 2200lm / 20W and 2700lm / 25W (*Note: Preset to 25W*)  
**Beam Spread:** 91° Wide Flood  
**Color Temperature:** Selectable CCT: 3000K / 3500K / 4000K (*Note: Preset to 3000K*)  
**Color Rendering Index:** 90+CRI  
**Operating Temperature:** 0°C - 40°C  
**Lifetime:** 72,000 hours @ L70  
**Dimming:** Dimmable down to 10% with 0-10V dimmer [Click Here](#) or check complete dimmer list at [www.NoraLighting.com](http://www.NoraLighting.com) in the "Compatibility" page under "Resources" tab

## OPTIONAL ACCESSORIES

**NQZ-8OR-MPW:** 8" Oversize Ring, Matte Powder White  
**NQZ-8R-F:** 8" Universal New Construction Frame-In  
**NQZ-81REFLC:** 8" Specular Clear Snap-in Reflector Insert  
**NQZ-81REFLD:** 8" Clear Diffused Snap-in Reflector Insert  
**NQZ-81REFLHZ:** 8" Haze Snap-in Reflector Insert  
**NEPK-20LEDUNV:** 20W Emergency LED Driver with Remote Test Switch

**Emergency:** Luminaire is compatible with [NEPK-20LEDUNV](#) (ordered separately). Battery operates luminaire at 20W for 90 minute emergency operation with a fully charged battery.

## LABELS AND LISTINGS

- cETLus Listed for Wet Locations
- cETLus classified for retrofit installations
- ENERGY STAR certified
- [5-Year Limited Warranty](#)
- FCC compliant
- Certified to the high efficacy requirements of California Title 24 JA8-2022



## Performance Data

CCT	15W	20W	25W
<b>3000K</b>	1593lm	2060lm	2422lm
<b>3500K</b>	1664lm	2202lm	2645lm
<b>4000K</b>	1575lm	2012lm	2447lm

*Delivered lumens will vary depending on finish*

## PRODUCT IMAGES AND DIMENSIONS



## 8" Quartz LED Downlight with Selectable Lumens & Selectable CCT

Aperture	Lumens / Wattage / Color Temperature	Reflector / Flange Finish
<b>NQZ2-81</b> = 8" Quartz	<b>TWTW</b> = 1650lm / 2200lm / 2700lm 3000K / 3500K / 4000K	<b>-MPW</b> = Matte Powder White

## Optional Accessories

Description
<b>NQZ-8OR-MPW</b> = Oversize Ring, Matte Powder White
<b>NQZ-8R-F</b> = New Construction Frame-In with Collar
<b>NQZ-81REFLC</b> = Specular Clear Snap-in Reflector Insert
<b>NQZ-81REFLD</b> = Diffused Clear Snap-in Reflector Insert
<b>NQZ-81REFLHZ</b> = Haze Snap-in Reflector Insert
<b>NEPK-20LEDUNV</b> = 20W Emergency Battery w/Remote Test Switch

Example: **NQZ2-81TWTW-MPW** = 8" Quartz LED Downlight with Selectable Lumens & Selectable CCT, Matte Powder White

# NQZ2-81WTW-MPW

8" Quartz LED Downlight Accessories

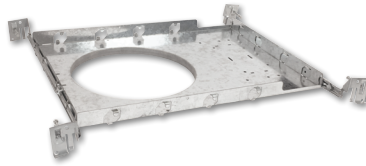
Type	_____
Project	_____
Catalog No.	_____
Notes	_____



Oversize Ring

### NQZ-80R-MPW

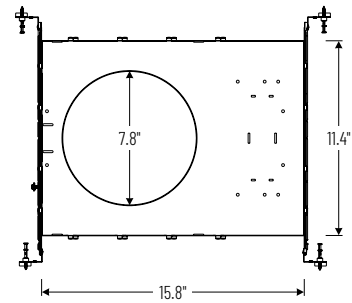
Oversize ring covers ceiling cut-outs up to 10"



New Construction Frame-In with Collar

### NQZ-8R-F

For new construction pre-wiring and easier layout planning.



Specular Clear Reflector Insert

### NQZ-81REFLC

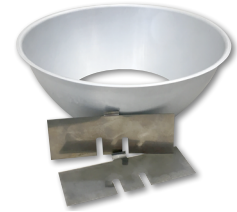
Snap-in reflector is field changeable and fits over 8" Quartz downlight.



Diffused Clear Reflector Insert

### NQZ-81REFLD

Snap-in reflector is field changeable and fits over 8" Quartz downlight.



Haze Reflector Insert

### NQZ-81REFLHZ

Snap-in reflector is field changeable and fits over 8" Quartz downlight.



20W Emergency Battery with Remote Test Switch

### NEPK-20LEDUNV

120-277V 20W emergency battery operates luminaire for 90 minute emergency operation with a fully charged battery. Requires 24 hours to for full charge.

# PHOTOMETRICS

## 8" Quartz LED Downlight with Selectable Lumens & Selectable CCT

Type

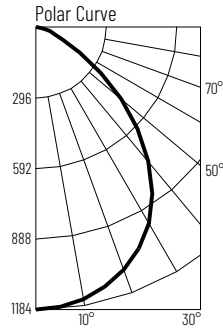
Project

Catalog No.

Notes

### Test Information

Test Number: NTR1967R2  
 Part Number: NQZ2-81TWTW-MPW  
 Beam Spread: 91° Wide Flood  
 Lumens: 2422lm  
 Wattage: 25.5W  
 Efficacy: 95lpw  
 CCT / CRI: 3000K / 90 CRI  
 Spacing Criteria (0°-180°): 1.2  
 Spacing Criteria (90°-270°): 1.2



### Illuminance at a Distance

Distance from Luminaire	FC at Nadir	Beam Diameter
10'	11.8fc	20'-5"
12'	8.2fc	24'-6"
14'	6fc	28'-5"
16'	4.6fc	32'-6"
18'	3.7fc	36'-8"

### Zonal Lumen Summary

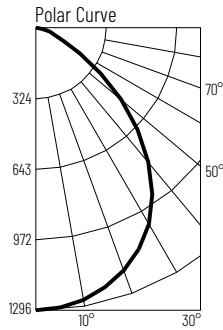
Zone	Lumens	% Luminaire
0-30	747	30.8
0-40	1219	50.3
0-60	2165	89.4
0-90	2422	100
90-180	0	0
0-180	2422	100

### Candela Table

Vertical Angles	Candela
0	1184
5	1178
15	1127
25	1026
35	855
45	607

### Test Information

Test Number: NTR1968R2  
 Part Number: NQZ2-81TWTW-MPW  
 Beam Spread: 91° Wide Flood  
 Lumens: 2645lm  
 Wattage: 24.34W  
 Efficacy: 109lpw  
 CCT / CRI: 3500K / 90 CRI  
 Spacing Criteria (0°-180°): 1.2  
 Spacing Criteria (90°-270°): 1.2



### Illuminance at a Distance

Distance from Luminaire	FC at Nadir	Beam Diameter
10'	13fc	20'-4"
12'	9fc	24'-4"
14'	6.6fc	28'-5"
16'	5.1fc	32'-6"
18'	4fc	36'-6"

### Zonal Lumen Summary

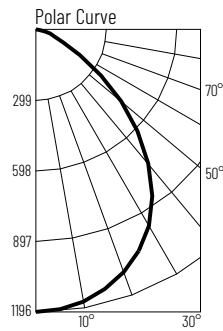
Zone	Lumens	% Luminaire
0-30	983	37.2
0-40	1563	59.1
0-60	2398	90.7
0-90	2645	100
90-180	0	0
0-180	2645	100

### Candela Table

Vertical Angles	Candela
0	1296
5	1288
15	1233
25	1122
35	934
45	660

### Test Information

Test Number: NTR1969R2  
 Part Number: NQZ2-81TWTW-MPW  
 Beam Spread: 91° Wide Flood  
 Lumens: 2447lm  
 Wattage: 25.02W  
 Efficacy: 98lpw  
 CCT / CRI: 4000K / 90 CRI  
 Spacing Criteria (0°-180°): 1.2  
 Spacing Criteria (90°-270°): 1.2



### Illuminance at a Distance

Distance from Luminaire	FC at Nadir	Beam Diameter
10'	12fc	20'-4"
12'	8.3fc	24'-4"
14'	6.1fc	28'-5"
16'	4.7fc	32'-5"
18'	3.7fc	36'-6"

### Zonal Lumen Summary

Zone	Lumens	% Luminaire
0-30	908	37.1
0-40	1443	59
0-60	2216	90.6
0-90	2447	100
90-180	0	0
0-180	2447	100

### Candela Table

Vertical Angles	Candela
0	1196
5	1190
15	1140
25	1038
35	865
45	608

### Lumen Output Multipliers

Wattage: 15W (0.64), 20W (0.84)