



# CAL LIGHTING

3625 E. Philadelphia St. Ontario CA. 91761 • Tel:  
909.947.5200 • Fax:

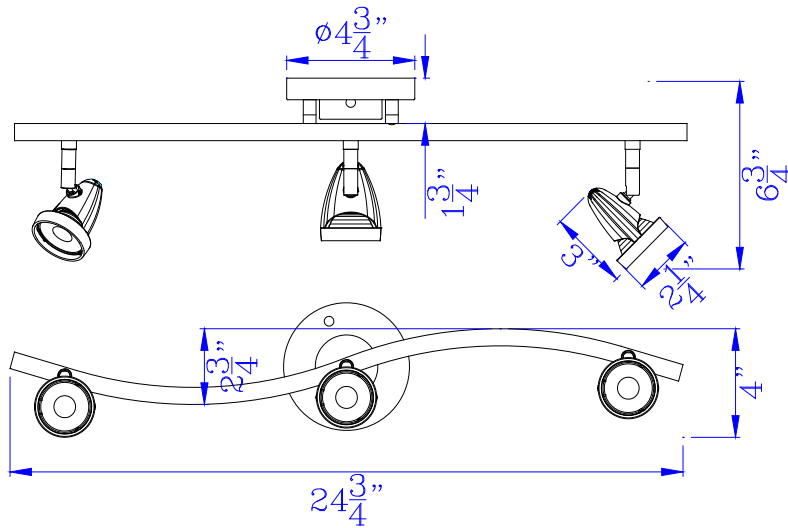
909.947.5673 • www.calighting.com • service@calighting.com •  
Specifications subject to change without notice

Type: \_\_\_\_\_

Project: \_\_\_\_\_

Catalog No.: \_\_\_\_\_

Lamp/Wattage: \_\_\_\_\_



- Model No. :** SL-808-3-RU  
**Description:** 6W x 3 Intergrated LED serpentine rail fixture. 1660 lumen, 3300K.  
Fixture comes with a pair of 4" and 8" extension poles  
**Finish :** Rust  
**Rotation :** 180 degree  
**Capability :** +90 degree from horizontal  
**Height:** 18 3/4" Max  
**Width:** 24 3/4"  
**Reach:** 4"  
**Voltage :** 120V  
**Wattage :** 18W  
**Dimming:** Dimmable  
**CT"** 3300K  
**Lumen :** 1660  
**CRI :** 80  
**FWHM :** 25 degree  
**Rated Life :** 30,000 hours  
**Warranty:** Three Years

**Certificate :**

