

GAMA SONIC[®]

SOLAR LIGHTING



COTTAGE SOLAR BARN LIGHT

Part #: 224BM50044

 Please read the instruction manual carefully to obtain the best results from your purchase.

Thank you for your purchase! GAMA SONIC® solar charged lights are brighter and last all night with a typical solar charge. Unique design, superior light output and numerous installation options confirm the outstanding value of our product. GAMA SONIC® has been recognized as a worldwide leader in the lighting industry for over 20 years.

Technical Assistance/Warranty Claims/Replacement Parts
Toll Free Number: +1-800-835-4113 (only within the US) or www.gamasonic.com

Visit our website or download the latest version of your instruction manual:
www.gamasonic.com



Gama Sonic's New Morph Technology

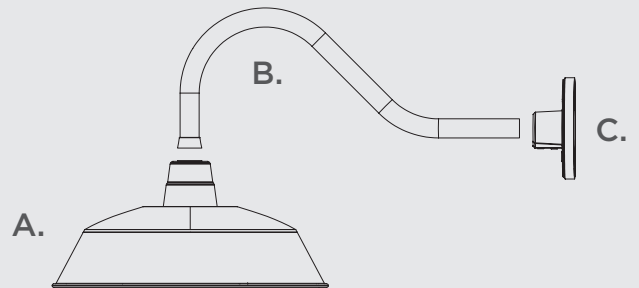
Gama Sonic's NEW Morph Solar Panel Technology is our ground-breaking process of capturing more power from the sun. Monocrystalline solar cells are molded to the surface of the lamp, "morphing" the lamp into a solar panel.

Solar Lamp Location

For optimum light duration throughout the night, it is very important to mount your solar lamp in a spot where it will receive the maximum amount of direct sunlight throughout the day.

What's In The Box

A = Lamp
B = Arm
C = Wall Mount



Bulb



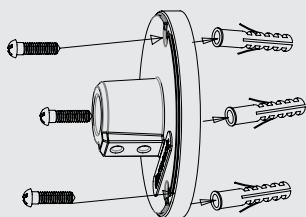
Hardware



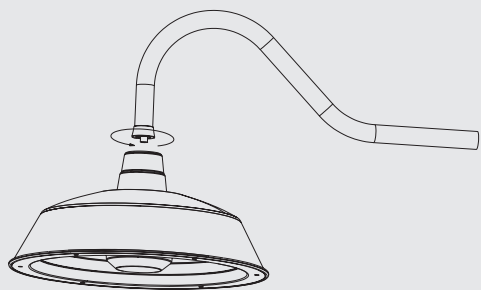
For best results, the solar light must be charged in the "ON" (High or Low) position for at least 2 days of full direct sunlight.

Assembly Instructions

- Using the wall mount (C) as a template, mark the three holes in your desired mounting location.
- Using a drill, make three holes no larger than the included anchors.
- Place the anchors in the holes and secure the wall mount (C) using the supplied screws.

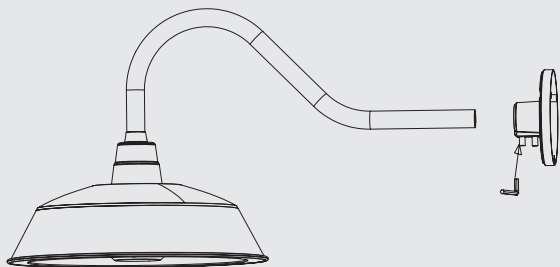


- Install the lamp (A) to the arm (B) by twisting the lamp (A) clockwise onto the threaded part of the arm (B).



- Insert the arm (B) into the wall mount (C) and secure it by tightening the two hex screws on the wall mount (C) using the supplied wrench.

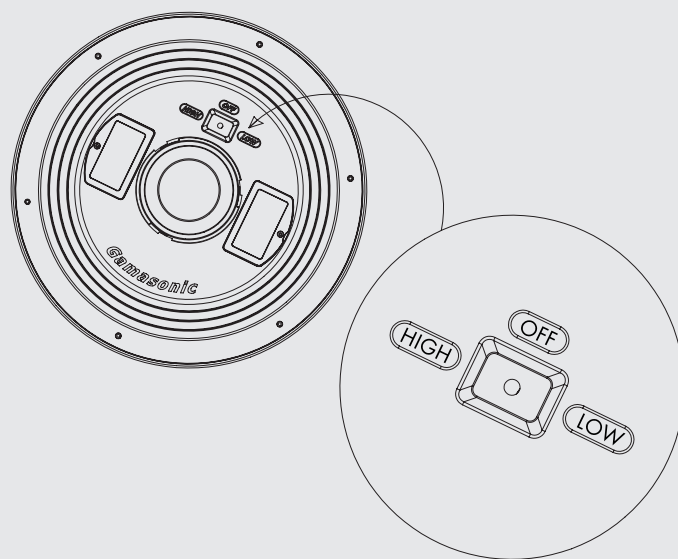
NOTE: Do not over tighten the screws.



- Follow the operation instructions to turn the lamp on.

Operation Instructions

- On the underside of the lamp (A) remove the bulb cover by twisting counterclockwise.
- Insert the bulb by twisting clockwise.
- Reattach the bulb cover by twisting clockwise until it locks.
- Move the operation switch on the back of the lamp to the Low or High position according to your preferences:
 - **Low:** softer light and longer duration
 - **High:** brighter light output
- The solar lamp will automatically operate at dusk.



Replacement Parts

Replacement Batteries and Bulbs are available at www.gamasonic.com or via our Toll Free number: +1-800-835-4113.

Your Lamp can use the following bulbs:

A60WW20W – included bulb with Warm White LEDs (2700K)

A60BW20W – bulb with Bright White LEDs (6000K)

Your lamp uses two of the following battery:

GS32V30

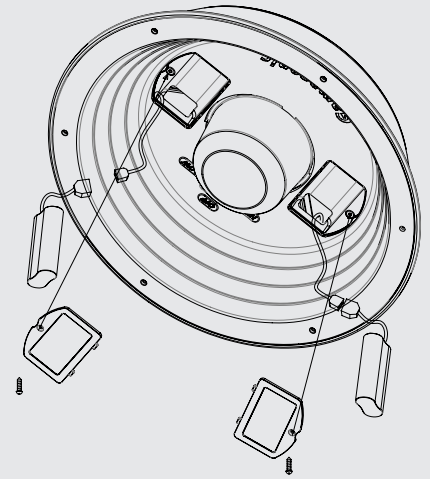


Replacing the Batteries

GAMA SONIC®
SOLAR LIGHTING

After several years of use, the battery may need replacing.

1. Remove the lamp (A) from the arm (B) by twisting the lamp counter clockwise.
2. Switch the unit to the OFF position.
3. Remove the battery compartment screw and cover.
4. Remove the battery and unclip the connector.
5. Make sure the new battery is a 3.2V/3000mAh Li-Ion battery with matching connector (Item# GS32V30)
6. Clip in the new battery and install the battery in the compartment.
7. Replace the battery cover and screw.
8. Repeat steps 3-7 for the second battery.
9. Switch the unit back on and re-install to the arm (B) by twisting clockwise.



Batteries are available for purchase at www.gamasonic.com

MAINTENANCE

Clean the solar panels regularly with a damp towel to guarantee optimum performance. Do not use any type of solvent for cleaning and be careful not to put too much pressure on the solar panels while cleaning.

TROUBLESHOOTING

If your solar light does not come on as expected despite observance of all the instructions, please try the following steps:

1. Make sure that the solar lamp is not being affected by any other light source.
2. Ensure the solar lamp is not positioned in the shade during the day.
3. Check that the batteries are installed correctly.

NOTE: The performance of the solar lamp will vary with the time of year. It will last longer when it has had a full day in the sun rather than a day in overcast weather.



WINTERTIME TIPS: For optimal performance, be sure to remove any snow or debris accumulation from solar panel(s). A solar panel free of debris will charge the batteries much more efficiently.



WARNING: Please keep out of reach of children. Do not dispose of Li-Ion battery in the regular trash, municipal waste stream or by fire as batteries may leak or explode. Do not open, short circuit, or mutilate batteries as injury may occur. Preserve our environment by recycling Li-Ion batteries or disposing of them in accordance with local, state and federal regulations. Do not mix old and new batteries.