

Kenway 42 Pendant LED

DESCRIPTION

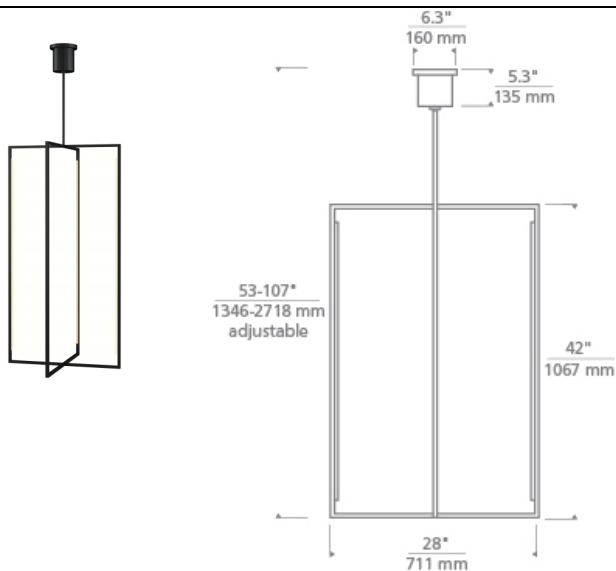
Celebrating the influence of geometry by linking thin rectangular frames, the Kenway 42 Pendant is designed with strips of inward-facing LED light guide panels providing generous amounts of illumination in the surrounding area. Available in two modern finishes, Nightshade Black and Natural Brass that will patina over time. Generously sized at 42" H with additional sizes available for a coordinated look. Includes 120-277 volt universal, 57 watt, 1603 delivered lumens, 3000K, 90 CRI LED module. Dimmable with most LED compatible ELV dimmers. Includes (2) 6" and (4) 12" rigid stems in coordinating finish. Can be installed on a sloped ceiling up to 20°

INSTALLATION

This product can mount to either a 4" square electrical box with round plaster ring or an octagon electrical box.

WEIGHT

29-29lb / 13.15-13.15kg ±



nightshade black



natural brass

ORDERING INFORMATION

700	SYSTEM	KNW	SHAPE OR SIZE	FINISH	LAMP
TD	LINE-VOLTAGE PENDANTS/SUSPENSION	42	42"	NB NATURAL BRASS B NIGHTSHADE BLACK	-LED930 INTEGRATED LED 90 CRI 3000K 120V-277V UNV



TECH LIGHTING®
 7400 Linder Avenue T 847.410.4400
 Skokie, Illinois 60077 F 847.410.4500
 Tech Lighting, L.L.C.

700

FIXTURE:

TYPE:

JOB NAME:

NOTES:

