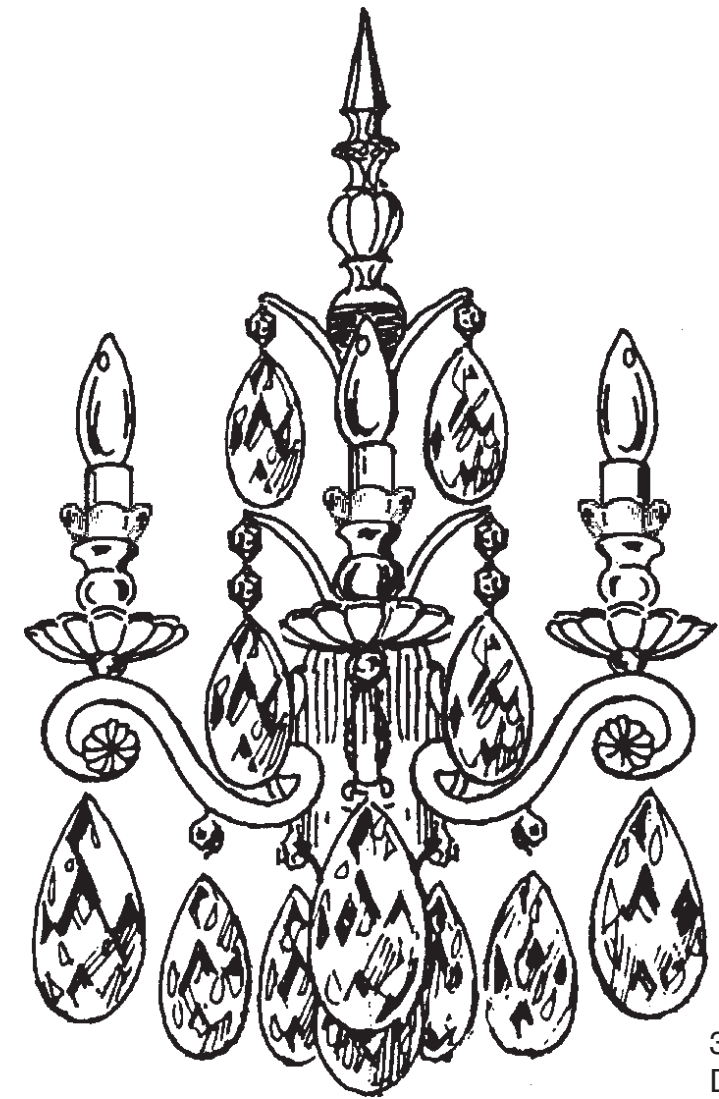




SCHONBEK®

RENAISSANCE 3762- _ _ _



3 Lights
Diameter: 15"
Body Length: 22"
Extension: 8"
Hanging Weight: 8 lbs.

THIS DESIGN IS THE PROPRIETARY
TRADE DRESS/TRADemark OF
SWAROVSKI LIGHTING, LTD.

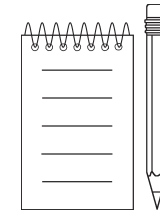
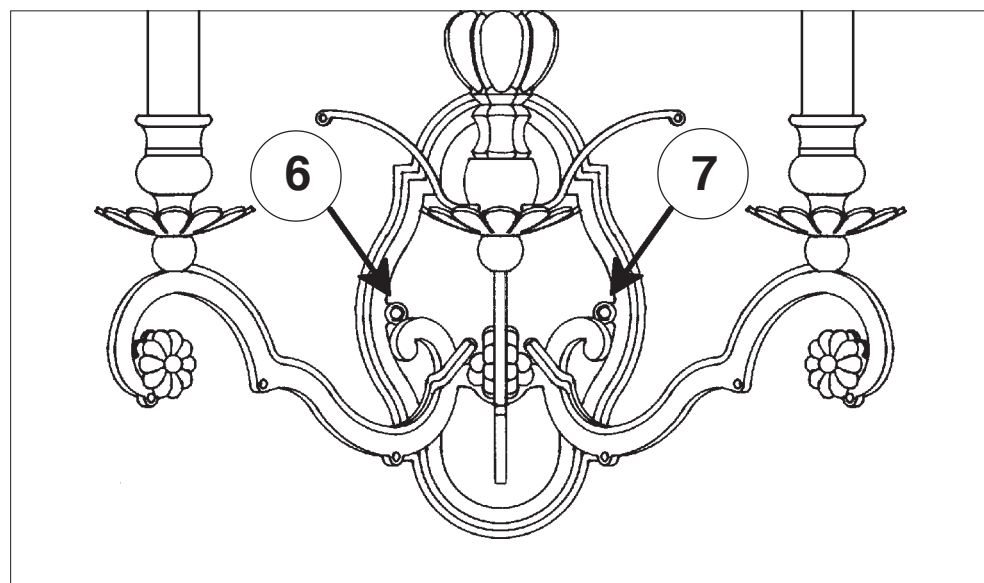
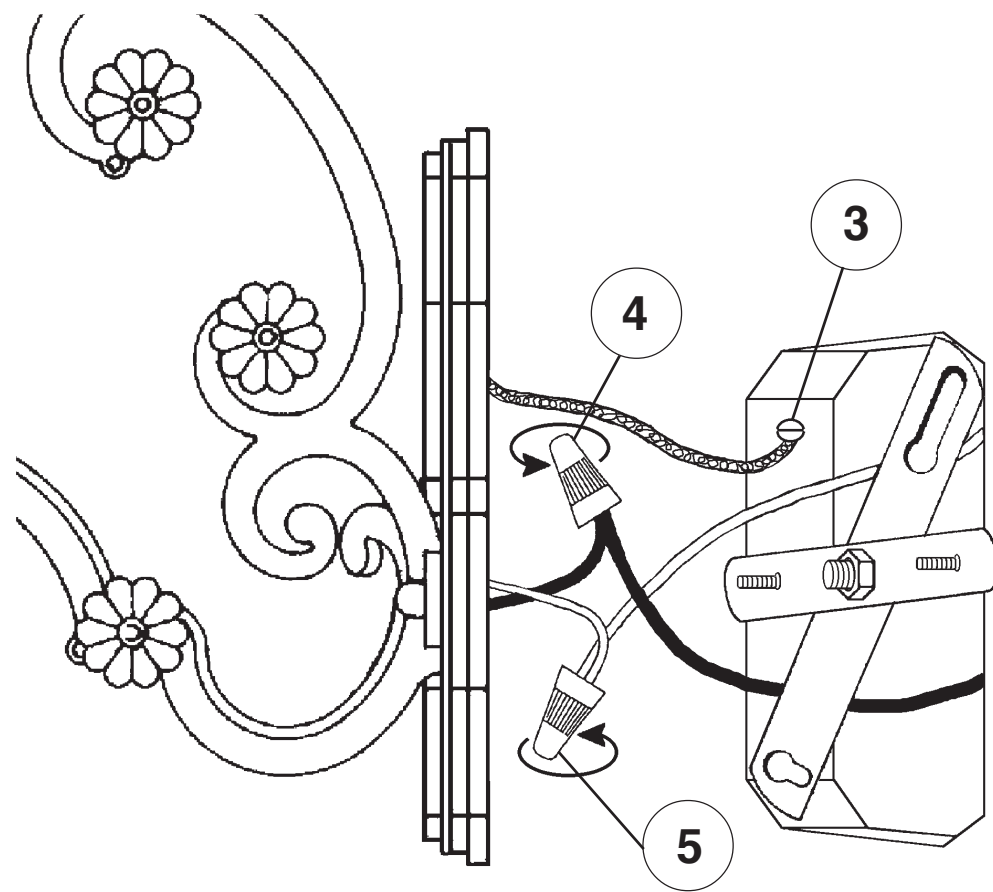
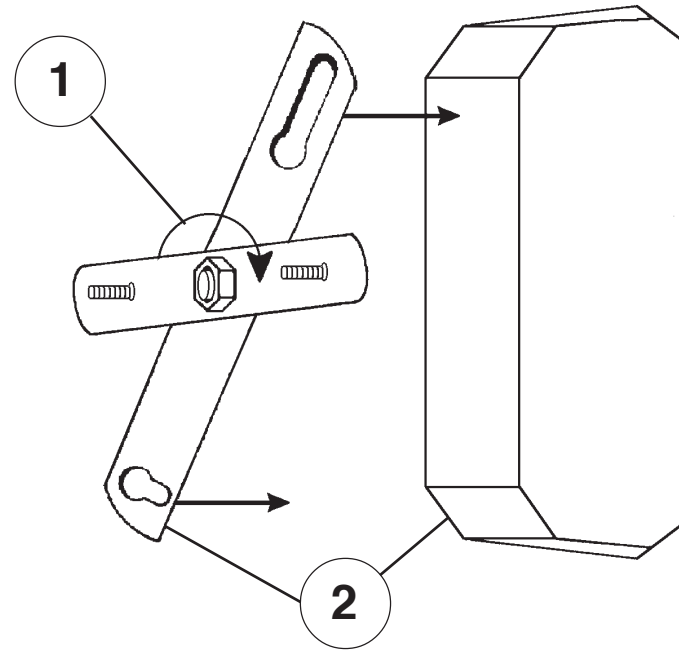


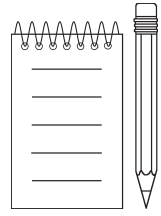
SCHONBEK®

MAX 60 W		110-120 V					

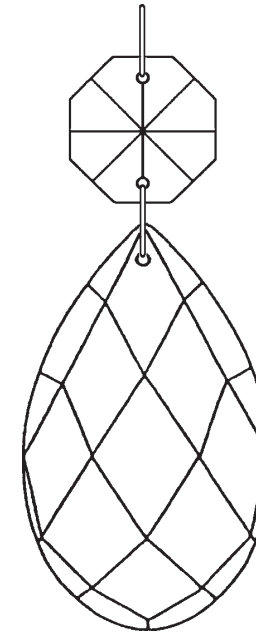
SCHONBEK® is a member of the Swarovski group.

All electrical components must be installed by a licensed electrician in accordance with the National Electric Code and the appropriate local electrical codes.

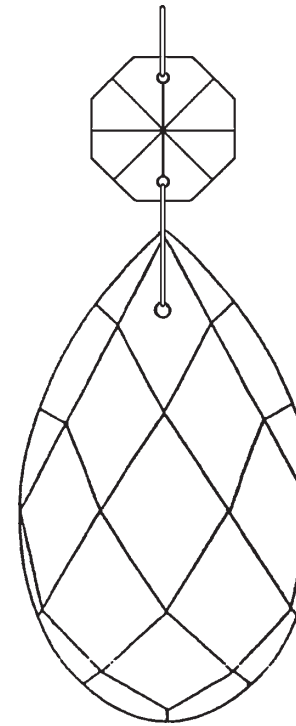




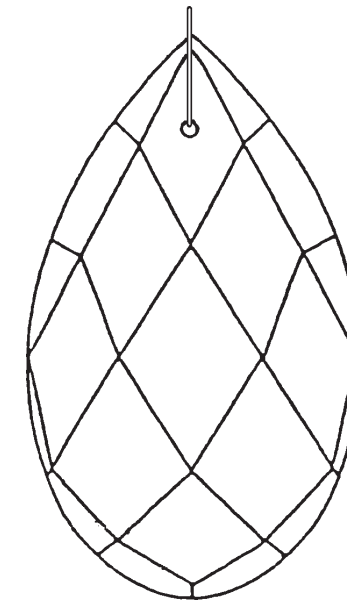
SET #1



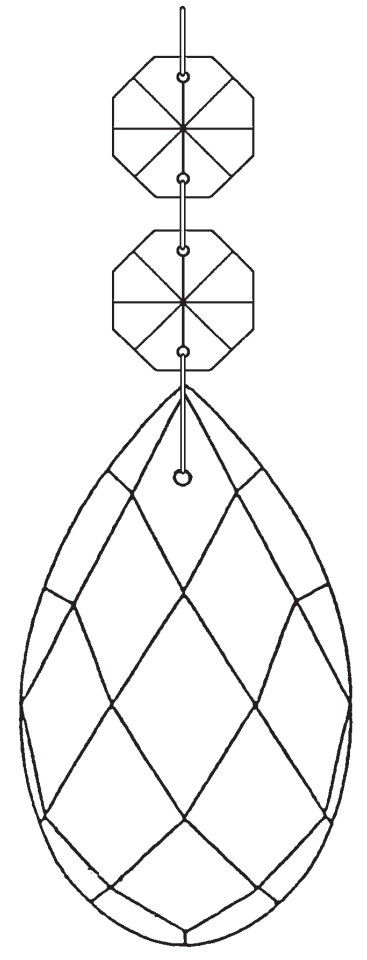
N4003
2-1/2"
63mm



N4000
3"
76mm

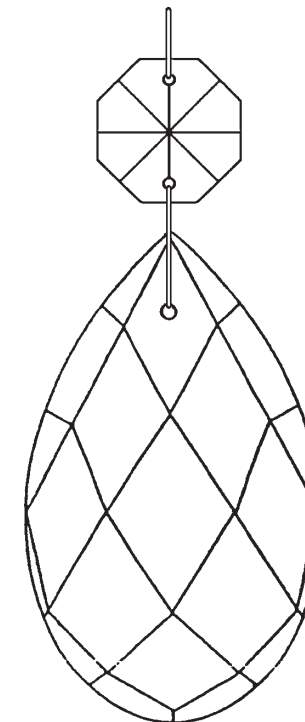


N4001
3-1/2"
89mm

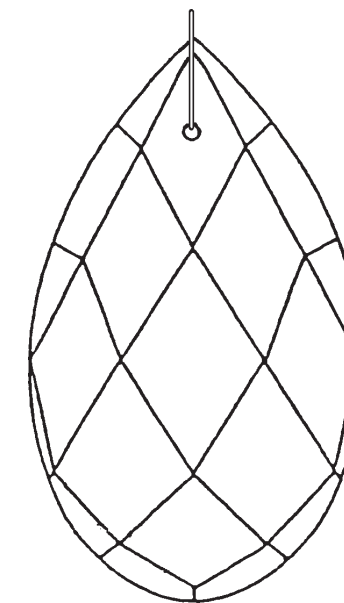


N4002
3-1/2"
89mm

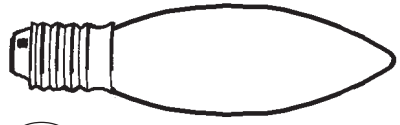
SET #2



N4000
3"
76mm



N4001
3-1/2"
89mm



9 3 - B10
60 Watts Max
25 Watts Recommend

Crystal Set #2 in Black

Crystal Set #1 in Black

