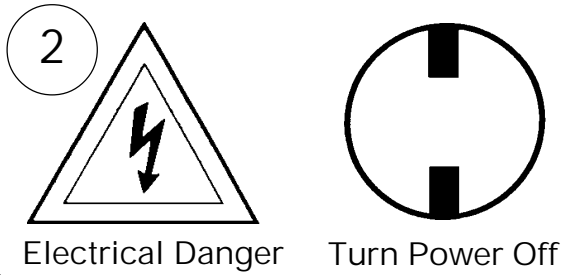


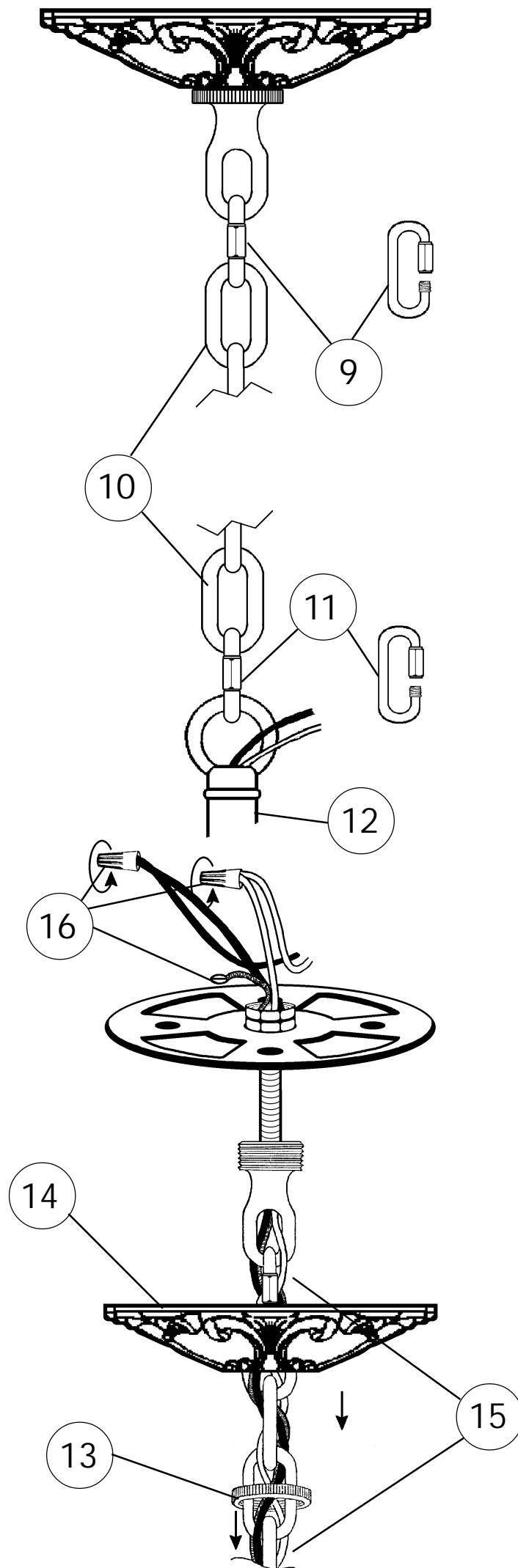
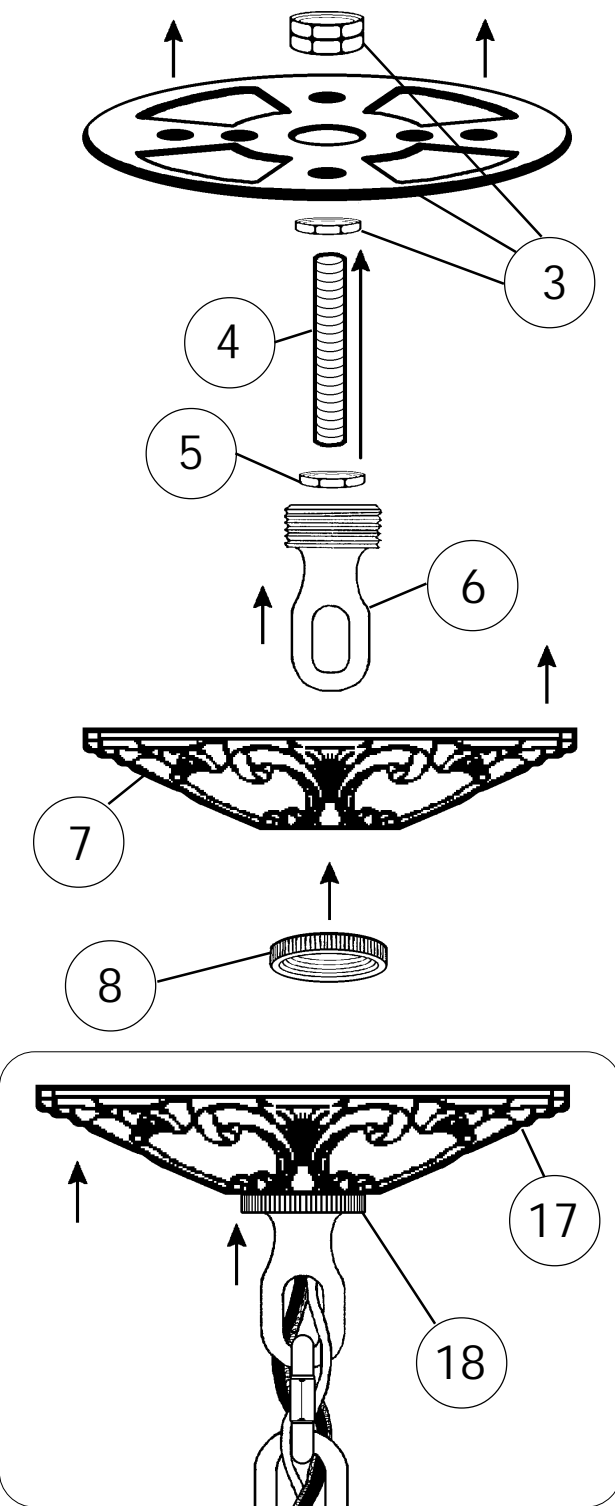
Instructions for electrician  
STEPS 2 - 18

WARNING: THIS LUMINAIRE MUST BE MOUNTED OR SUPPORTED INDEPENDENTLY OF AN OUTLET BOX.

WARNING:



All electrical components must be installed by a licensed electrician in accordance with the National Electric Code and the appropriate local electrical codes.



CHANDELIER 5013- \_\_\_ \_\_\_ A TRIM DIAGRAM

(Finish Option)



24 Lights  
Diameter: 46"  
Body Length: 48"  
Hanging Weight: 96 lbs.

THIS DESIGN IS THE PROPRIETARY TRADE DRESS/TRADE MARK OF SCHONBEK WORLDWIDE LIGHTING INC.

**SCHONBEK®**

See diagram on back page  
Follow steps in exact order  
Save this trim diagram for future reference

**1** IMPORTANT  
Person who opens carton should record the following information for future service.  
CODE # \_\_\_\_\_ Four-digit number on outside of carton.  
PACKER # \_\_\_\_\_ See crystal package label.  
ORDER # \_\_\_\_\_ See crystal package label.



Instructions for crystal trimming  
STEPS 19 - 45

**STEPS #2 - #18 ON BACK PAGE**

**19** Use lock washer and nut to secure arms in place.

**20** Connect white arm wires to neutral column wire (ribbed or marked is neutral). Connect black arm wires to power wire in column. **NO MORE THAN 5 - WIRES PER WIRE NUT.** Use electrical tape to secure wire nuts. Carefully press wires as close as possible to the underside of both washers.

**21** Attach the washers (top and bottom) with the lock washer and nut. Attach the bottom dish with the rosette and the round nut. Install candle slips and bobeches onto arms.

**22** You will need 24 - C10 25 Watts Recommended 60 Watts Max

Install bulbs and be sure to test fixture **BEFORE** trimming.

**HANG CRYSTAL WITH FLAT SIDE TO FRONT**

**32**

Tighten With Tool Provided.

