

TWO-CIRCUIT MONORAIL

Two-Circuit MonoRail T-Bar Connector

DESCRIPTION

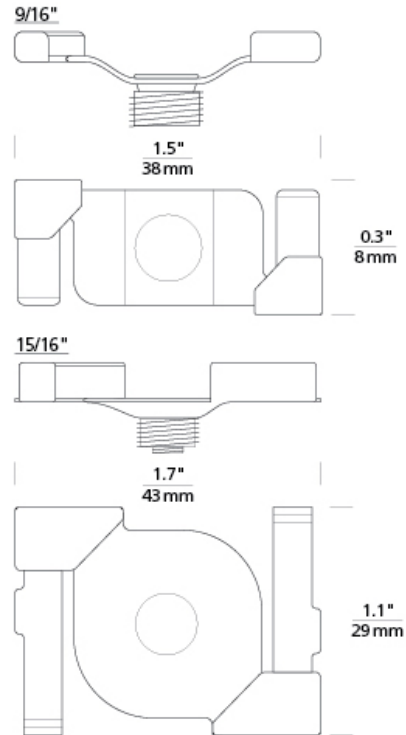
To install a Two-Circuit MonoRail system to a T-bar drop ceiling, add a T-bar connector to every standoff (sold separately). The T-bar clip twists into the slot. (Use only if local electrical codes allow). Specify 15/16" or 9/16" slat.

OTHER

Use with rigid or adjustable standoff (sold separately).

WEIGHT

0.5lb / 0.23kg ±



ORDERING INFORMATION

700MO2TBAR SHAPE OR SIZE

C 15/16"
9C 9/16"

FINISH

B BLACK
W WHITE



TECH LIGHTING®

7400 Linder Avenue
Skokie, Illinois 60077

T 847.410.4400
F 847.410.4500

Tech Lighting, L.L.C.

700MO2TBAR ____

FIXTURE TYPE: _____

JOB NAME: _____

NOTES: _____



©2014 Tech Lighting, L.L.C. All Rights Reserved. The "Tech Lighting" graphic is a registered trademark of Tech Lighting, L.L.C. Tech Lighting reserves the right to change specifications for product improvements without notification.