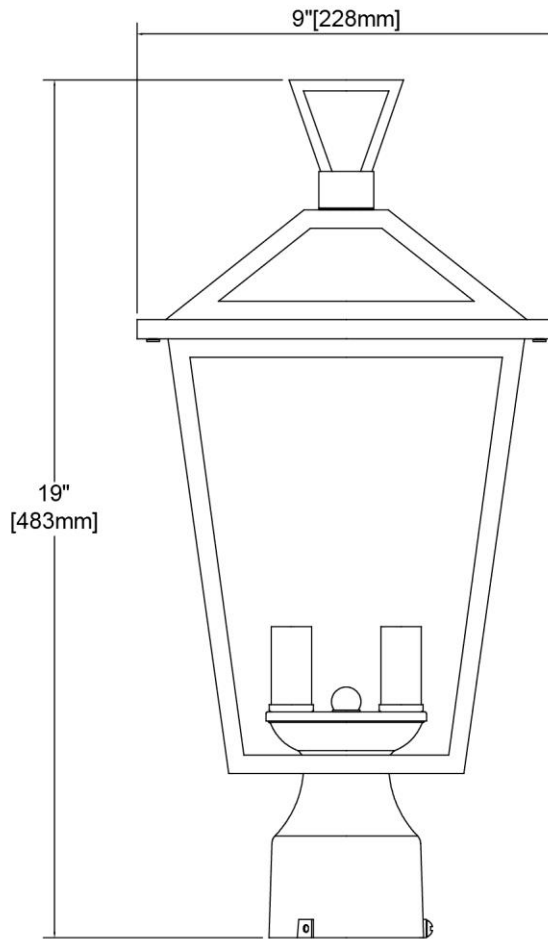




ITEM #:	45475/3
UPC	748119138992
Description	Main Street 3-Light Outdoor Post Mount in Black with Clear Glass Enclosure
Finish	Black
Materials	Glass, Steel
Brand	ELK Lighting
Collection	Main Street
Category	Outdoor Lighting
Type	Post Mount

ITEM DIMENSIONS				RATINGS & SPECIFICATIONS				
Width	9 inches			Safety Rating	ETL		Certification	Wet locations
Depth	9 inches			ADA Compliant	N/A		Voltage	120 volts
Height	19 inches			BULBS / SOCKETS				
Weight	6 pounds			Quantity	3	Wattage	60 watts	
ADDITIONAL DIMENSIONS				Included	No	Type	Torpedo (E12 Candelabra Base)	
Backplate / Canopy	N/A			Other	N/A			
HCWO	N/A			CHAIN / CORD INFORMATION				
Min. Extension	N/A			Chain	N/A	Cord	8 inches	
Max. Extension	N/A			SHADE / GLASS DETAILS				
OVERALL HEIGHT				Shade/Glass Description	Clear Glass Enclosure			
Min.	N/A		Max.	N/A				
EXTENSION ROD(S)				Width	N/A		Height	N/A
N/A				Width at Top	N/A		Width at Bottom	N/A



Rev. 12/12/2019