

VANTAGE

902466FGT-LWD

VANTAGE 66" LED SMART FAN

DETAILS	
FAN FINISH:	Graphite
GLASS:	Etched Opal
BLADE COUNT:	8
SLOPE DEGREE:	20

DIMENSIONS	
WIDTH:	66"
HEIGHT:	16.8"

LIGHT SOURCE	
LED NAME:	SMJD_2G16W7PX
VOLTAGE:	120v
CRI:	90

MOUNTING	
CANOPY:	6" Dia.
LEAD WIRE:	1 X 76"

SHIPPING	
CARTON LENGTH:	31.5
CARTON WIDTH:	10.5
CARTON HEIGHT:	12



Create a major aesthetic statement with Vantage's modern industrial design featuring gently curved blades. Available in a variety of finish options, Vantage can be applied to a range of spaces. Equipped with integrated LED and DC motor technology to deliver excellent energy efficiency. Vantage is so versatile; it can be used for both indoor and outdoor spaces.

PRODUCT DETAILS:

- This item includes a 6" down rod. Other various lengths of down rods are available and sold separately to customize the installation height.
- Suitable for use in wet (interior direct splash and outdoor direct rain or sprinkler) locations as defined by NEC and CEC. Meets United States UL Underwriters Laboratories.
- For more information on how to control your ceiling fan via the Hinkley Home Automation App, [click here](#).
- This item includes a light kit cover
- WiFi compatible with included fan control
- Fan Control included, HIRO Control - 6 Speed Reversing
- LED components carry a 5-year limited warranty
- Motor carries a lifetime warranty

HINKLEY

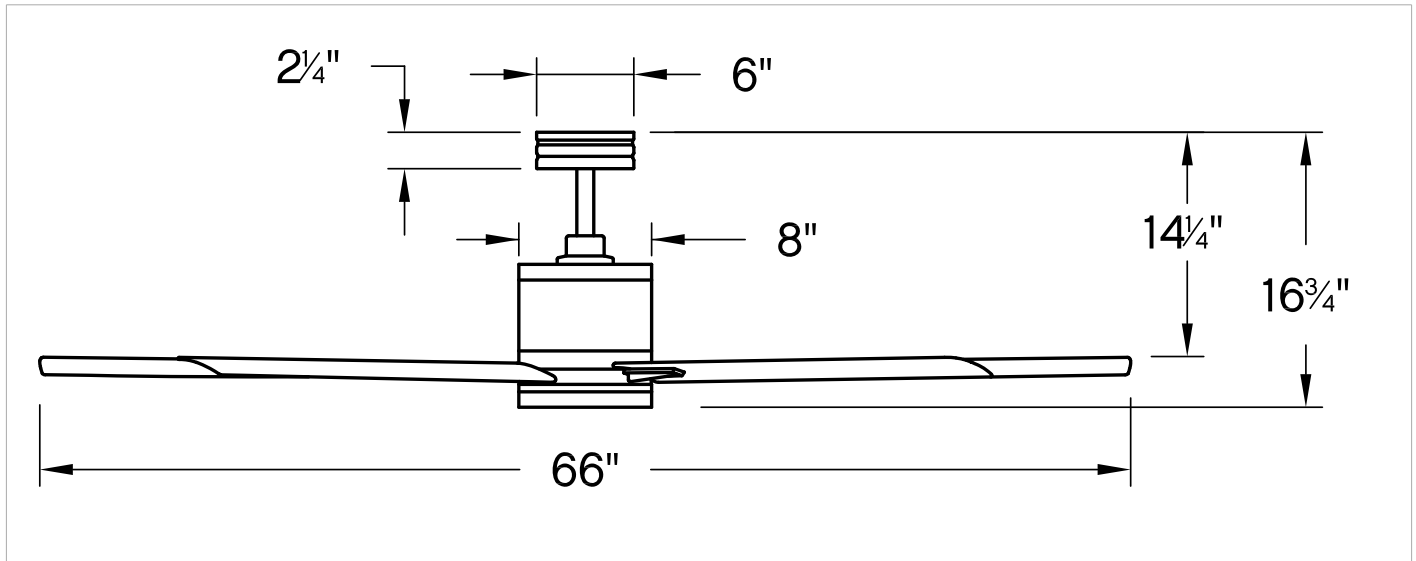
HINKLEY
33000 Pin Oak Parkway
Avon Lake, OH 44012

PHONE: (440) 653-5500
Toll Free: 1 (800) 446-5539

hinkley.com

VANTAGE 66" LED SMART FAN

902466FGT-LWD



PERFORMANCE SPECIFICATIONS	STANDARD	
	HIGH SPEED	AVERAGE SPEED
Airflow	9087	6575
EnergyUse	29.2	18
EnergyCost	8	5
Efficiency	312	356
AMPS	0.41	0.24
RPMS	108	77

AVERAGE PERFORMANCE AND ENERGY INFORMATION

ENERGYGUIDE

Estimated Yearly Energy Cost

\$5

Cost Range of Similar Models (19" – 84")

\$3 | | | \$34

- Based on 12 cents per kWh and 6.4 hours use per day
- Your cost depends on rates and use
- Energy Use: 18 Watts

Airflow

6,575

Cubic Feet Per Minute

- The higher the airflow, the more air the fan will move
- Airflow Efficiency: 356 Cubic Feet Per Minute Per Watt

All estimates based on typical use, excluding lights ftc.gov/energy

Airflow Shown is a Weighted Average of High and Low Cubic Feet per Minute Based on Downrod

HINKLEY

HINKLEY
33000 Pin Oak Parkway
Avon Lake, OH 44012

PHONE: (440) 653-5500
Toll Free: 1 (800) 446-5539

hinkley.com