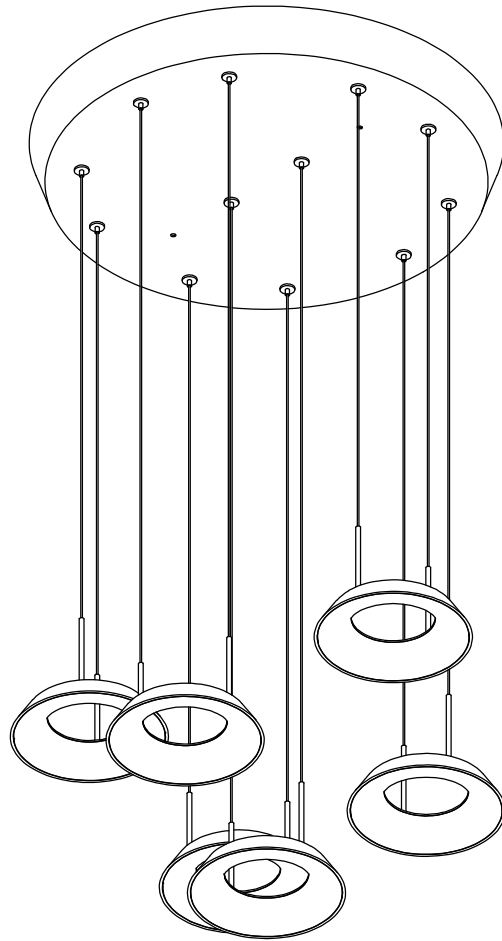




PRODUCT NAME : Quantum  
ITEM NUMBER: E20904-BK

Please consult your electrician for hanging fixture and wiring.



WARNING: WIRES NEED TO BE CONNECTED TO DRIVER FOUND IN CANOPY AND SHOULD NOT CONNECT DIRECTLY TO POWER SOURCE OR A SHORT MIGHT OCCUR.

the fixture is designed to dim with a standard Triac forward phase dimmer. Dimming levels will vary by dimmer.  
Below is a list of recommended dimmers:

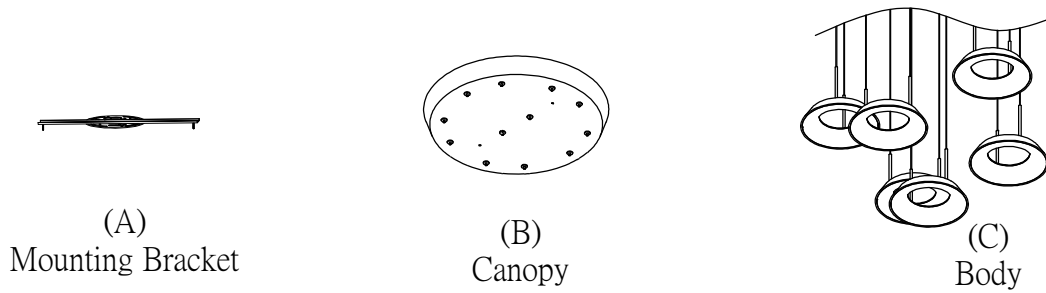
- Lutron DVL-153P
- Lutron SCL-153P
- Leviton IPL06-10Z
- Leviton 6674-POW

Due to the inrush current wattage should not exceed 150 watts of product for a 600 watt dimmer

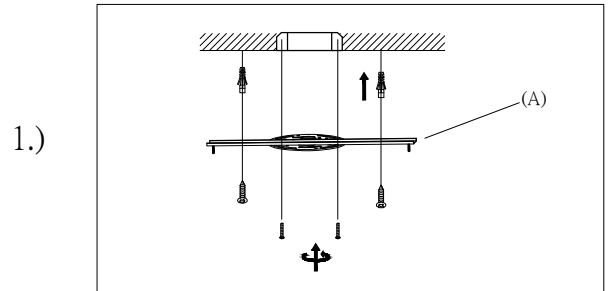
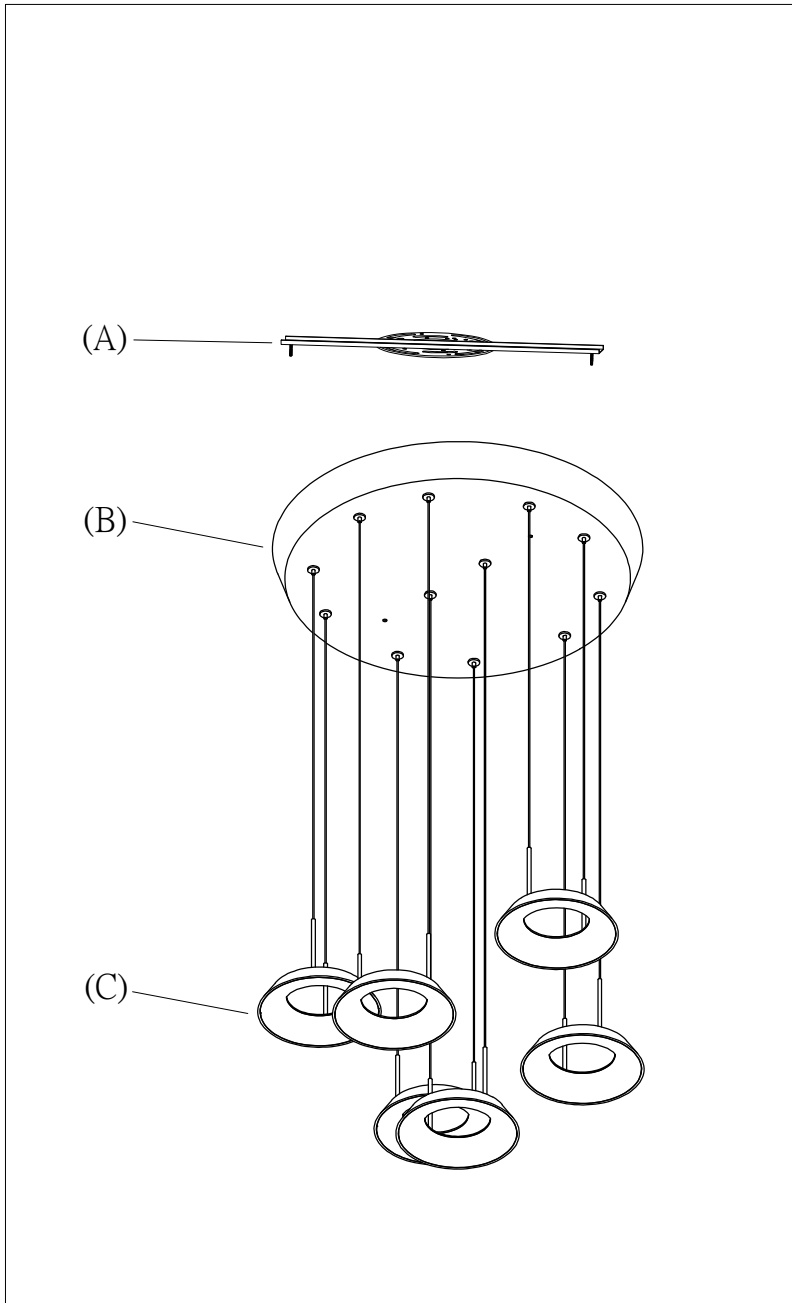
41W LED

MADE IN CHINA

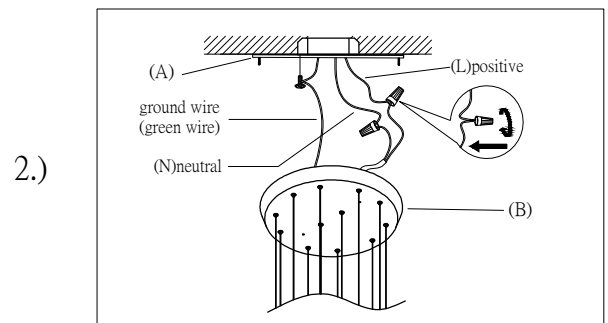
**IMPORTANT:** Turn off the power at the main fuse or circuit breaker box before starting installation



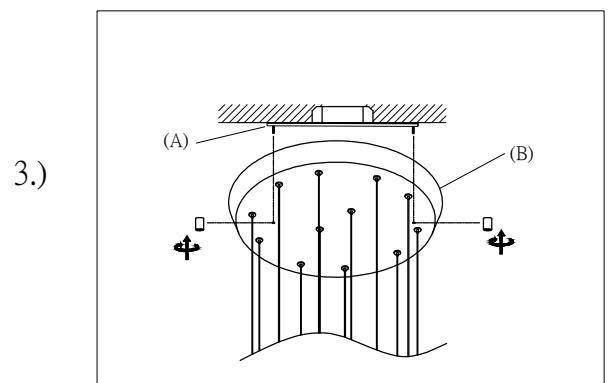
**Locate all hardware & components before discarding packaging**



Step.1: Remove Bracket (A) from fixture and install to electrical box.



Step.2: Wire fixture to wires in outlet box. Install Green wire to Ground Screw.



Step 3: Adjust wire length to desired hanging height. Install Canopy (B) to Bracket (A) and tighten screws at the ends of canopy to secure.

**Cleaning & Care:**

Clean with soft cloth and a mild detergent. Do not use abrasive cleaner.