



CAL LIGHTING

3625 E. Philadelphia St. Ontario CA. 91761 • Tel: 909.947.5200 • Fax:
909.947.5673 • www.calighting.com • service@calighting.com •
Specifications subject to change without notice

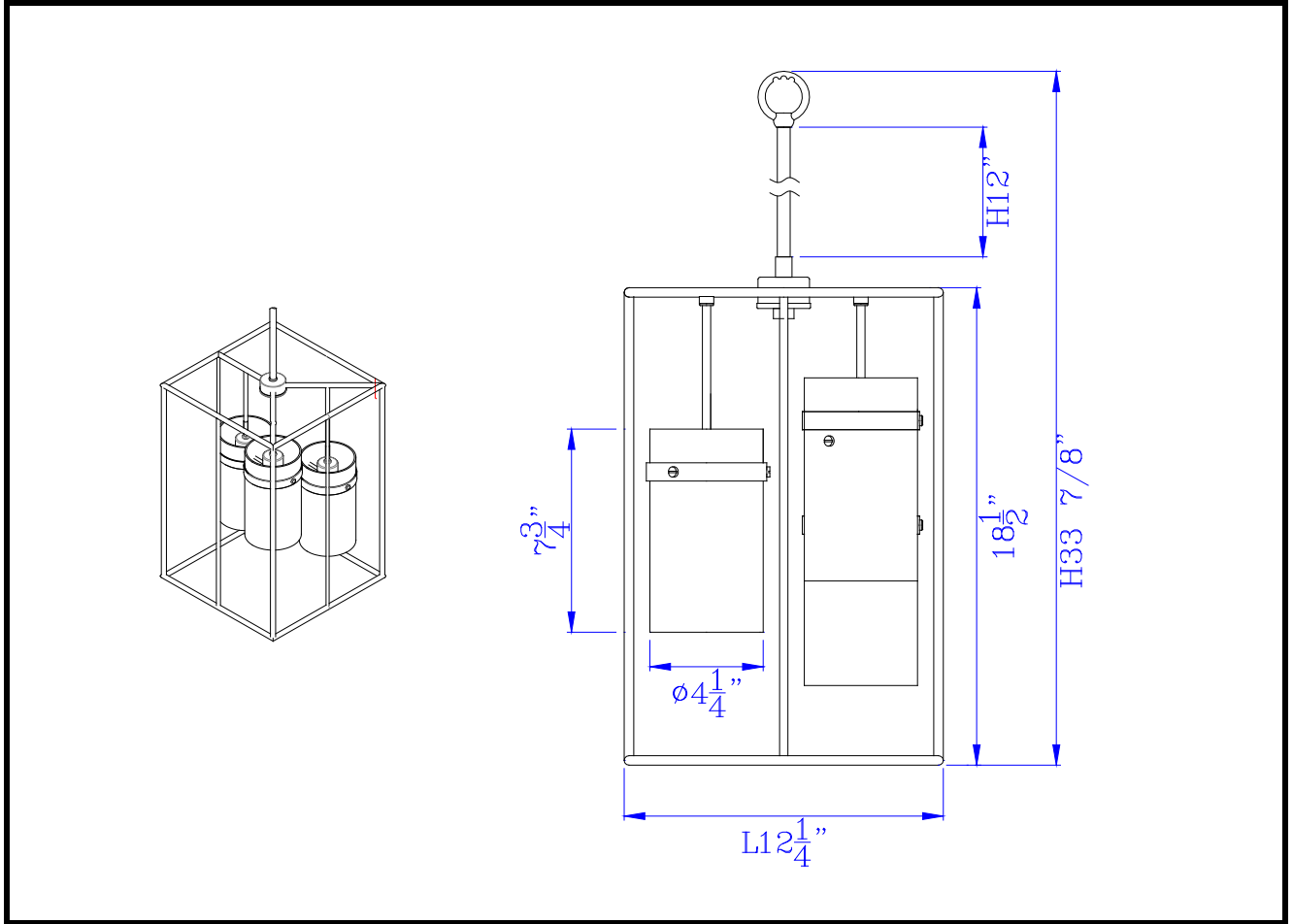
Type: _____

Project: _____

Catalog No.: _____

Lamp/Wattage: _____

Drawing:



Model No: FX-3680-3
Description: 60W x 3 Cremona glass pendant fixture
Material: Metal/Glass
Finish : Black/Antique Brass
Height: 34"
Width: 12 1/4" x 12 1/4"
Wattage : 60Wx3
Socket : Medium Base (E26)
Bulb: Incandescent
Chain Length: 6'
Wire Length: 10"
Wire Color: Black
Shade No: None
Material: Glass
Shade size: 4 1/4"x 4 1/4" x 7 3/4"

Certificate : 