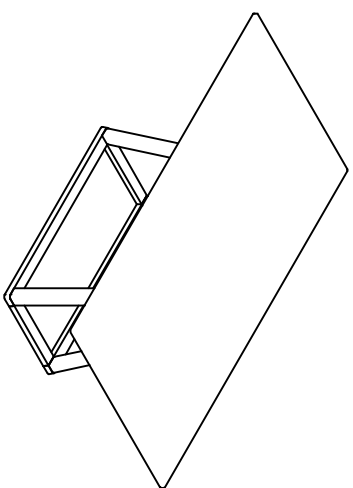
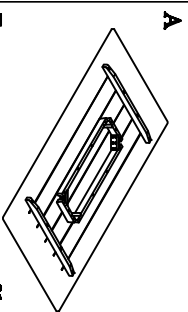


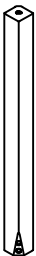
# ASSEMBLY INSTRUCTION



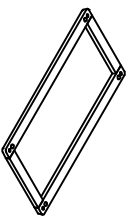
## PARTS LIST



Top 01 pc



Legs 04 pcs



Base 01 pc

## HARDWARE LIST



M8\*70 mm 08 pcs



M8\*45 mm 04 pcs



M8\*13 mm 08 pcs



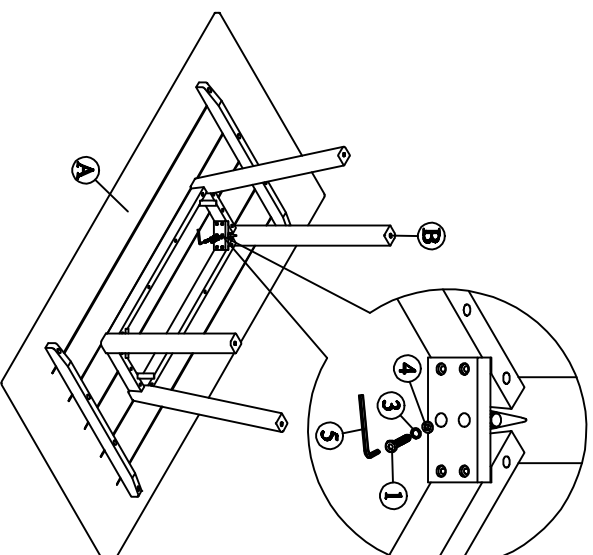
M8\*18 mm 08 pcs

5. Allen key



M4 01 pc

**Step. 1**



**Step. 2**

