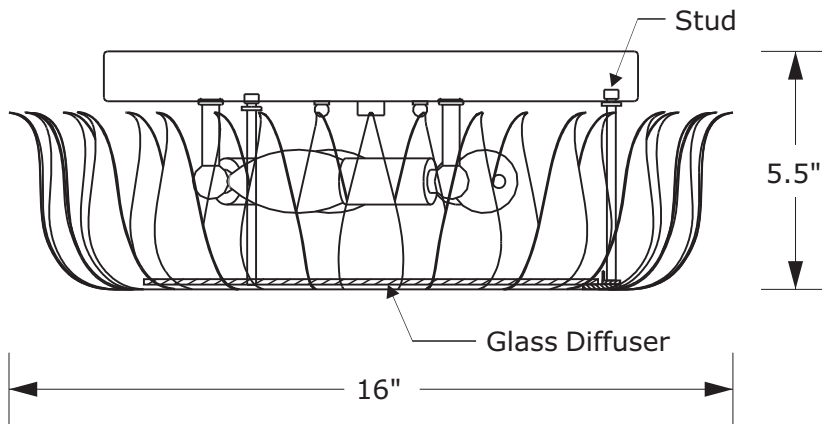


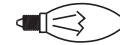
# CRYSTORAMA

LIGHTING THE WAY FOR SIXTY YEARS

## ASSEMBLY INSTRUCTION MODEL #510-MT



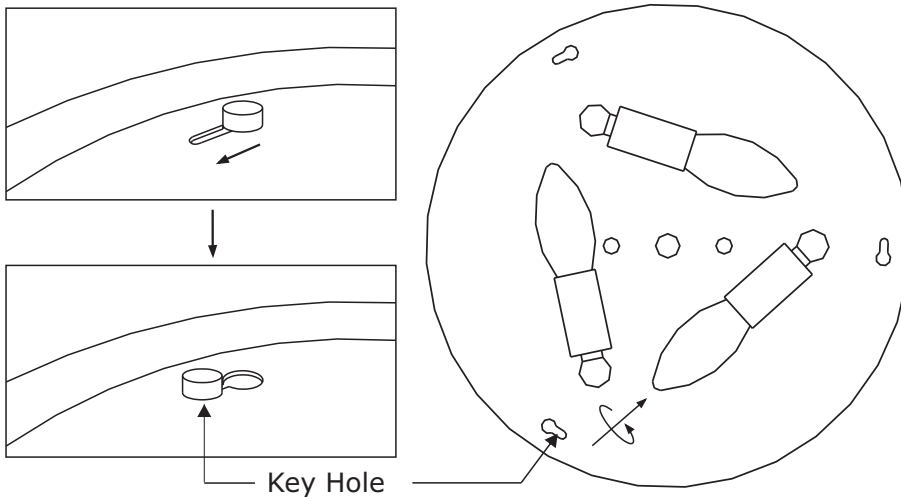
All electrical components must be installed by a licensed electrician in accordance with the National Electric Code and the appropriate local electrical codes.



You will need 3 -Candelabra Base Bulb  
40 Watts Recommended 60 Watts Max.

USE LED BULBS FOR EXTENDED USE  
THIS FIXTURE IS DAMP RATED

### DETAILED ILLUSTRATION




### How to install

1. Attach the ceiling pan onto the outlet box and secure it by ball nuts.
2. Insert recommended bulb (not included).
3. Put the glass diffuser onto the bottom of leaves frame and secure it with clips.
4. Raise the leaves frame up to the ceiling and align the stud with the key hole onto the canopy and twist lock it in counter clockwise direction (see illustration).

### How to replace the bulb

Take the leaves frame off by twisting it in clockwise direction.

 **WARNING:** This product can expose you to Lead, which is known to the State of California to cause cancer and/or birth defects or reproductive harm. For more information go to [www.P65Warnings.ca.gov](http://www.P65Warnings.ca.gov).

# CRYSTORAMA

LIGHTING THE WAY FOR SIXTY YEARS

PART NUMBER MODEL #510-MT

## Part Number

- A. (1) - Mounting Hardware
- B. (2) - Ball Nut #XRE510MTBANUT
- C. (1) - Glass Diffuser
- D. (1) - Leaves Frame

