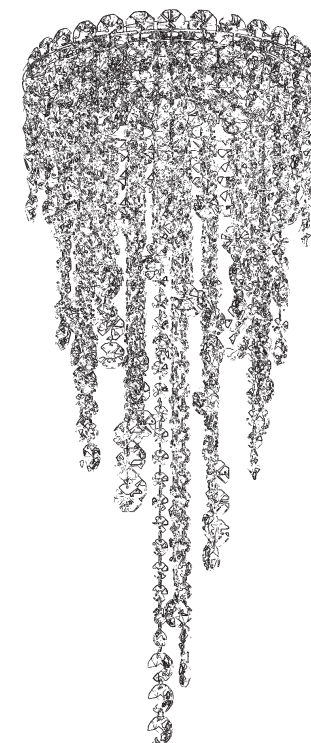




**SCHONBEK®**

**CHANTANT**  
**CH0802N- \_\_ \_\_ H**



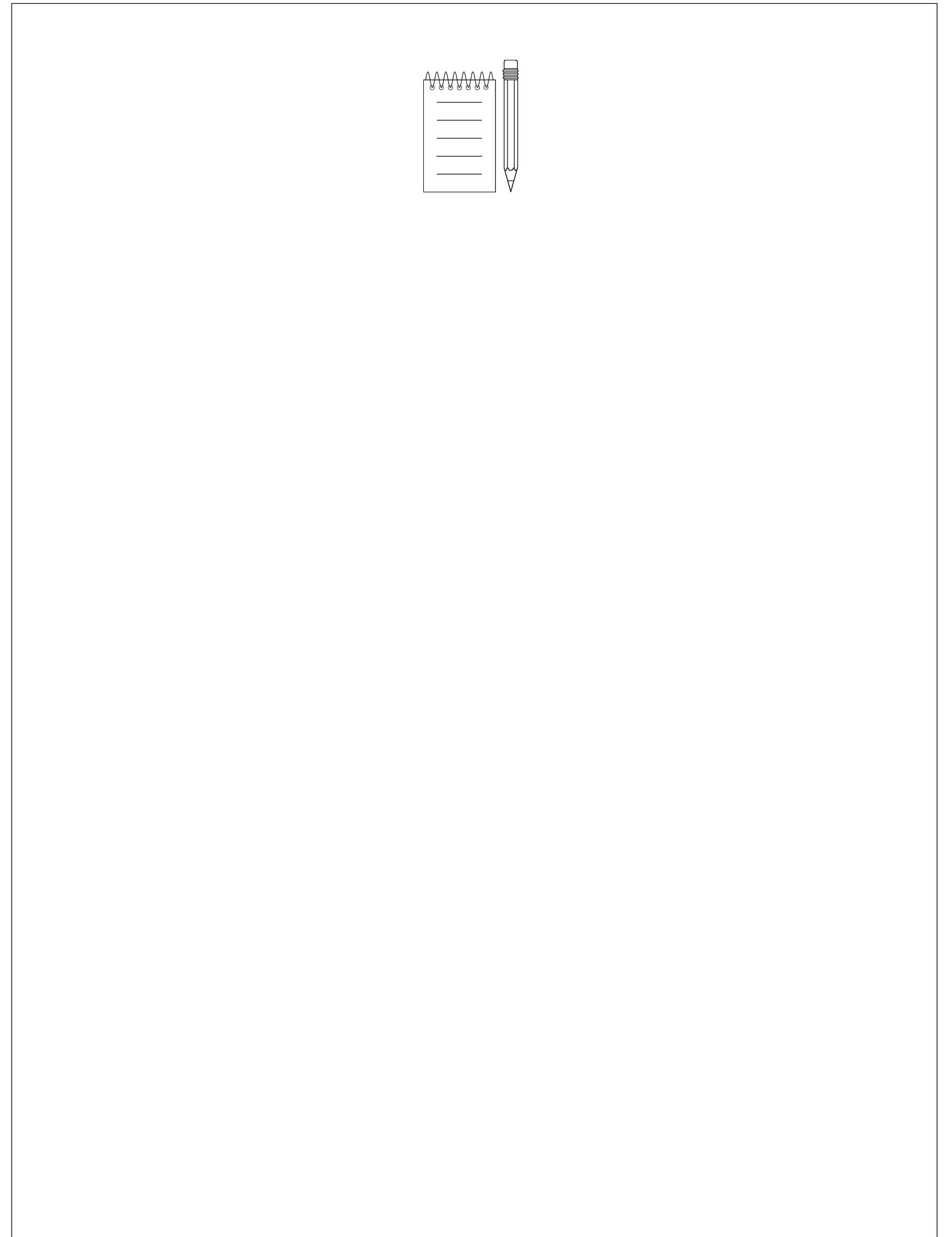
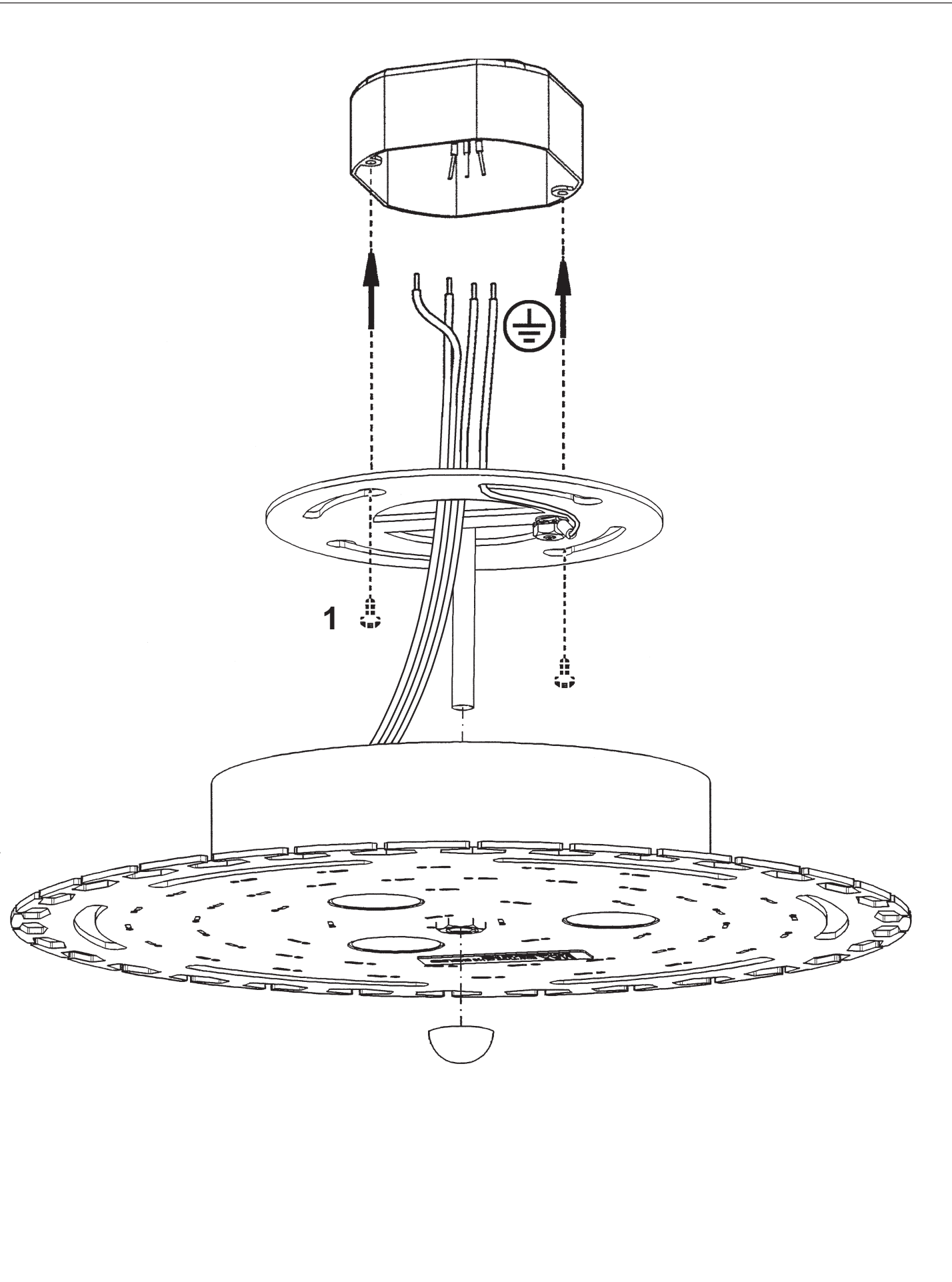
**T**HIS DESIGN IS THE PROPRIETARY  
TRADE DRESS/TRADE MARK OF  
SWAROVSKI LIGHTING, LTD.

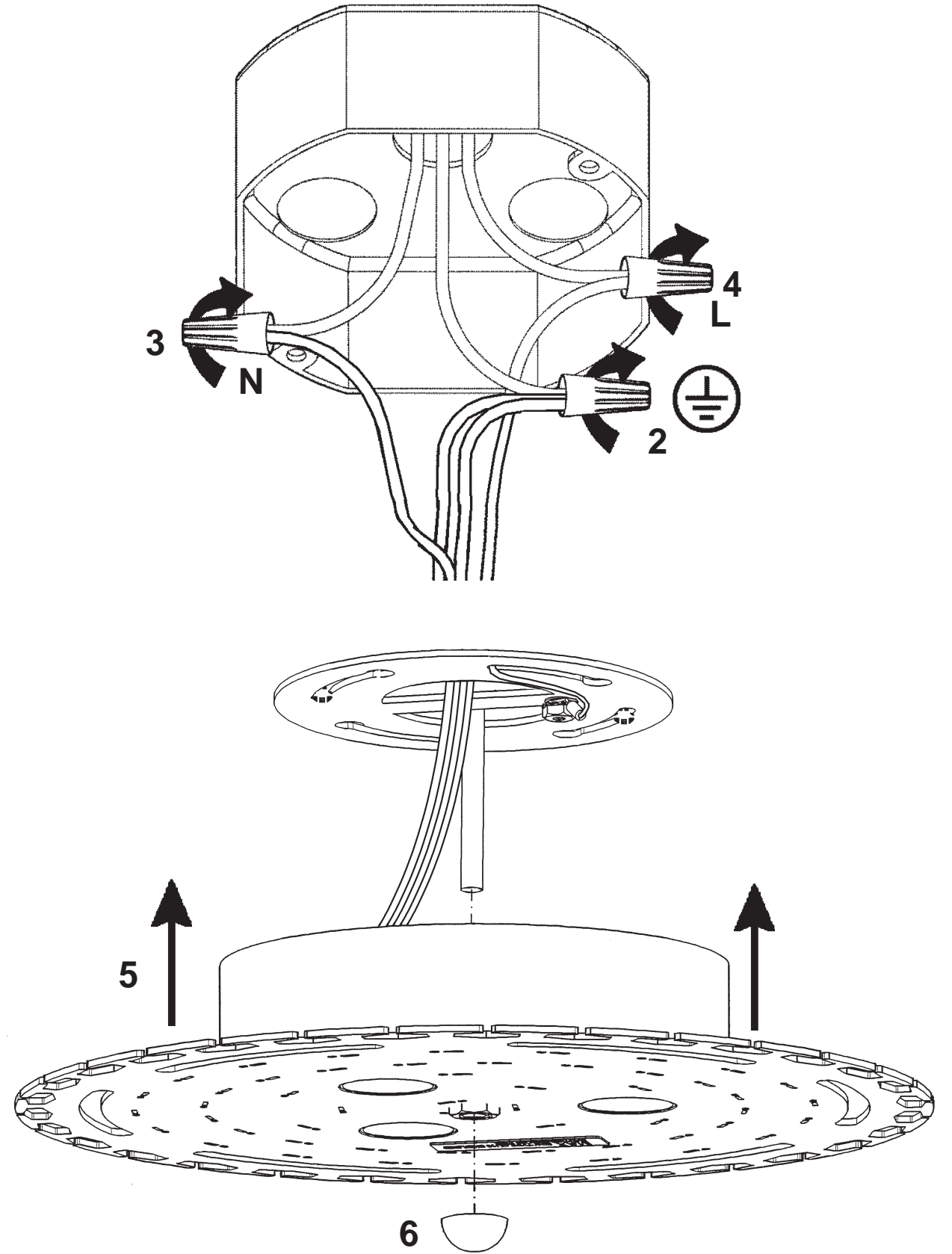
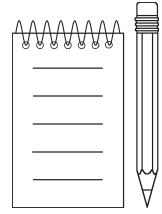
3 Lights  
Diameter: 10-1/2"  
Height: 25"  
Hanging Weight: 9-1/2lbs.

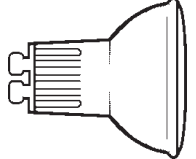



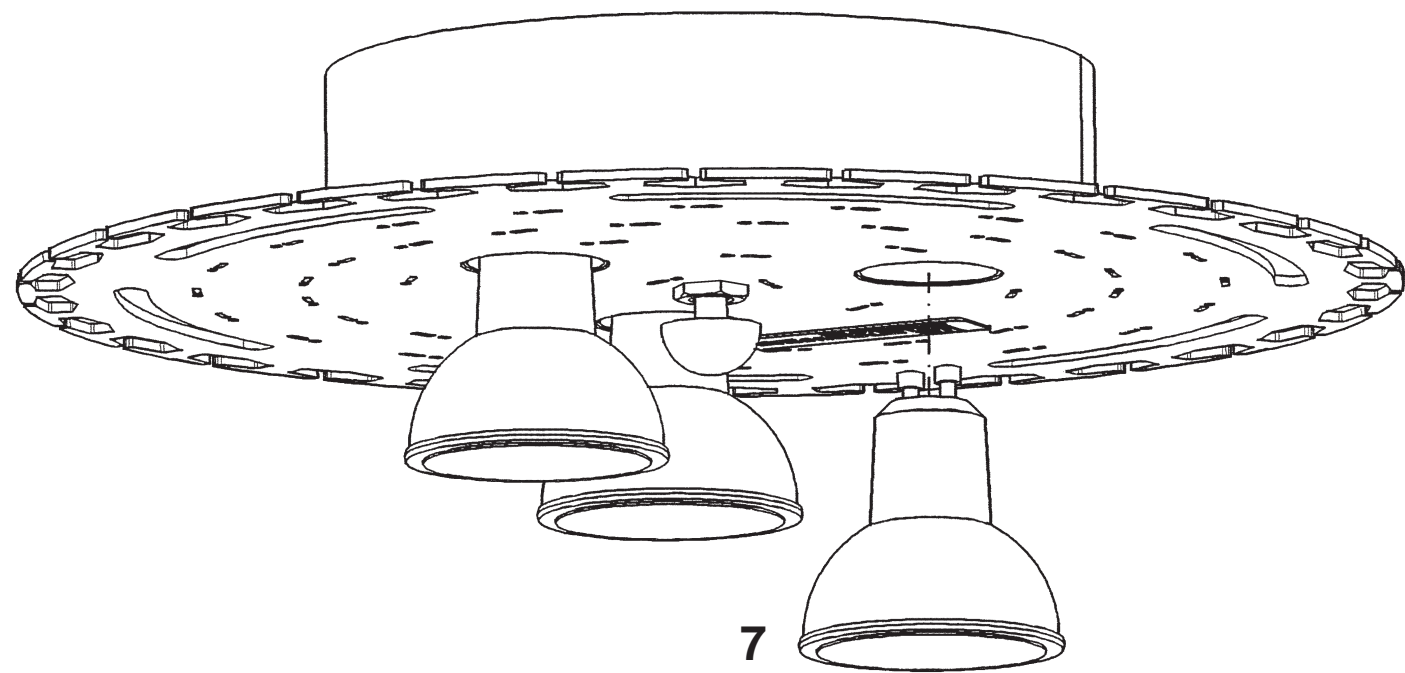
**SCHONBEK®**

MAX <u>35</u> W		110-120 V					

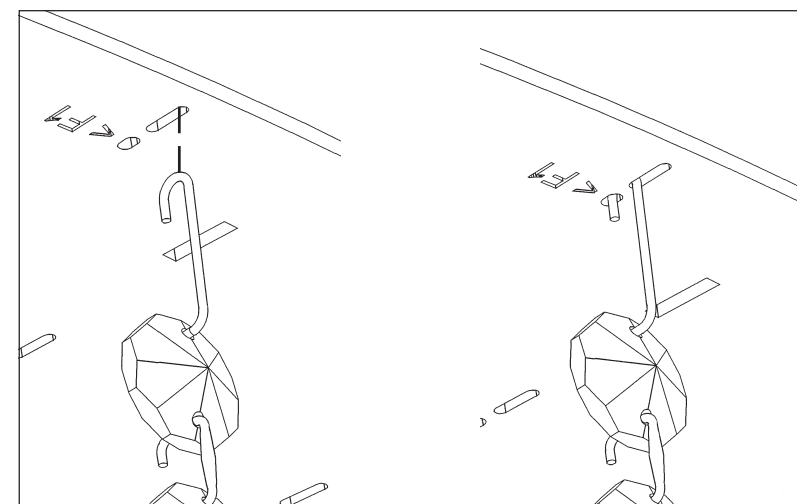
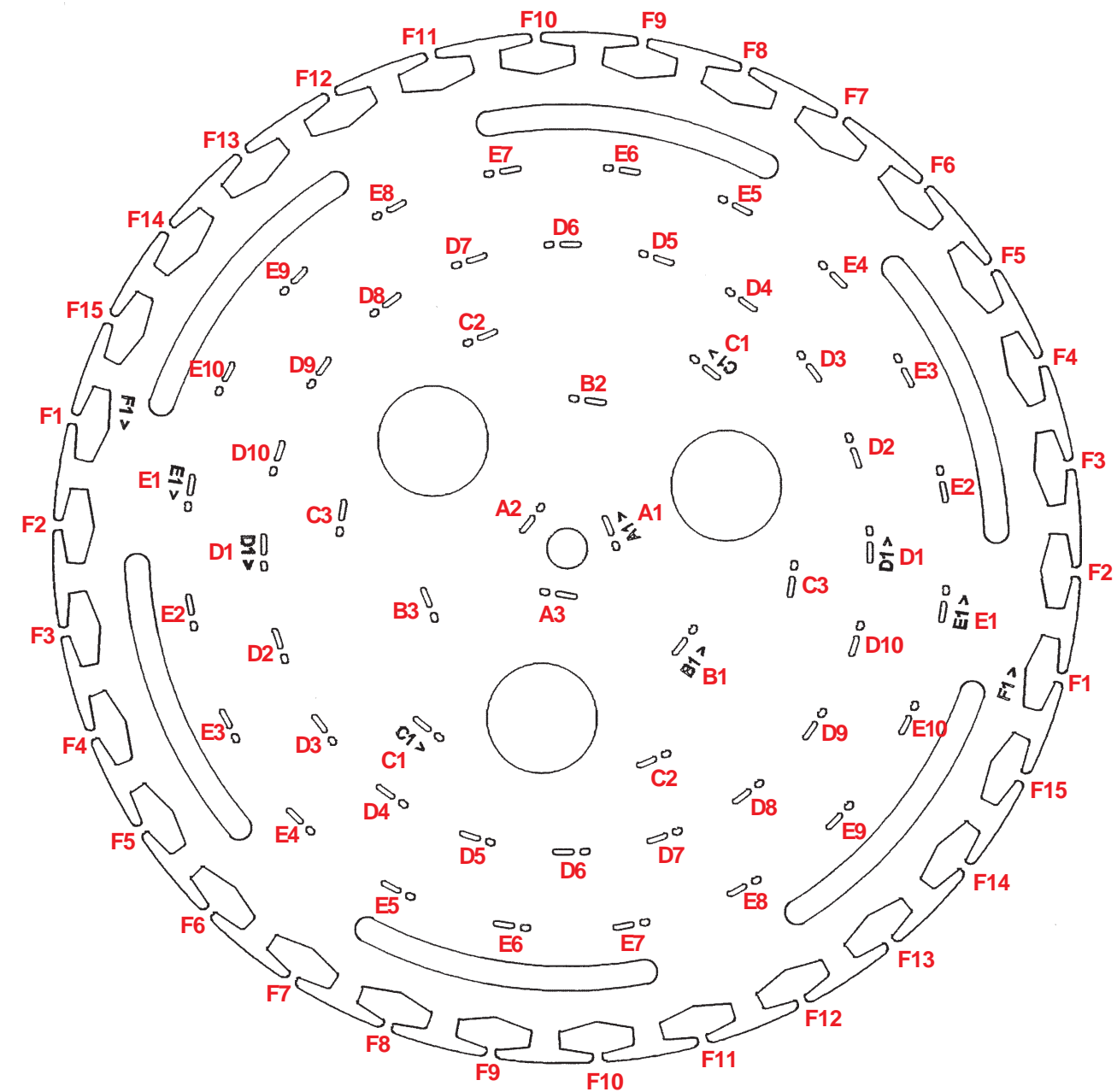




3 X  : GU10 35W MAX 



7



- 8 A1 - A3
- 9 B1 - B3
- 10 C1 - C3
- 11 D1 - D10
- 12 E1 - E10
- 13 F1 - F15

After hanging all trim, remove labels from crystals. If residue remains, wipe off crystal with a soft, dry cloth.