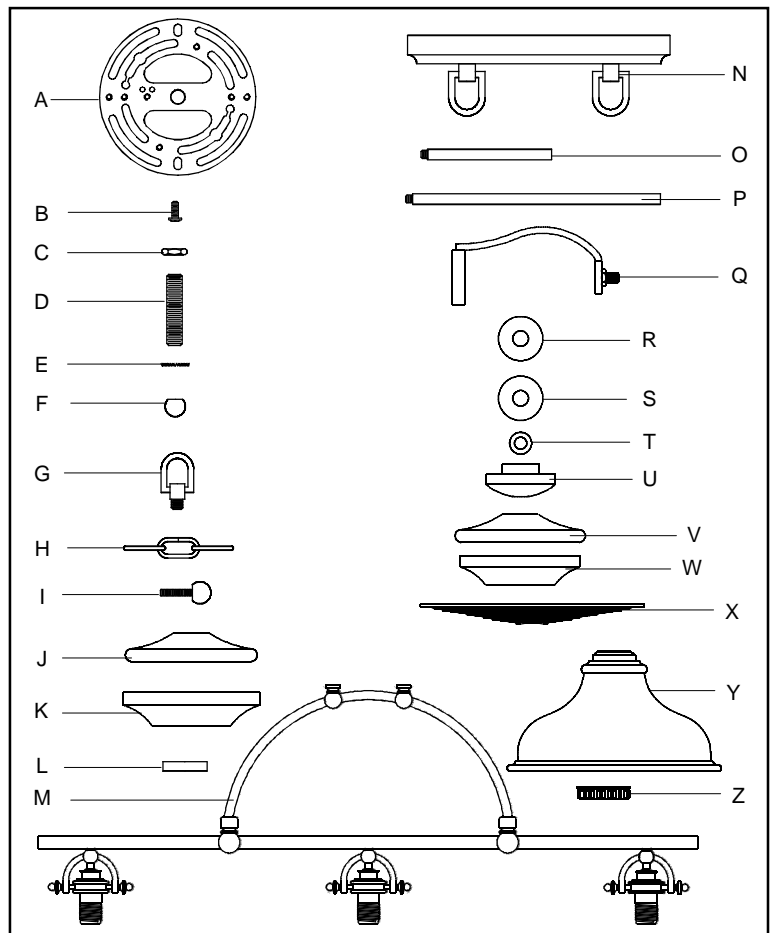


PACKAGE CONTENTS

ISSUED 07-2008

Revised 2008-11-10

Part	Description	Quantity
A	Crossbar	1pc
B	Green Ground Screw	1pc
C	Hex Nut	3pcs
D	Nipple	1pc
E	Lock Washer	2pcs
F	Lock Ball	1pc
G	Fixture Loop with Nipple	2pcs
H	12" Fixture Chain	2pcs
I	Lock Screw	2pcs
J	Fixture Cover A (small center hole)	2pcs
K	Fixture Cover B (small center hole)	2pcs
L	Steel Collar	3pcs
M	Socket Assembly	1pc
N	Ceiling Canopy	1pc
O	6" Rod	4pcs
P	12" Rod	4pcs
Q	Socket Collar with Harp	3pcs
R	Big Flat Washer	3pcs
S	Rubber Washer	3pcs
T	Small Flat Washer	3pcs
U	Finial	3pcs
V	Fixture Cover C (large center hole)	1pc
W	Fixture Cover D (large center hole)	1pc
X	Diffuser	3pcs
Y	Shade	3pcs
Z	Socket Upper Collar	3pcs



! WARNINGS AND CAUTIONS

WARNING:

- Before beginning the installation, turn off electricity at the circuit breaker box or the main fuse box by switching off the circuit breaker or removing the fuse.

CAUTIONS:

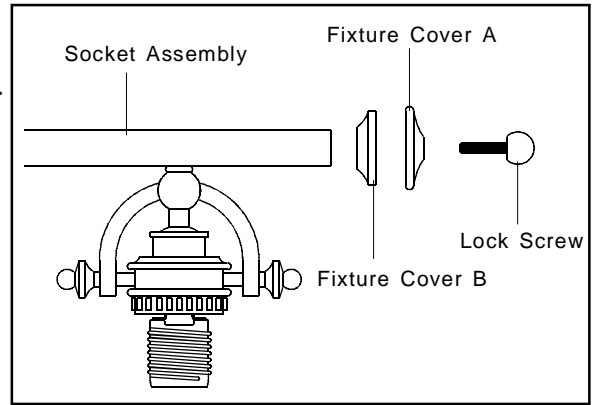
- These instructions are provided for your safety. It is very important that they are read completely before the installation of your fixture. We strongly recommend that a professional electrician install the fixture.
- Disconnect fixture from the power source before replacing the bulb(s), making sure the bulb(s) had sufficient time to cool down. DO NOT subject the lamp to any shock while lit as shattering of lamp may result.

PREPARATION

- Before beginning installation of product, make sure all parts are present. Compare parts with package contents list and diagram above. If any part is missing or damaged, do not attempt to assemble, install or operate the product. Contact customer service for replacement part.
- Estimated Assembly Time: 30 - 45 minutes
- Tools Required for Assembly (not included): Flathead screwdriver, Phillips screwdriver, pliers, electrical tape, wire cutters, safety glasses & 3, 100 Watt, Type-A Medium Base Bulbs.
- Helpful Tools (not included): Wire Strippers.

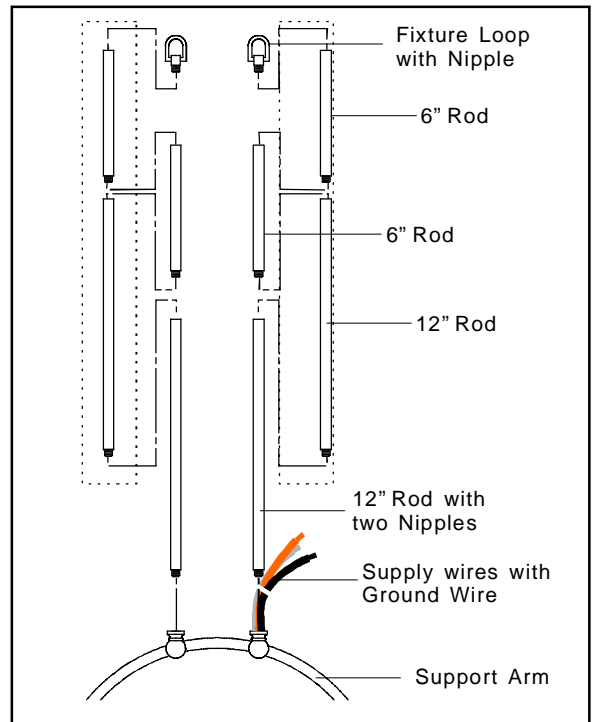
STEP 1:

- Place Fixture Cover B and Fixture Cover A onto the end of the Socket Assembly as shown in the illustration.
- Place Lock Screws through the holes on Fixture Covers and thread into ends of the Socket Assembly. Hand tighten until snug to secure Fixture Covers.



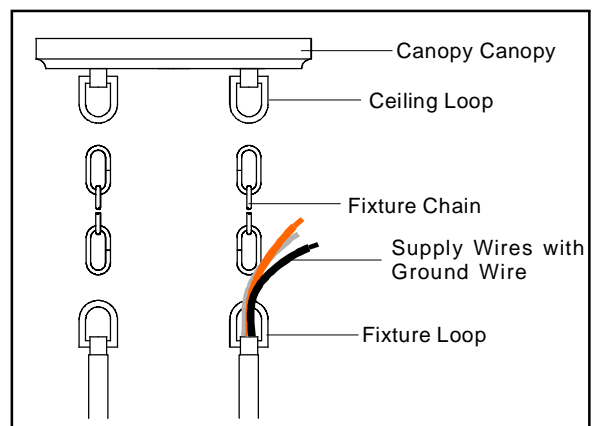
STEP 2:

- Determine the Rods to be assembled according to your desired hanging height.
- Pass the Supply Wires with Ground Wire through the chosen Rods and then thread Rods and Support Arm together as shown. Tighten until snug.
- Thread Fixture Loops with Nipples into the top ends of Upper Rods. Hand tighten until snug.



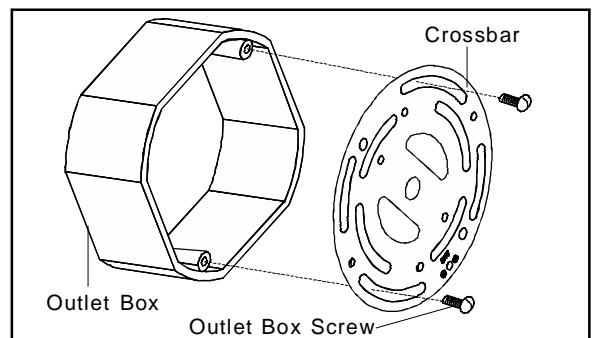
STEP 3:

- Adjust the Fixture Chain length according to your desired hanging height. Please note that depends on the material thickness, you might be required to use plier to spread links open.
- Attach one ends of Fixture Chains onto Ceiling Loops on the bottom of the Ceiling Canopy. And then attach the other ends on to the Fixture Loops.
- Place Supply Wire with Ground Wire through the Fixture Chain alternating links.



STEP 4:

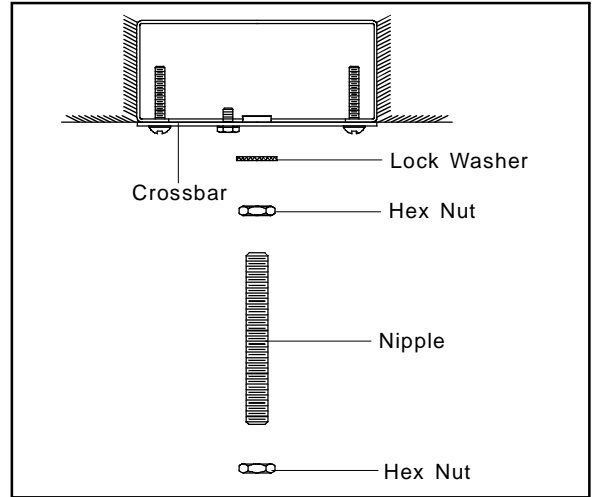
- Secure the Crossbar onto the Outlet Box with Outlet Box Screws. Tighten until snug.



STEP 5:

* Plier is required on this step.

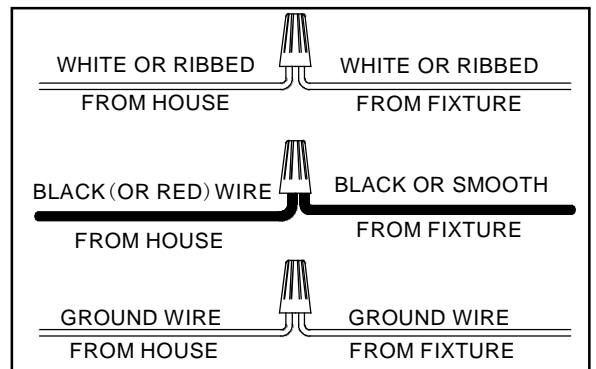
- a. Thread one Hex Nut onto top end of the Nipple.
- b. Place one Lock Washer over the top end of the Nipple and then thread the Nipple into the center lock hole of the Crossbar.
- c. Using plier, thread the Hex Nut against the crossbar and hand tighten until snug.
- d. Thread another Hex Nut onto the bottom end of the Nipple.



STEP 6:

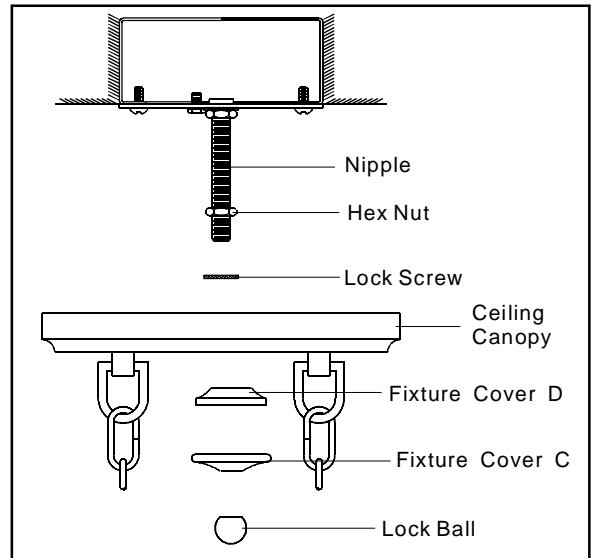
*Use Wire Connectors (not supplied) to connect the wires.

- a. Connect the House Ground Wire to the Fixture Ground Wire.
- b. Connect the House White (or Ribbed) Wire to the Fixture Supply Wire (White or Ribbed Side).
- c. Connect the House Black (or Red) Wire to the Fixture Supply Wire (Black or Smooth Side).
- d. Wrap each connection with approved electrical tape and carefully stuff all of the connected wires into the Outlet Box.



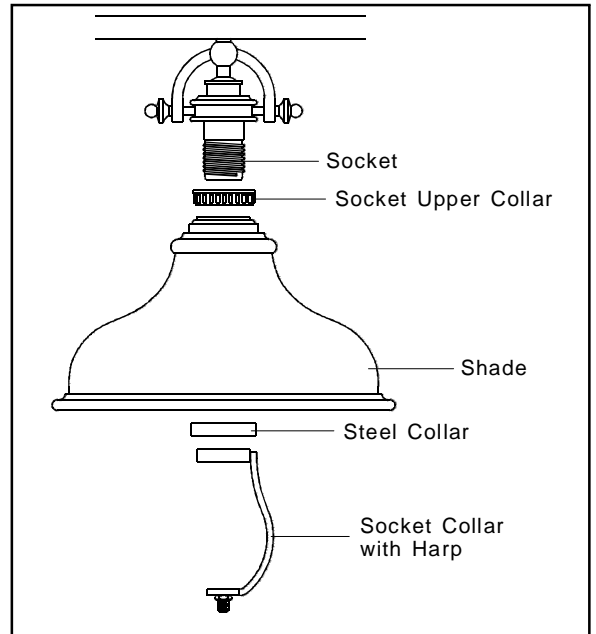
STEP 7:

- a. Adjust Hex Nut on the end of the Nipple to make sure it is attached inside of the Ceiling Canopy. You might be required to adjust more than two times to achieve this result.
- b. Place Lock Washer, Ceiling Canopy, Fixture Cover D and C over the end of the Nipple in turn. Secure them against Outlet Box with Lock Ball. Hand tighten until snug.



STEP 8:

- a. Place Socket Upper Collars, Shades and Steel Collars over Sockets setting onto the Shade Holders. Thread Socket Collars with Harps onto the Sockets and hand tighten until snug to secure them.

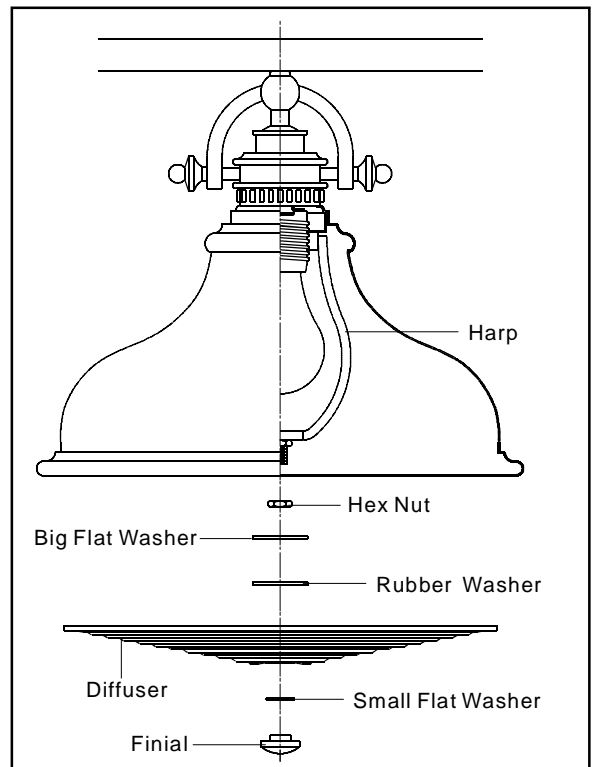


STEP 9:

- a. Install correct Bulb referring to fixture markings and/or labels for maximum wattage.

STEP 10:

- a. Thread the Hex Nut onto the nipple on the bottom end of the Harp and adjust to proper location for rest components.
- b. Place Big Flat Washer, Rubber Washer, Diffuser and Small Flat Washer over the end of the Harp as shown. Secure them by threading the Finial onto the nipple on the bottom end of the Harp. Hand tighten until snug.



Your installation is completed now. Restore electricity. Retain this sheet for future reference.