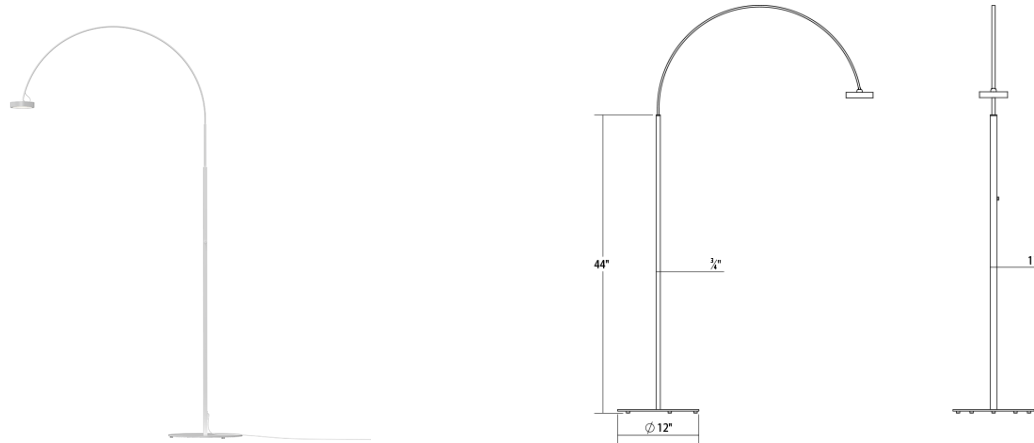


SONNEMAN
A WAY OF LIGHT

pluck™ Large LED Floor Lamp

2848.03



DIMENSIONS

Height	60"
Minimum Height	60"
Maximum Height	72"
Width	37.75"
Depth	12"
Canopy/Backplate/Base	12"
Switch Type	4-Step Touch Dimmer"

ELECTRICAL SPECS

Bulb Type	Integral LED
Bulb Quantity	1
Bulb Included?	Yes
Wattage	8
Initial Lumens	650
Input Voltage	120-240VAC
CCT	3000K
CRI	90
Power Supply Type	Driver
Power Supply Quantity	1
Power Supply Location	Plug
Dimming Type	Non-Dimmable

SHIPPING

SHADE 1

Quantity	1
Color	White
Material	Diecast Alum. w/LED Flat Panel
Height	0.75"

AVAILABLE FINISHES

Satin White (.03)
Bright Satin Aluminum (.16)
Satin Black (.25)

GENERAL LISTINGS

cETL
cUL
Damp Location

PROJECT

QUANTITY

NOTES