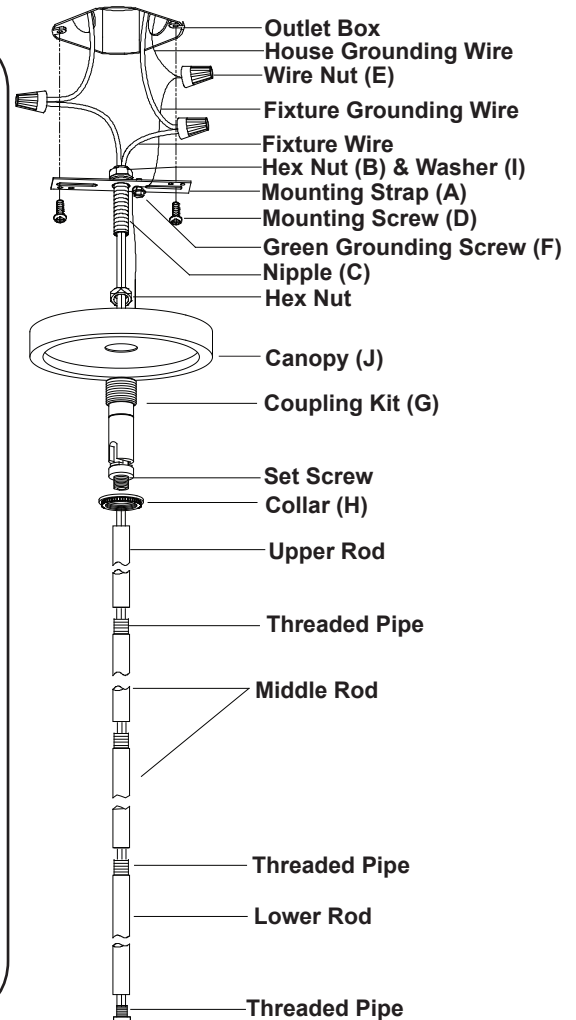
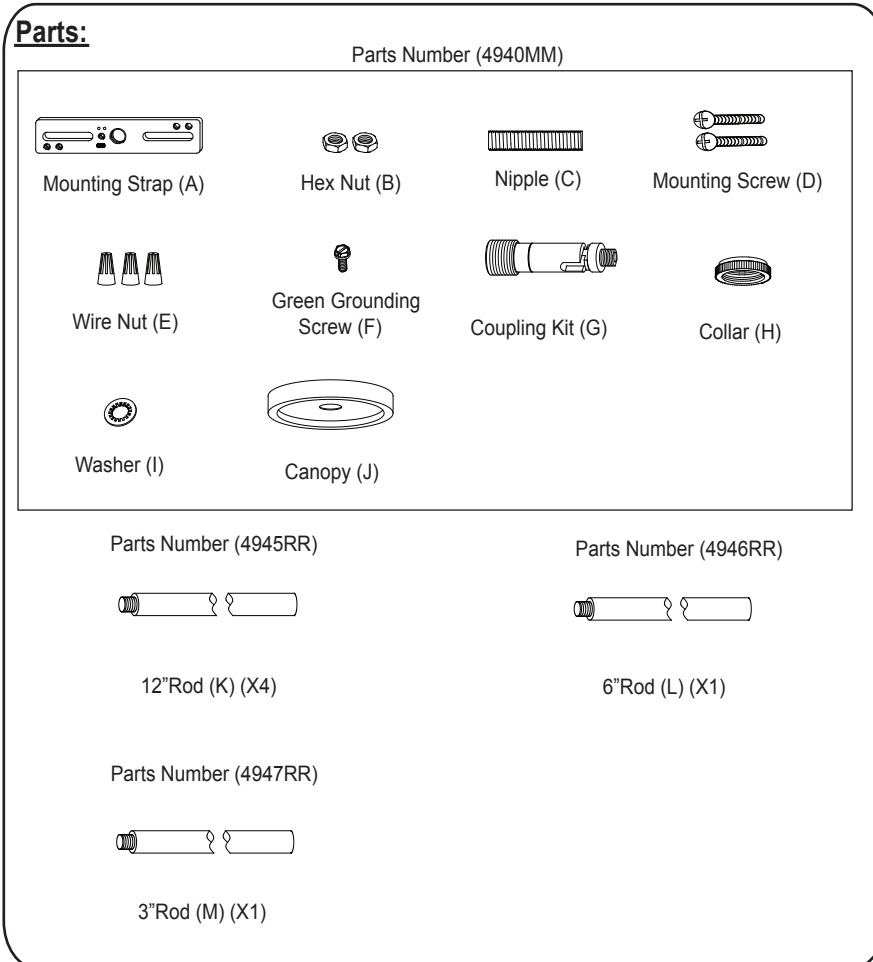


# ASSEMBLY AND INSTALLATION INSTRUCTIONS

P0101

**WARNING: BE SURE TO SHUT OFF POWER AT THE MAIN FUSE OR CIRCUIT BREAKER BOX BEFORE INSTALLING OR SERVICING THIS FIXTURE.**

**NOTE: 1. Before installing, consult local electrical codes for wiring and grounding requirements.  
2. READ AND SAVE THESE INSTRUCTIONS.**

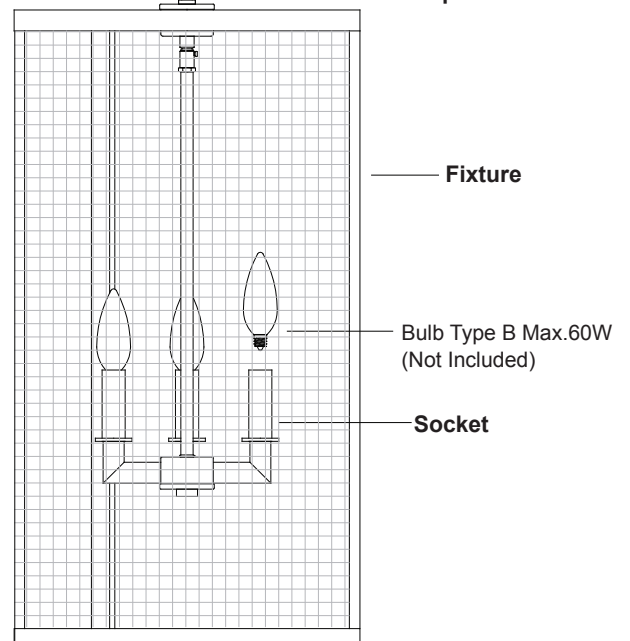


## 1. Rod Connections:

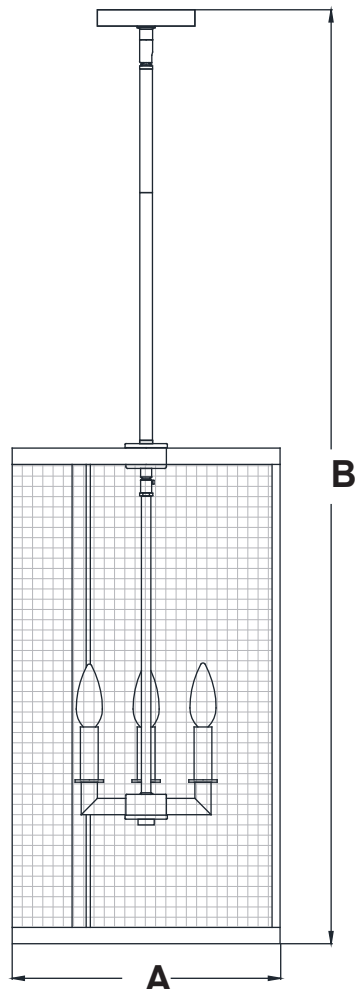
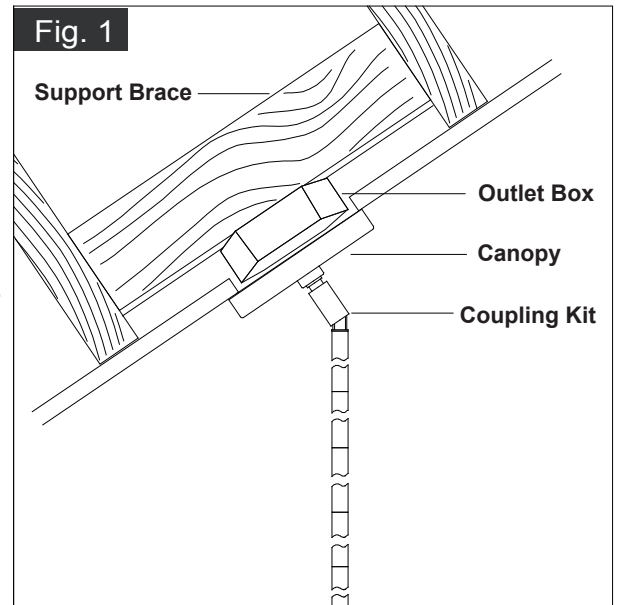
- Thread the fixture wire from the fixture through the lower rod, then secure the lower rod onto fixture using the threaded pipe.
- Thread the fixture wire through the middle rod, and then secure the middle rod onto the lower rod using the threaded pipe.
- Thread the fixture wire through the upper rod, and then secure the upper rod onto the middle rod using the threaded pipe.

**The height can be adjustable to 30-1/2"~84-1/2", by using the rods.**

- Thread the fixture wire through the collar, coupling kit, canopy, then secure the rod assembly to the coupling kit.
- Thread the fixture wire through the nipple, hex nut and mounting strap. Install the hex nut onto one end of the nipple leaving about 3/8" (10mm) thread exposed. Install same end of nipple by screwing into coupling kit, secure nipple by tightening hex nut.



4. Attach the nipple to the mounting strap, then secure it with hex nut and washer.
5. Attach the mounting strap to outlet box by using two mounting screws.
6. Pull out the outlet wires and the house grounding wire from the outlet box. Make wire connections using the wire nuts:
  - The black wire from fixture to the black wire from power source.
  - The white wire from fixture to the white wire from power source.
  - Attach the fixture grounding wire to the mounting strap with the green grounding screw. Then connect it to the house grounding wire with the wire nut.
 Carefully put the wires back into the outlet box.
7. Attach the canopy to the mounting strap, and secure it with collar.
8. Install bulbs (not included). See relamping label at socket area or packaging for maximum allowed wattage.
9. Turn on the power at the main fuse or circuit breaker box.
10. **Angled mounting recommended for a vaulted or angled ceiling. (See Fig. 1)**



**A: 13"**

**B: 30-1/2" ~ 84-1/2"**