

NPR-4RNB

4" Pearl LED Round Bullnose Retrofit

Source: 12W LED
1000lm

Type

Project

Catalog No.

Notes

PRODUCT DESCRIPTION

Pearl LED Retrofit series is cULus classified for use in existing IC or Non-IC housings manufactured by Nora and others. The 4" retrofit luminaires deliver over 1200 lumens with filleted aperture which allows for minimal aperture brightness while still producing the nadir footcandles.

FEATURES

- 1000lm LED output
- Comfort Dim (warm dimming) also available in 800lm only
- 2700K, 3000K, 3500K, 4000K @ 90+ CRI
- Field changeable optics included (Spot, Narrow Flood and Flood - installed)
- Integral dimmable driver
- Includes medium base socket adapter for easy retrofitting in 4" recessed housings
- 5-year limited warranty
- ENERGY STAR certified
- cULus classified for wet locations

SPECIFICATION

Construction: Reflectors are constructed of heat dissipating, die-cast aluminum. The aluminum die-cast LED heat sink is threaded to fit the reflector and transfer heat.

Mounting: Reflector includes friction blades to mount securely to housing.

OPTICS

Each reflector includes field changeable optics (28° spot, 39° narrow flood and 65° flood - preinstalled). Premium 15° and 25° TIR optics are also available.

ELECTRICAL

Input Voltage: 120V

Lumens / Wattage: 1000lm / 12W (800lm w/ Comfort Dim)

Color Temperature: 2700K, 3000K, 3500K, 4000K

CRI: 90+CRI

Operating Temp.: 0°C to 25°C ambient temperature

Lifetime: 50,000 hours @ L70

Comfort Dim: Comfort Dim color tunes the temperature from a bright 3100K, to a romantic and comfortable 2000K on a gradual, even curve. Available in 800lm only.

Dimming: Triac or ELV

[Click Here](#) or check complete dimmer list at

www.NoraLighting.com in the "Compatibility" page under "Resources" tab

COMPATIBLE HOUSINGS

Pearl retrofit reflectors are compatible with most 4" IC and Non-IC housings by Nora and others.

Fire Box

NFBIC-4LMRATA* ICAT Dedicated LED

NFBIC-4INCATA ICAT Line Voltage

New Construction

NSIC-4LMRAT* Max. Adjustability ICAT Dedicated LED

NHIC-4LMRAT* ICAT Dedicated LED

NHIC-4LMRAT/277* ICAT Dedicated LED, 277V

(includes step-down transformer)

NSIC-401QAT ICAT Line Voltage

NS-401QAT AT Line Voltage

NHIC-4G24AT ICAT GU24

Remodel

NHRIC-4LMRAT* ICAT Dedicated LED

NSRIC-404QAT ICAT Line Voltage

NSR-404QAT AT Line Voltage

NHRIC-4G24AT ICAT GU24

* Nora Dedicated LED housings are cULus listed for use only with Nora LED Retrofits.

Retrofit: Pearl retrofit series includes medium base screw-socket adapter (NRA-211SM) for retrofitting into existing medium base downlight housings. GU24 socket adapter is available for use with GU24 housings, must specify NRA-212SM.

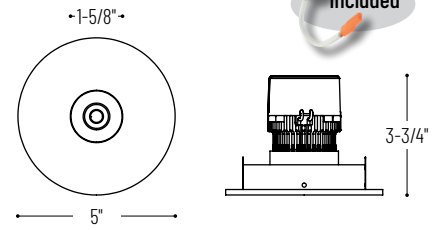
Accessories: Reflectors will accommodate (1) hex louver and (1) translucent deco collar or opaque snoot, no accessory holder is required, see accessories page.

LABELS AND LISTINGS

- cULus classified for Wet Locations
- ENERGY STAR certified
- RoHS compliant
- [5-Year Limited Warranty](#)
- Certified to the high efficacy requirements of California Title 24 JA8-2019



PRODUCT IMAGES & DIMENSIONS



NPR-4RNB
Round Bullnose
Non-Adjustable



BB
Black



BZ
Bronze



MPW
Matte Powder White



NN
Natural Metal



WW
White

4" Pearl LED Round Bullnose Retrofit

Reflector Type	Color Temperature / Lumens	Finish
NPR-4RNB = Round Bullnose	27X = 2700K / 1000lm	BB = Black
	30X = 3000K / 1000lm	BZ = Bronze
	35X = 3500K / 1000lm	MPW = Matte Powder White
	40X = 4000K / 1000lm	NN = Natural Metal
	CDX = Comfort Dim / 800lm	WW = White

Example: **NPR-4RNB27XWW** = 4" Pearl LED Round Bullnose Retrofit, 2700K / 1000lm, White finish

4" Pearl LED Retrofit Accessories

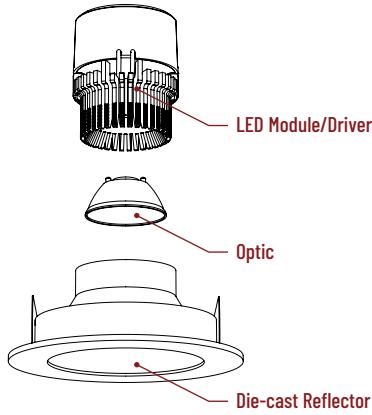
Pearl LED Round Bullnose Retrofit

Type
Project
Catalog No.
Notes

FIELD CHANGEABLE OPTICS

Pearl reflectors include spot, narrow flood and flood optics. Optics can be changed in the field by removing LED module from die-cast reflector. Replacement optics include an optional frosted lens.

Note: Premium TIR optics are not compatible with Comfort Dim LED modules.



Frosted Filter-Optic

NIO-REFL15FR	15° Optic
NIO-REFL25FR	28° Optic
NIO-REFL38FR	39° Optic
NIO-REFL60FR	65° Optic

Optic assemblies includes specified optic and optional frosted lens. 28°, 39° and 65° optics are included with each reflector.



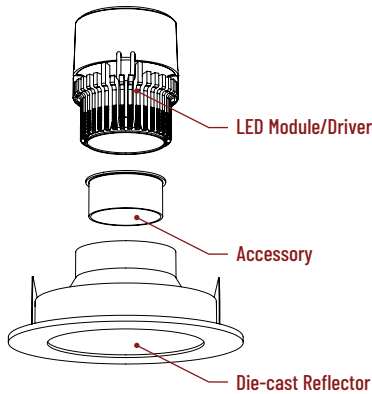
Premium TIR Optics

NIO-REFLTIR15	15° Optic
NIO-REFLTIR25	25° Optic

Premium TIR (total internal reflection) optics create optimal spot and narrow flood beam spread.
Not compatible with Comfort Dim (CDX) LED module

ACCESSORIES

Pearl accessories can be added at any point in the design process. Accessories easily install between LED module and die-cast reflector. Luminaire will accommodate (1) hex louver and (1) collar accessory, no accessory holder required.



Translucent Decorative Collar

NIO-AS14(color)	5/8" length
NIO-AS19(color)	3/4" length
NIO-AS26(color)	1" length
Color:	
AM (amber), BLU (blue), FR (frosted), R (red)	

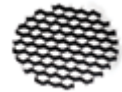
Translucent collars color the aperture with the specified color while producing white general light. Collars are available in different lengths. Use to add interest, create a theme, match a theme or define a space.



Opaque Collar Snoot

NIO-AS14(color)	5/8" length
NIO-AS19(color)	3/4" length
NIO-AS26(color)	1" length
Color:	
BLK (black), MPW (matte powder white), WH (white)	

Opaque snoot greatly reduces aperture brightness while preserving light output. (Note: Black snoot will reduce light)



Hex Cell Louver

NIO-HC	Black
--------	-------

Hex cell louver subtly reduces aperture brightness by reducing light output by about 20%.

PHOTOMETRICS

4" Pearl LED Round Bullnose Retrofit

Type

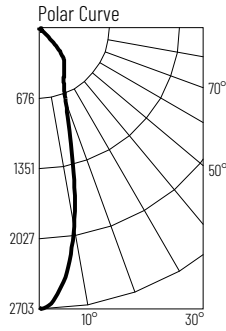
Project

Catalog No.

Notes

Test Information

Test Number: NTR1530
 Part Number: NPR-4RNB30XXWW
 Beam Spread: 28° Spot
 Lumens: 1248lm
 Wattage: 11.65W
 Efficacy: 107lpw
 CCT / CRI: 3000K / 90 CRI
 Spacing Criteria (0°-180): 0.48
 Spacing Criteria (90°-270): 0.48



Illuminance at a Distance

Distance from Luminaire	FC at Nadir	Beam Diameter
4'	168fc	2'
6'	74.7fc	3'
8'	42fc	4'
10'	26.9fc	5'
12'	18.7fc	6'

Zonal Lumen Summary

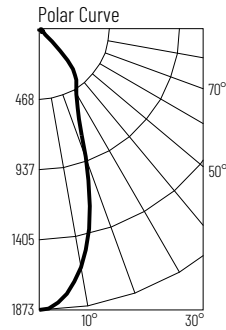
Zone	Lumens	% Luminaire
0-30	821	65.8
0-40	1085	86.9
0-60	1228	98.4
0-90	1245	99.8
90-180	3	0.2
0-180	1248	100

Candela Table

Vertical Angles	Candela
0	2691
5	2484
15	1216
25	562
35	423
45	155

Test Information

Test Number: NTR1531
 Part Number: NPR-4RNB30XXWW
 Beam Spread: 39° Narrow Flood
 Lumens: 1258lm
 Wattage: 11.68W
 Efficacy: 108lpw
 CCT / CRI: 3000K / 90 CRI
 Spacing Criteria (0°-180): 0.66
 Spacing Criteria (90°-270): 0.66



Illuminance at a Distance

Distance from Luminaire	FC at Nadir	Beam Diameter
4'	117fc	2'-10"
6'	52fc	4'-4"
8'	29.3fc	5'-8"
10'	18.7fc	7'-1"
12'	13fc	8'-6"

Zonal Lumen Summary

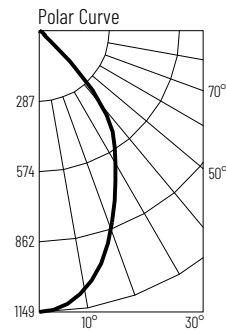
Zone	Lumens	% Luminaire
0-30	817	65
0-40	1085	86.3
0-60	1235	98.2
0-90	1255	99.8
90-180	3	0.2
0-180	1258	100

Candela Table

Vertical Angles	Candela
0	1873
5	1800
15	1302
25	622
35	432
45	161

Test Information

Test Number: NTR1532
 Part Number: NPR-4RNB30XXWW
 Beam Spread: 65° Flood
 Lumens: 1246lm
 Wattage: 11.67W
 Efficacy: 107lpw
 CCT / CRI: 3000K / 90 CRI
 Spacing Criteria (0°-180): 0.9
 Spacing Criteria (90°-270): 0.92



Illuminance at a Distance

Distance from Luminaire	FC at Nadir	Beam Diameter
4'	71.8fc	5'-1"
6'	31.9fc	7'-8"
8'	17.9fc	10'-2"
10'	11.5fc	12'-10"
12'	8fc	15'-4"

Zonal Lumen Summary

Zone	Lumens	% Luminaire
0-30	720	57.7
0-40	1018	81.7
0-60	1221	98
0-90	1243	99.8
90-180	3	0.2
0-180	1246	100

Candela Table

Vertical Angles	Candela
0	1149
5	1128
15	983
25	736
35	529
45	179

Lumen Output Multipliers

Color Temperature: 2700K (0.97), 3000K (1.00), 3500K (1.05), 4000K (1.09)