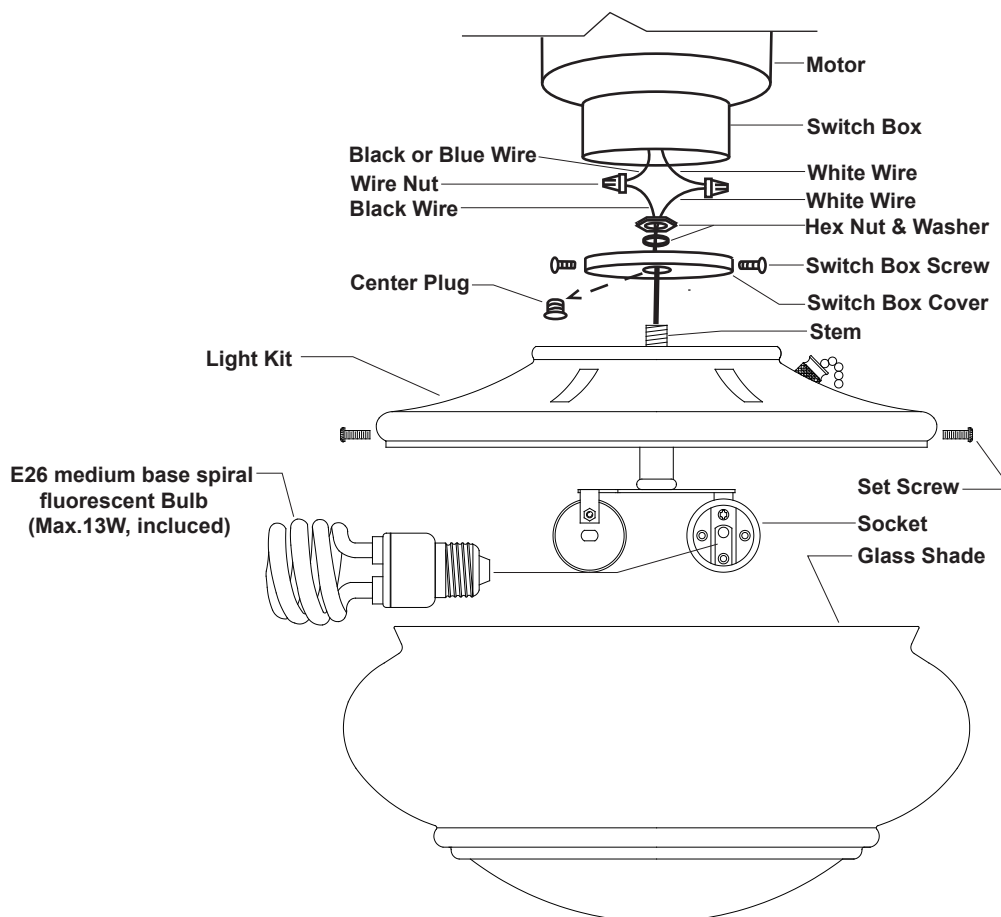


ASSEMBLY AND INSTALLATION INSTRUCTIONS

LK51216

WARNING: BE SURE TO SHUT OFF POWER AT THE MAIN FUSE OR CIRCUIT BREAKER BOX BEFORE INSTALLING OR SERVICING THIS FIXTURE.

NOTE: 1. Before installing, consult local electrical codes for wiring and grounding requirements.
2. The combined weight of your ceiling fan and light kit cannot exceed 35 pounds unless additional support is provided for the fan.



1. Remove the switch box cover from the switch box of the fan by loosening the three switch box screws.
2. Unscrew the center plug from the switch box cover and discard it.
3. Thread the fixture wire through the switch box cover.
4. Attach the switch box cover to the light kit, then secure it with a washer and hex nut.
5. Pull out the wires from the switch box. Make wire connections using the wire nuts:
 - The black wire from light kit to the black or blue wire from the fan.
 - The white wire from light kit to the white wire from the fan.
 - Carefully put wires back into the switch box.
6. Attach the switch box cover back to the switch box using the three switch box screws.
7. Install bulbs (included). See relamping label at socket area or packaging for maximum allowed wattage.
8. Attach the glass shade to the light kit, then secure it with the set screws.
9. Turn on the power at the main fuse or circuit breaker box.
(You can control the light with the pull chain.)