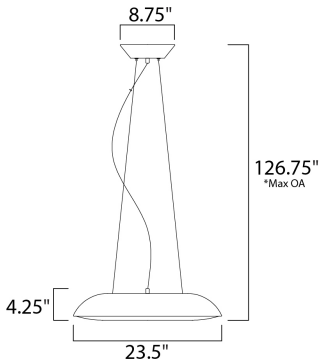




**PRODUCT DESCRIPTION**

Large scale pendants and ceiling lights finished in Matte Black and diffused through White acrylic are dimpled at the center with a Polished Chrome finial. Very bright and simple design makes this collection suitable for both contemporary and transitional settings.



\*max overall height

**MEASUREMENTS**

DIMENSION : 23.5" L x 23.5" W x 4.25" H  
 MAX OAH : 126.75" OAH  
 CANOPY : 2.25" H x 8.75" L  
 HANGING WEIGHT : 16.1 lb

**LAMPING**

INPUT VOLTAGE : 120V  
 LUMENS : 3,010 Rated (2,666 Del.)  
 BULB : 1 x 43W LED PCB Integrated , 43W Total  
 BULB INCLUDED : (Integrated)  
 DIMMABLE : Triac CL  
 CRI : 80+ CRI  
 COLOR\_TEMP : 3000K  
 LIGHTING\_DIRECTION : Down

**FINISHES OPTION**

 Black

**MATERIAL**

Steel, Acrylic

**RATINGS**

cETLus  
 Damp Location



**ADDITIONAL**

ADJUSTABLE  
 RATED LIFE 30000 Hours  
 OPERATING TEMPERATURE:  
 -20°C (-4°F), 40°C (104°F)

PHOTOMETRIC: Report Found Online

Always consult a qualified electrician before installing any lighting product.



**WESTERN DISTRIBUTION CENTER (HEADQUARTER)**  
 253 NORTH VINELAND AVE | CITY OF INDUSTRY, CA 91746  
**EASTERN DISTRIBUTION CENTER**  
 4200 SHIRLEY DR. | ATLANTA, GA 30336  
 P. 626.956.4200 | F. 626.956.4225 | et2online.com