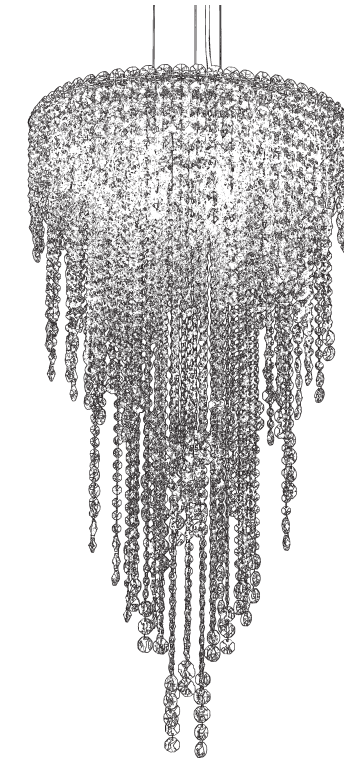




SCHONBEK®

CHANTANT
CH1812N- __ _ H



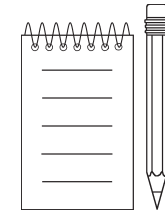
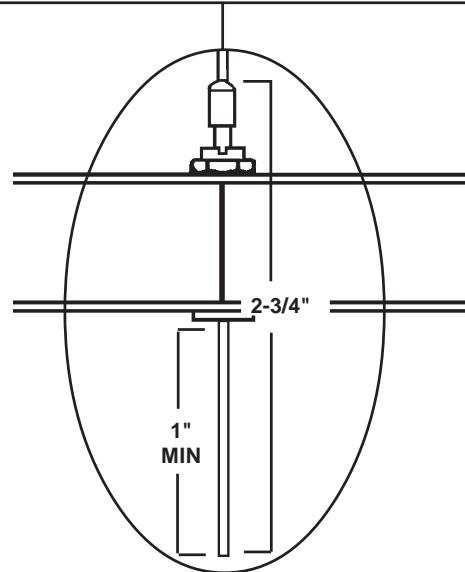
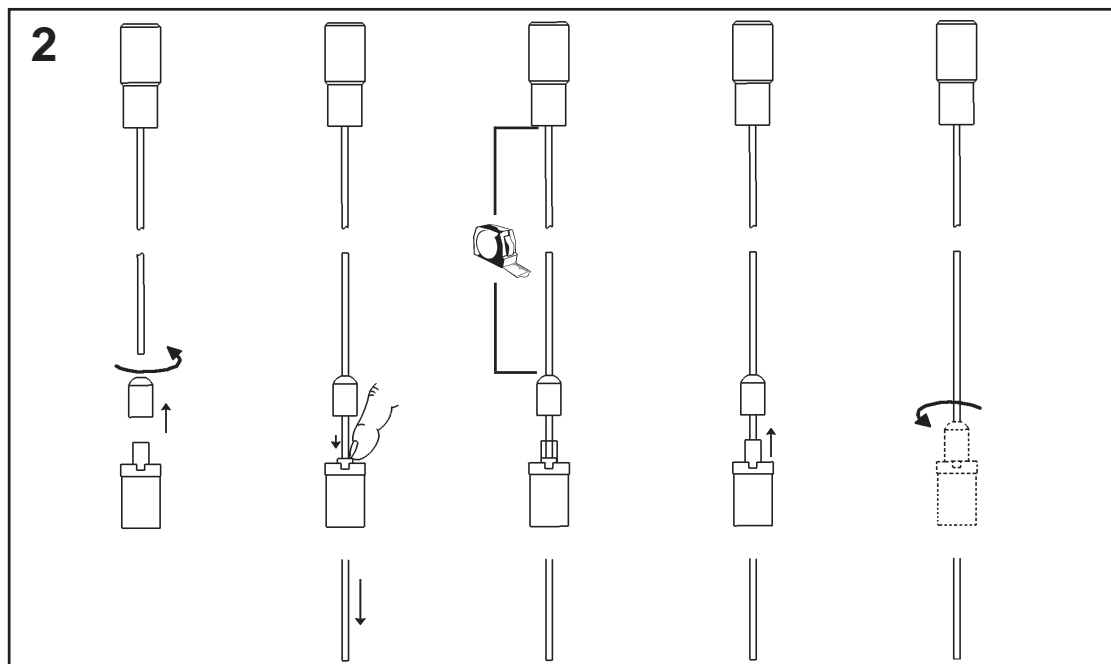
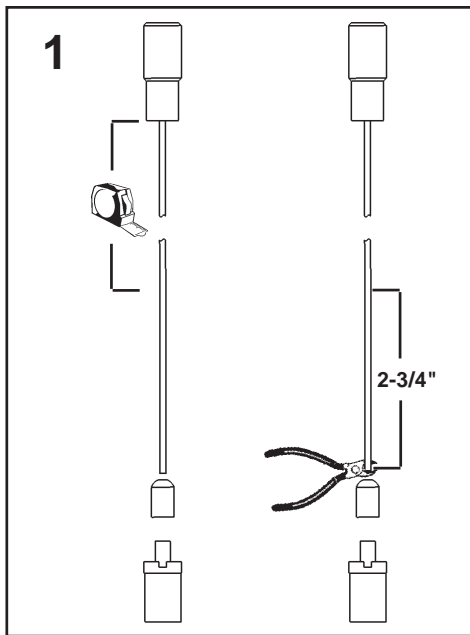
THIS DESIGN IS THE PROPRIETARY
TRADE DRESS/TRADE MARK OF
SWAROVSKI LIGHTING, LTD.

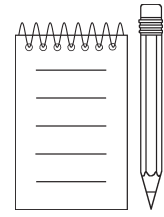
5 Lights
Diameter: 21"
Height: 41-1/2"
Hanging Weight: 37lbs.



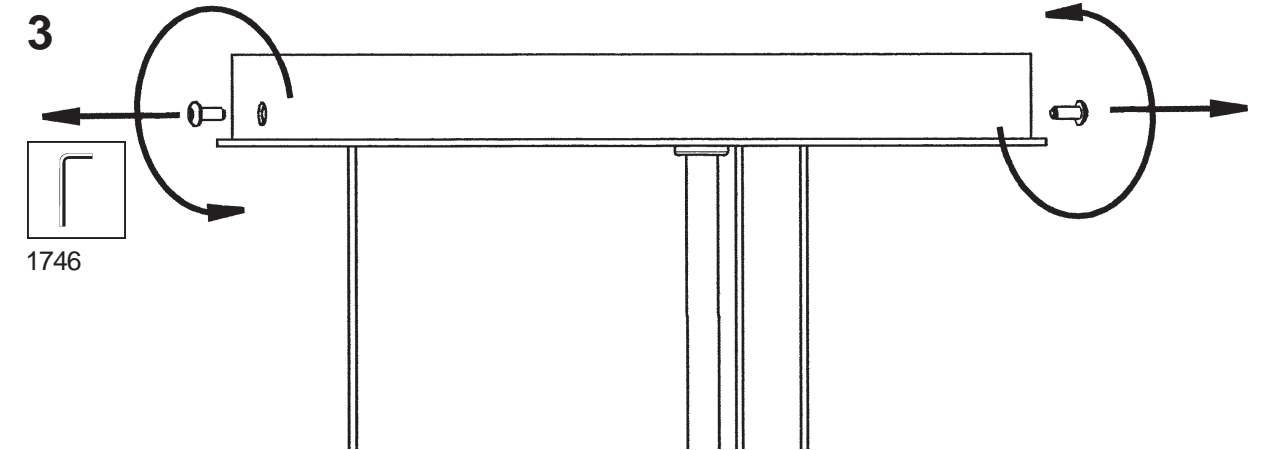
SCHONBEK®

MAX <u>50</u> W	110-120 V						



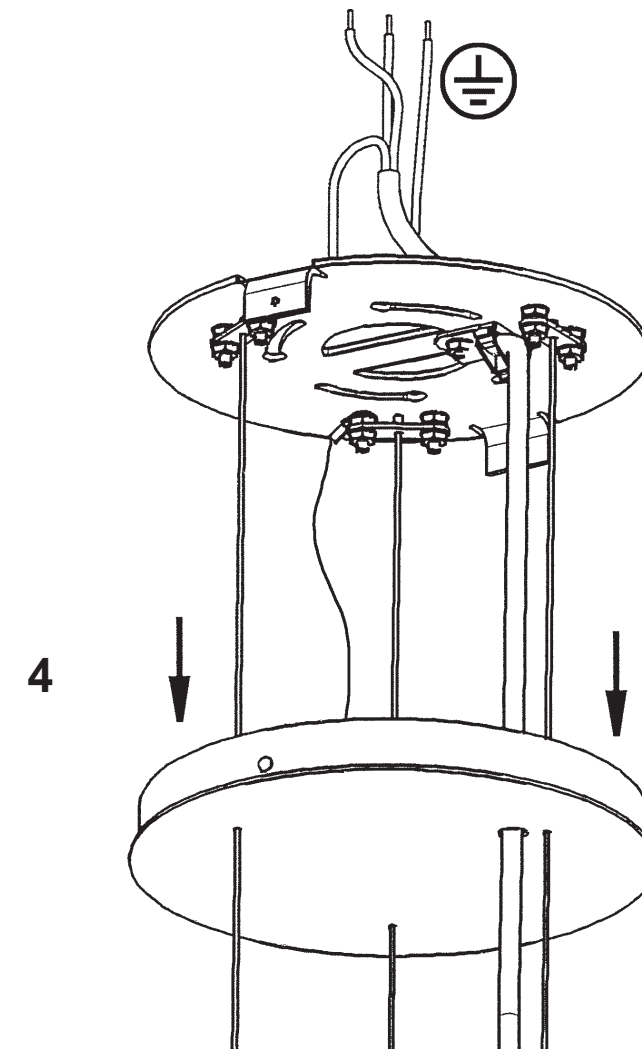


1X  : 1746

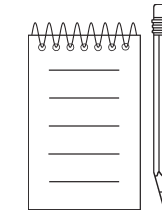
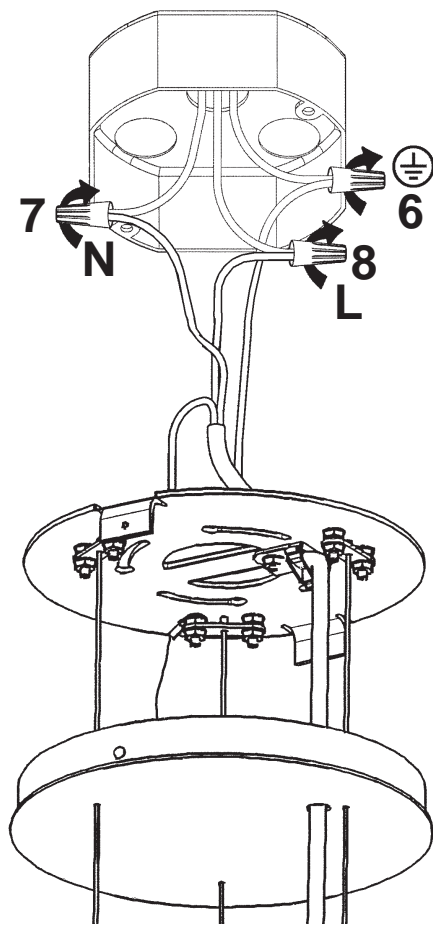
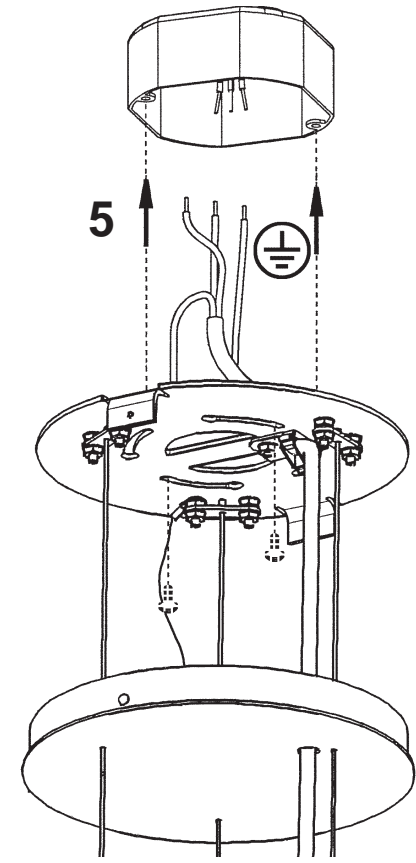


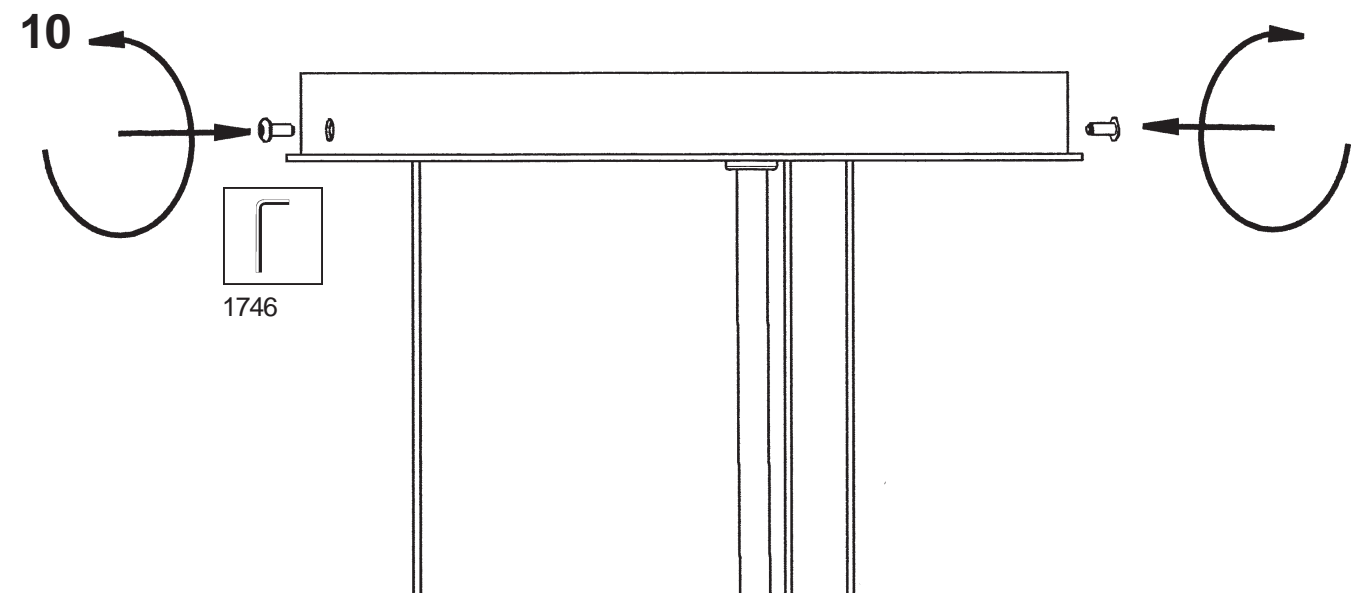
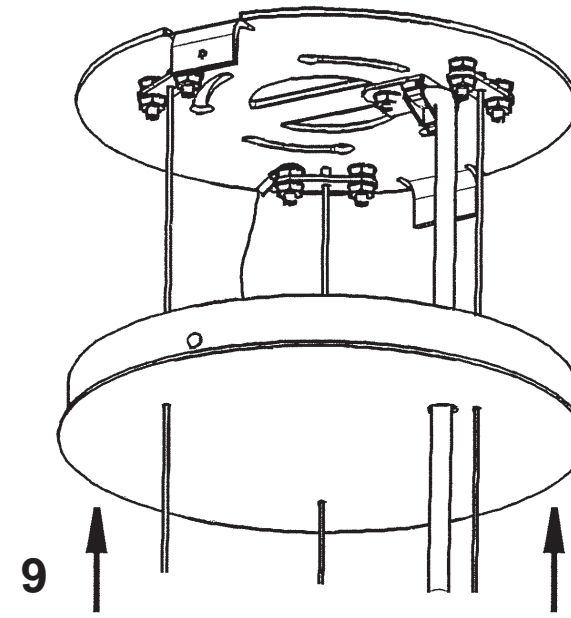
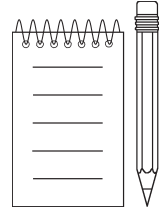

1746

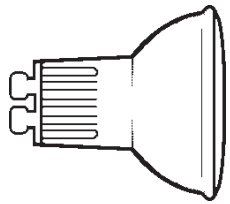

3

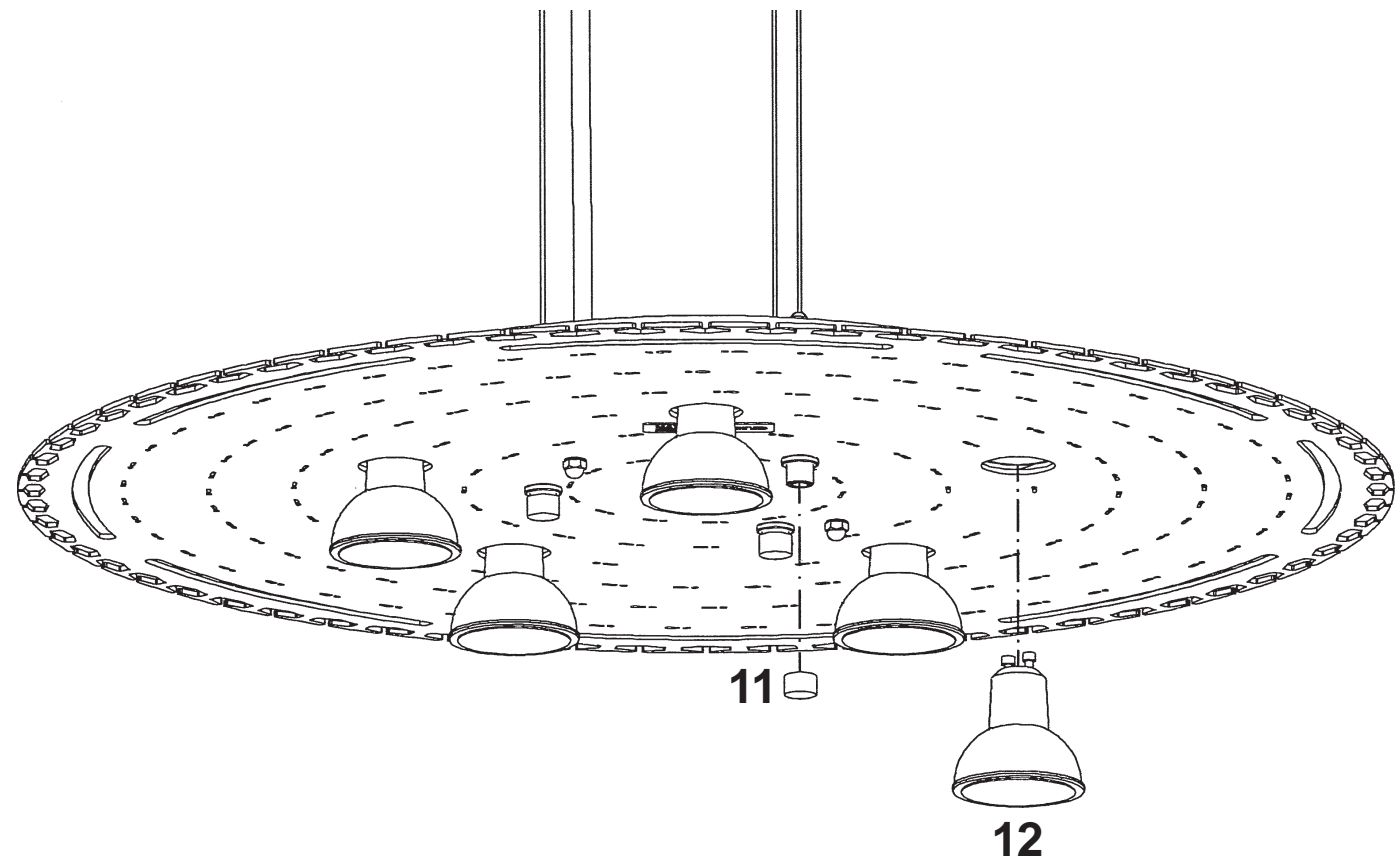


4



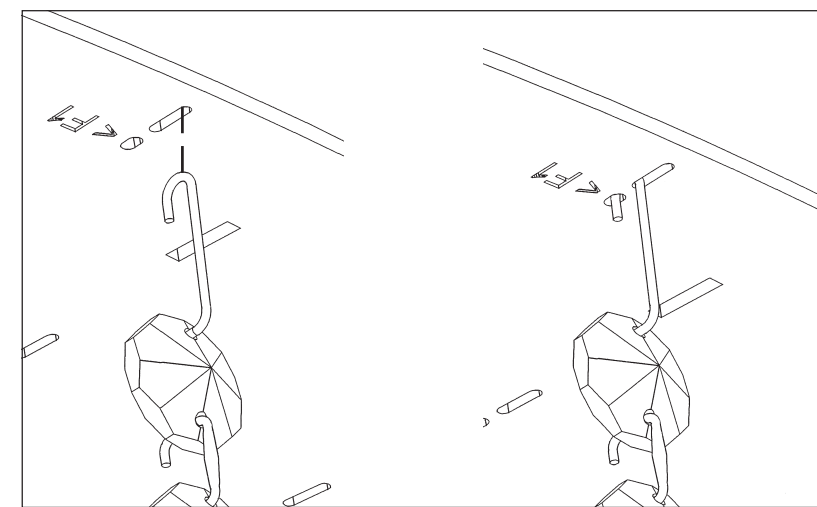
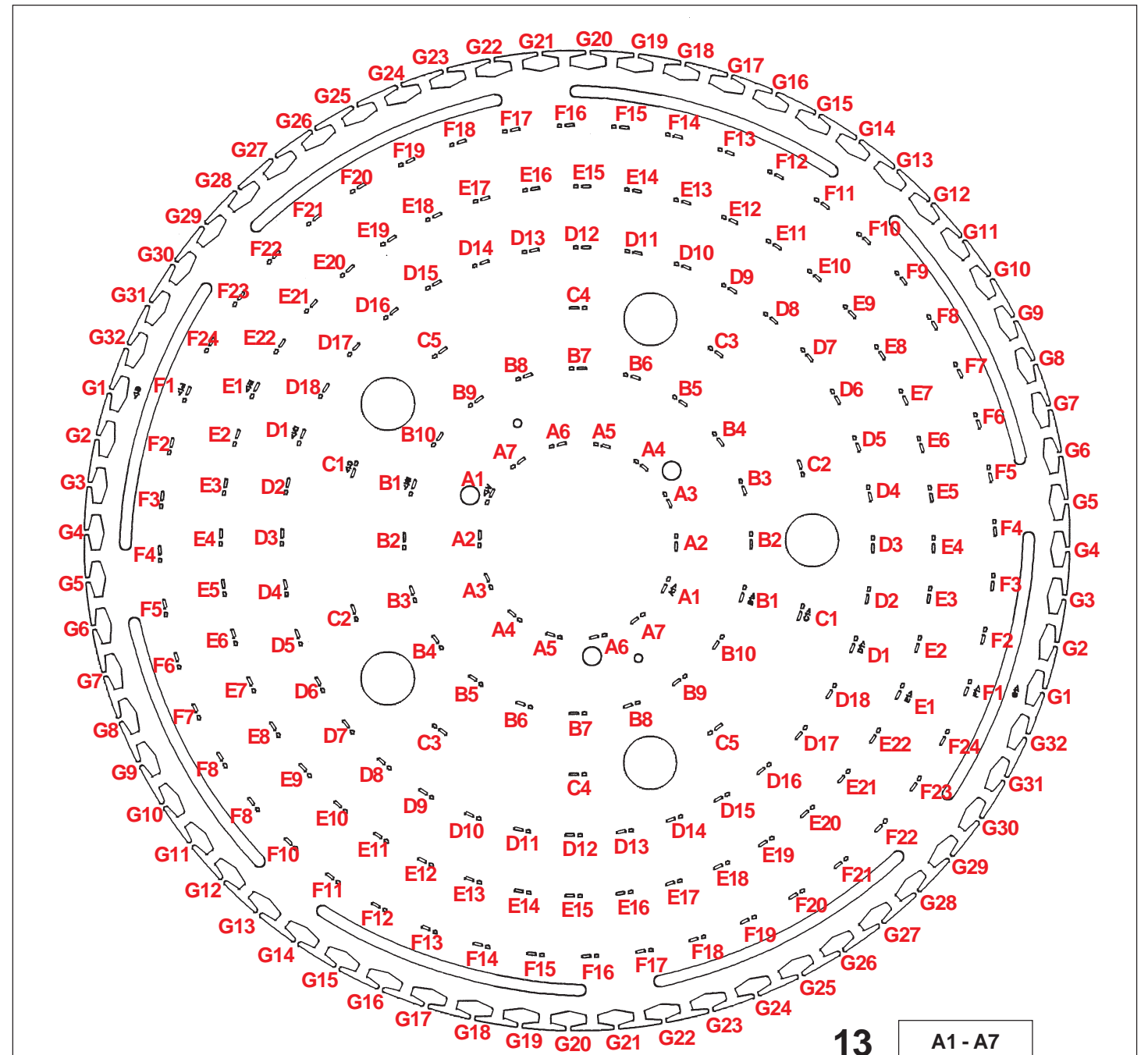


5 X  : GU10 50W MAX 



11

12



- 13 A1 - A7
- 14 B1 - B10
- 15 C1 - C5
- 16 D1 - D18
- 17 E1 - E22
- 18 F1 - F24
- 19 G1 - G32

After hanging all trim, remove labels from crystals. If residue remains, wipe off crystal with a soft, dry cloth.