



SCHONBEK®

STERLING 2999- __ __ H



THIS DESIGN IS THE PROPRIETARY TRADE DRESS/TRADemark OF SWAROVSKILIGHTING, LTD.

5 Lights
Diameter: 16"
Body Length: 17-1/2"
Hanging Weight: 10 lbs.

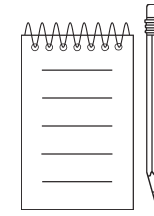
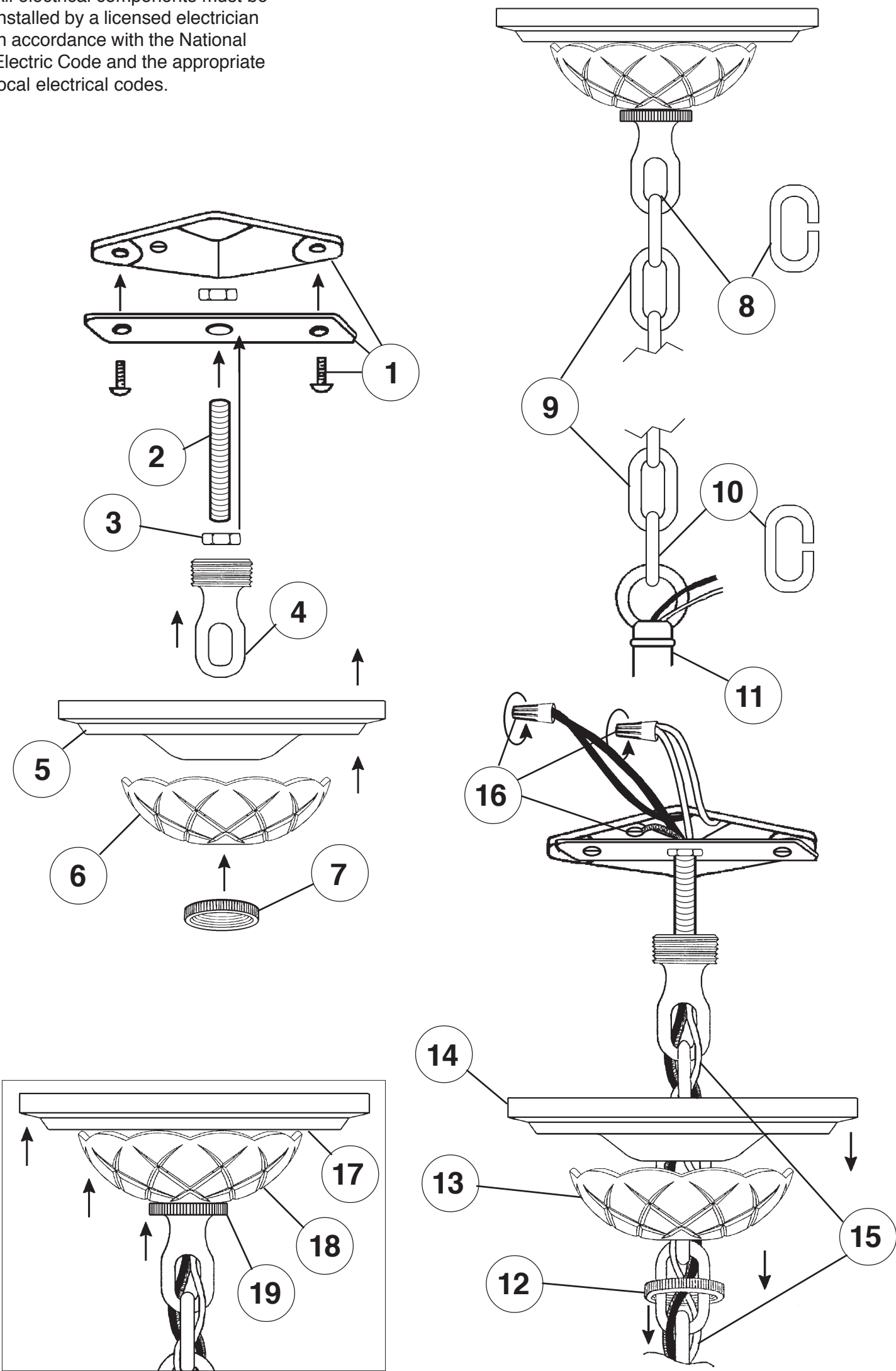


SCHONBEK®

MAX <u>60</u> W		110-120 V						

SCHONBEK® is a member of the Swarovski group.

All electrical components must be installed by a licensed electrician in accordance with the National Electric Code and the appropriate local electrical codes.







21

You will need 5 - B10
25 Watts Recommended
60 Watts Max

Install bulbs and be sure
to test fixture **BEFORE**
trimming.

20

Install arms into the holes on the washer. Line
up holes in arms with dimple in washer. Use lock
tapered nut to secure arms in place.



This end goes up
against washer.

Connect ground wire in each arm to ground wire in
center column. **NO MORE THAN 5-WIRES PER WIRE**
NUT. Use electrical tape to secure wire nuts.

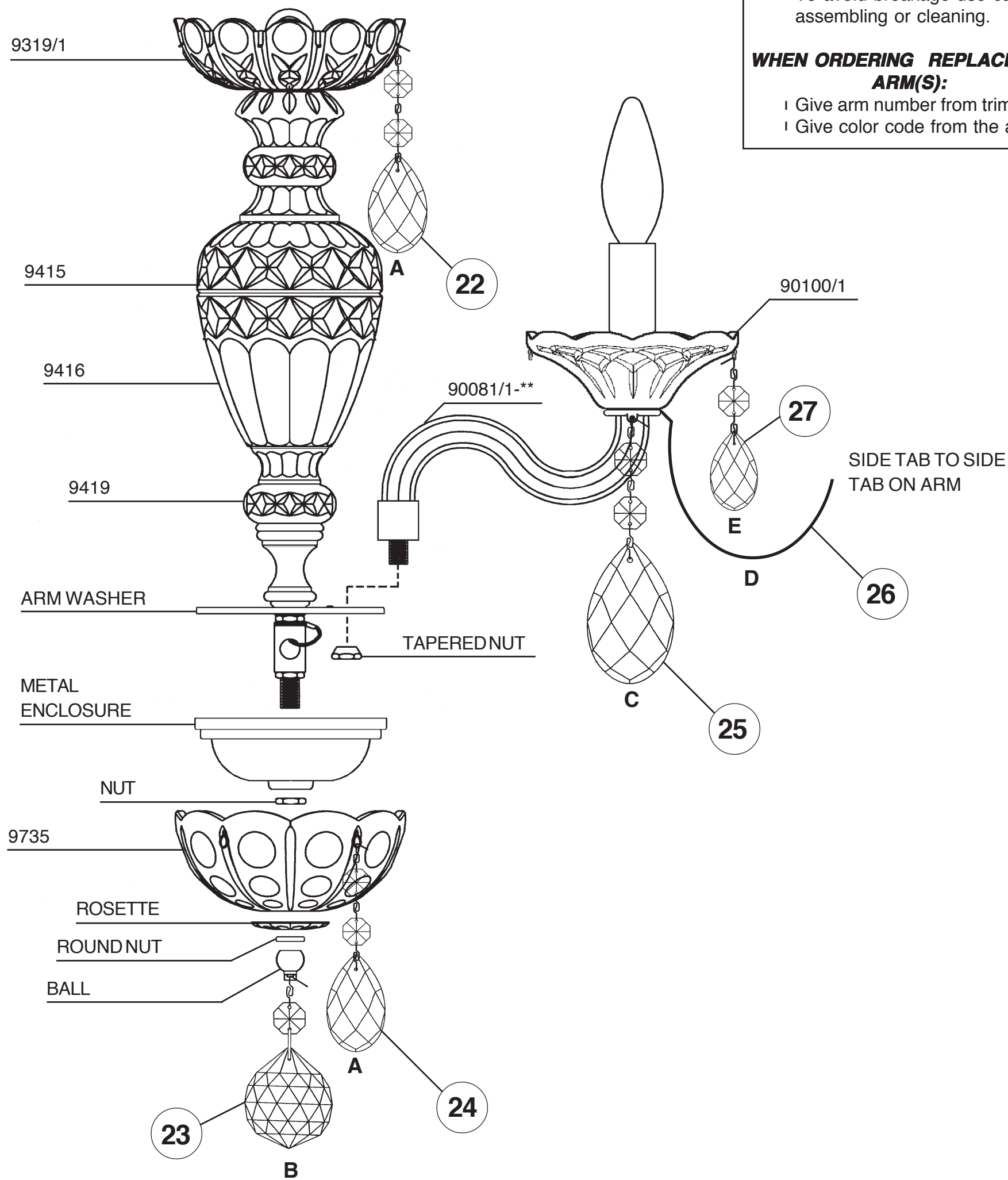
Connect white arm wires to neutral column wire
(ribbed or marked is neutral).

Connect black arm wires to the power wire in column.
Carefully press wires as close as possible to the
underside of washer.

Install bobeches, bulbs, connect power and test the
fixture **BEFORE** attaching glass assembly. If any of
the bulbs do **NOT** light - **DISCONNECT POWER**.

Double check the wire connections.

Install running thread into hex coupling. Attach glass
assembly with rosette, round nut and ball.



CAUTION: Glass parts are fragile.
To avoid breakage use care when
assembling or cleaning.

**WHEN ORDERING REPLACEMENT
ARM(S):**

- ! Give arm number from trim diagram
- ! Give color code from the arm itself

