

# INSTALLATION INSTRUCTIONS

## Adjustable Wall Wash Luminaires

5028

# WAC LIGHTING

**CAUTION: TO PREVENT ELECTRICAL SHOCK, ENSURE ELECTRICITY HAS BEEN TURNED OFF AT THE CIRCUIT BREAKER BEFORE BEGINNING.**

- Read all instructions before installing.
- System is intended for installation by a licensed electrician in accordance with the National Electrical Code (NEC) and local regulations.
- When handling the fixture, do not apply pressure to the LEDs. Hold the fixture by the base only.
- Retain installation instructions for future maintenance reference.
- Risk of electric shock. Install all luminaires 10 feet (3.05m) or more from a pool, spa, or fountain.
- Route in close proximity to the luminaire or fitting, or next to a building structure such as a house or deck.
- Do not bury at a depth of more than 6 inches (15.2 cm) in order to connect to the main low voltage cable.
- Have the length cut off so that it is connected to a connector within 6 inches (15.2 cm) from a building structure, a luminaire, or fitting.

**WARNING:** All parts must be used as indicated in these instructions. This product is designed for use only with the supplied parts and/or accessories designated for use by WAC Lighting. Substitution of parts or accessories not designated for use with this product by WAC Lighting could result in personal injury or property damage, and will void the warranty. Contact an authorized dealer or the manufacturer if any parts are damaged or missing.

**MAINTENANCE NOTE:** Coastal conditions may cause mineral and residue build-up on the fixture. We recommend that customers in coastal areas clean all external surfaces of the fixture once every two weeks with a wet cloth.

**MISE EN GARDE:** Pour éviter tout choc électrique, assurez-vous que le disjoncteur soit mis hors tension avant de commencer.

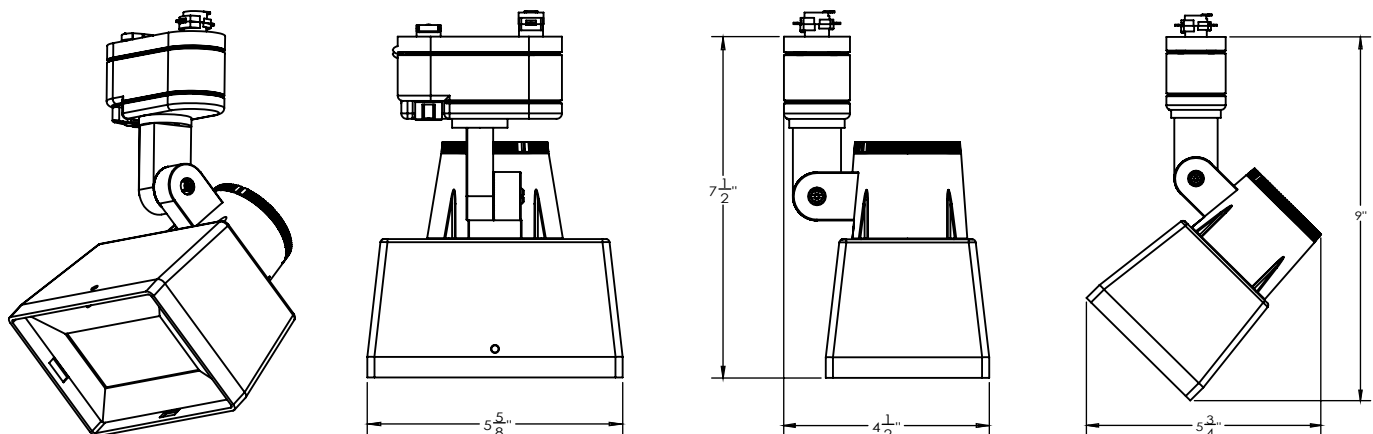
- Lisez toutes les instructions avant l'installation.
- Le système doit être installé par un électricien licencié conformément au code national de l'électricité (NEC), et également aux règlements locaux.
- Lors de la manipulation du luminaire, n'appuyez pas sur les LED. Tenez-le uniquement par la base.
- Risque de choc électrique. Installez tous les luminaires de (3.05m) (10 ft.) ou plus d'une piscine, d'un spa ou d'une fontaine.
- Acheminer à proximité du luminaire ou d'un raccord, ou près d'un bâtiment telle une maison ou une terrasse.
- Ne pas enterrer à une profondeur supérieure à 6 pouces (15,2 cm) afin de pouvoir connecter au câble principal de tension basse.
- Couper la longueur de façon qu'elle soit connectée à un connecteur à moins de 6 pouces (15,2 cm) d'un bâtiment, d'un luminaire ou d'un raccord.

**ATTENTION:** Toutes les pièces doivent être utilisées comme indiqué dans ces instructions. Ce produit est conçu pour être utilisé seulement avec les pièces et/ou accessoires fournis pour être utilisés avec les produits WAC Lighting. Remplacer des pièces ou accessoires non conçus pour ce produit WAC Lighting pourrait causer des dommages corporels ou matériels et pourrait également causer l'annulation de la garantie. Veuillez contacter un revendeur autorisé ou le fabricant si des pièces manquent ou sont endommagées.

**NOTE D'ENTRETIEN:** Les conditions côtières peut causer une accumulation de minéraux et de résidus sur le luminaire. Nous recommandons aux clients qui résident dans les zones côtières de nettoyer toutes les surfaces externes du luminaire une fois toutes les deux semaines avec un chiffon humide.

**OVERVIEW:** Fixtures are designed for use on WAC Lighting's track systems.

LED TRACK LUMINAIRE	TRACK SYSTEM
H-5028W Series	120V H Track
L-5028W Series	120V L Track
J-5028W Series	120V J or J2 Track



**NOTE:** All parts must be used as indicated in these instructions. Do not substitute any parts, leave parts out, or use any parts that are worn out or broken. Failure to follow this instruction could invalidate the ETL/cETL listing of this fixture.

waclighting.com  
Phone (800) 526.2588  
Fax (800) 526.2585

Headquarters/Eastern Distribution Center  
44 Harbor Park Drive  
Port Washington, NY 11050

Central Distribution Center  
1600 Distribution Ct  
Lithia Springs, GA 30122

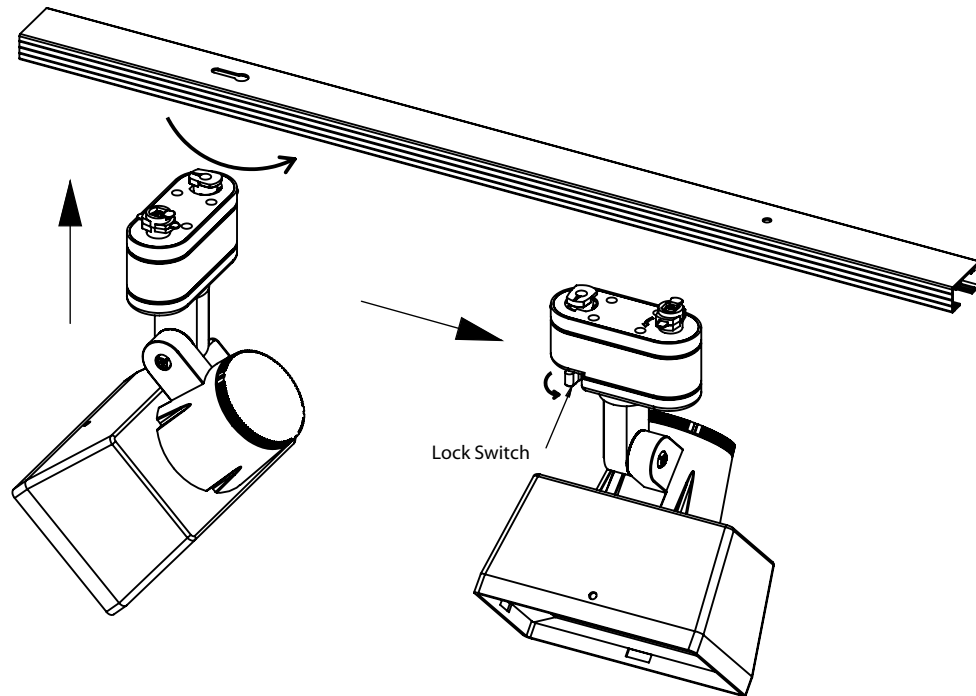
Western Distribution Center  
1750 Archibald Avenue  
Ontario, CA 91760

INSTALLATION INSTRUCTIONS  
**Adjustable Wall Wash Luminaries**  
5028

WAC LIGHTING

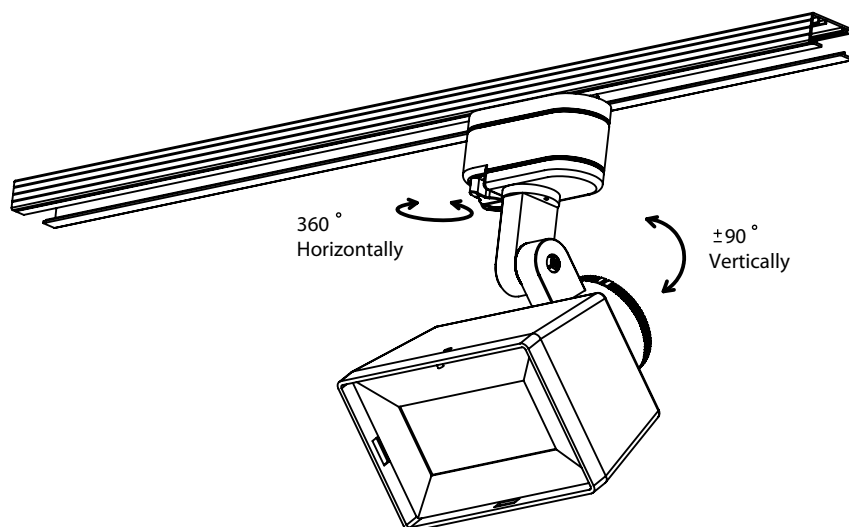
**FIXTURE INSTALLATION FOR J/H/L TRACK:**

1. Insert adapter into track slot and rotate it 90°.
2. Push up and turn the locking switch into the lock position.
3. Reverse procedure to remove. Track heads may be positioned anywhere along the track.



**FIXTURE POSITIONING:**

Power on fixture, rotate the luminaire's body horizontally or vertically to aim it properly. The fixture can rotate  $\pm 90^\circ$  vertically and  $360^\circ$  horizontally.



waclighting.com  
Phone (800) 526.2588  
Fax (800) 526.2585

Headquarters/Eastern Distribution Center  
44 Harbor Park Drive  
Port Washington, NY 11050

Central Distribution Center  
1600 Distribution Ct  
Lithia Springs, GA 30122

Western Distribution Center  
1750 Archibald Avenue  
Ontario, CA 91760

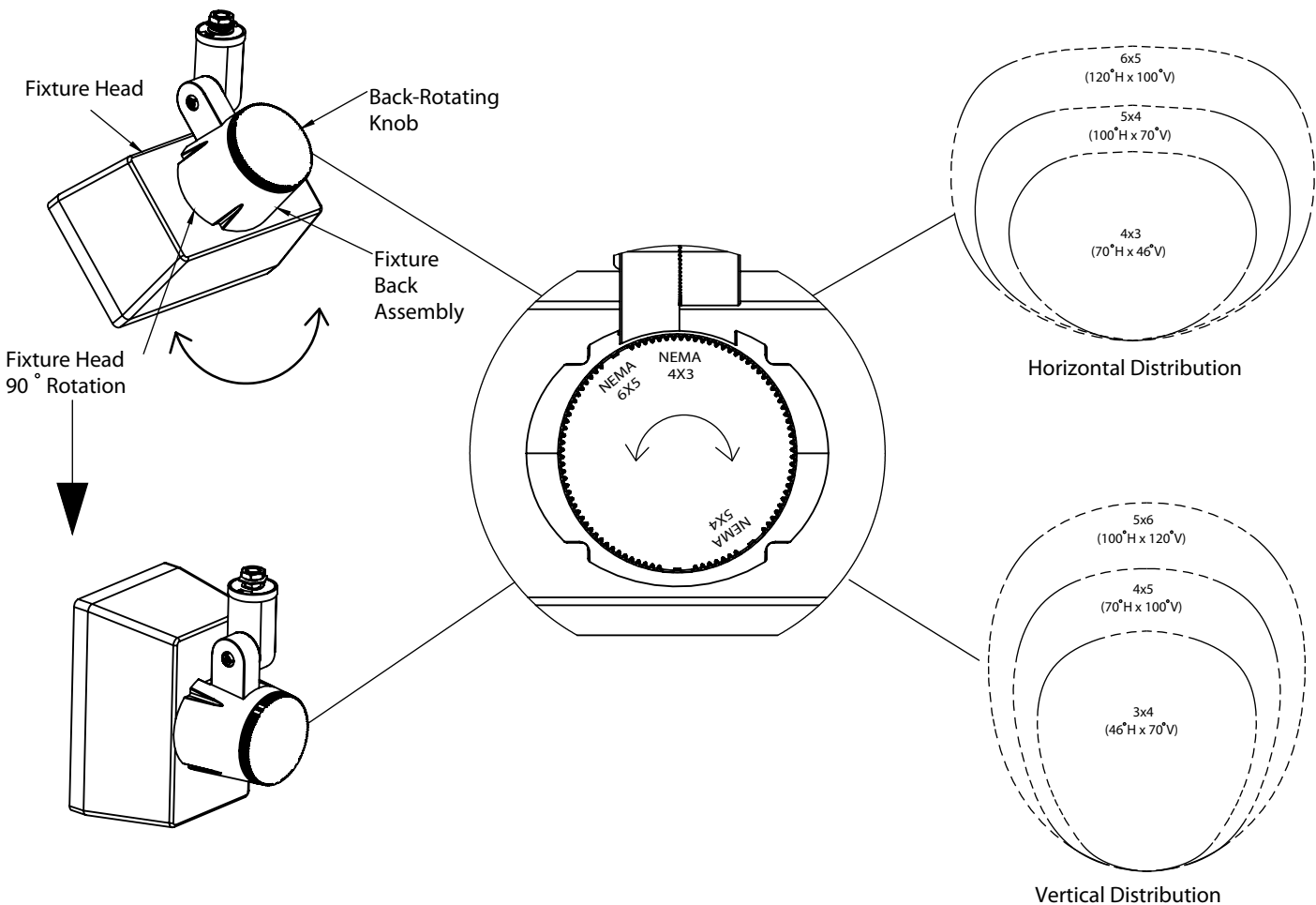
**BEAM ANGLE ADJUSTMENT:**

1. Hold fixture body with one hand and back-rotating knob with another.
2. Grip the back-rotating knob and rotate it gently clockwise or counter clockwise until desired beam angle is achieved.
3. Cease rotation when you feel resistance as beam angle is reaching its minimum or maximum.

**BEAM DISTRIBUTION ADJUSTMENT:**

1. Hold fixture body with one hand and back-rotating knob with another.
2. Grip the back-rotating knob and rotate it gently clockwise or counter clockwise until desired beam angle is achieved.
3. Cease rotation when you feel resistance as beam angle is reaching its minimum or maximum.

**Note:** Please do not rotate fixture head when beam angle is at NEMA 6x5 distribution.



# INSTALLATION INSTRUCTIONS

## Adjustable Wall Wash Luminaries

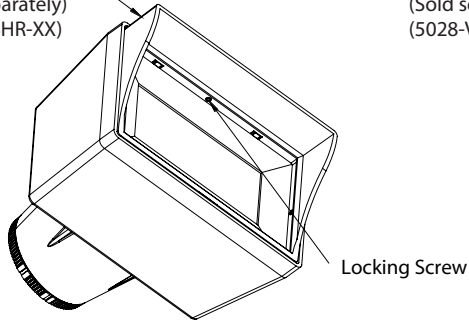
5028

# WAC LIGHTING

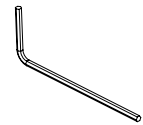
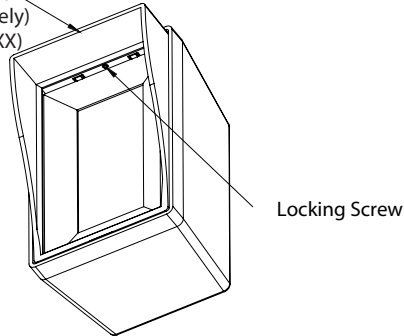
### ACCESSOIRES:

1. Horizontal Shroud (Sold separately) – can be installed in both up and bottom position by locking screw with provided hex key
2. Vertical Shroud (Sold separately) – can be installed in both up and bottom position by locking screw with provided hex key
3. Full Shroud (Sold separately) – can be installed by locking screw with provided hex key

Horizontal Shroud  
(Sold separately)  
(5028-HSHR-XX)

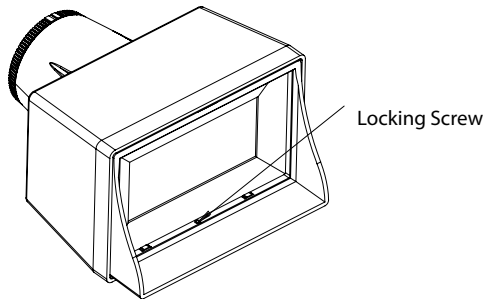


Vertical Shroud  
(Sold separately)  
(5028-VSHR-XX)

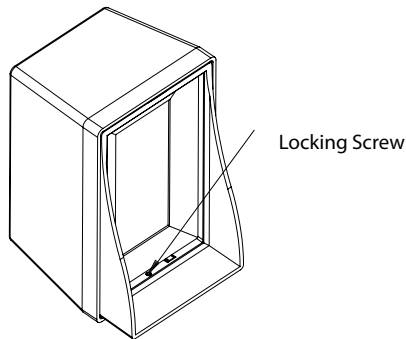


Provided

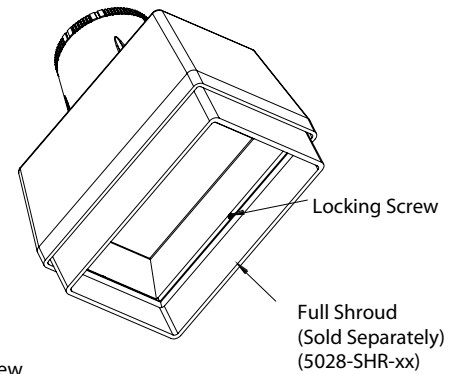
Locking Screw



Locking Screw



Locking Screw



Locking Screw

Full Shroud  
(Sold Separately)  
(5028-SHR-xx)

wacighting.com  
Phone (800) 526.2588  
Fax (800) 526.2585

Headquarters/Eastern Distribution Center  
44 Harbor Park Drive  
Port Washington, NY 11050

Central Distribution Center  
1600 Distribution Ct  
Lithia Springs, GA 30122

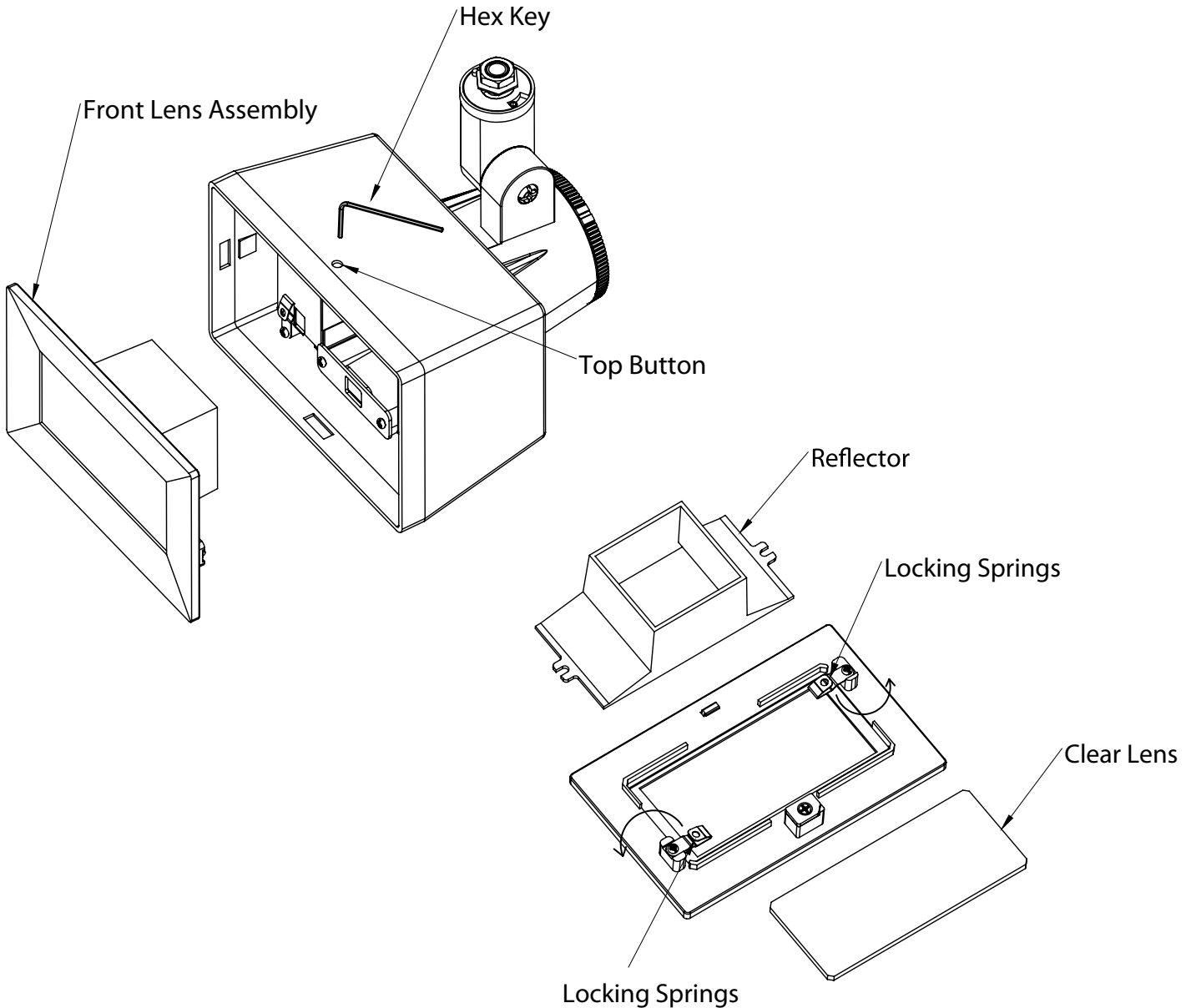
Western Distribution Center  
1750 Archibald Avenue  
Ontario, CA 91760

INSTALLATION INSTRUCTIONS  
**Adjustable Wall Wash Luminaries**  
5028

WAC LIGHTING

**COLOR LENS ACCESSORIES (SOLD SEPARATELY):**

1. Use the hex key to remove front shroud.
2. Use the hex key to push the button on top of the fixture and pull the front lens assembly out of the fixture.
3. Swing the two locking springs to free the reflector and clear lens. Swap the clear lens with color lens.
4. Push the front lens assembly back to the fixture. It will click on the fixture and will be secure by the spring structure.
5. Put the shroud back on the fixture.



**NOTE:** Due to tree growth, annual inspection of the strap is required to ensure that the fixture is secure. Failure to do so may cause the fixture to fall from the tree, or damage to the fixture or other items.

wacighting.com  
Phone (800) 526.2588  
Fax (800) 526.2585

Headquarters/Eastern Distribution Center  
44 Harbor Park Drive  
Port Washington, NY 11050

Central Distribution Center  
1600 Distribution Ct  
Lithia Springs, GA 30122

Western Distribution Center  
1750 Archibald Avenue  
Ontario, CA 91760