

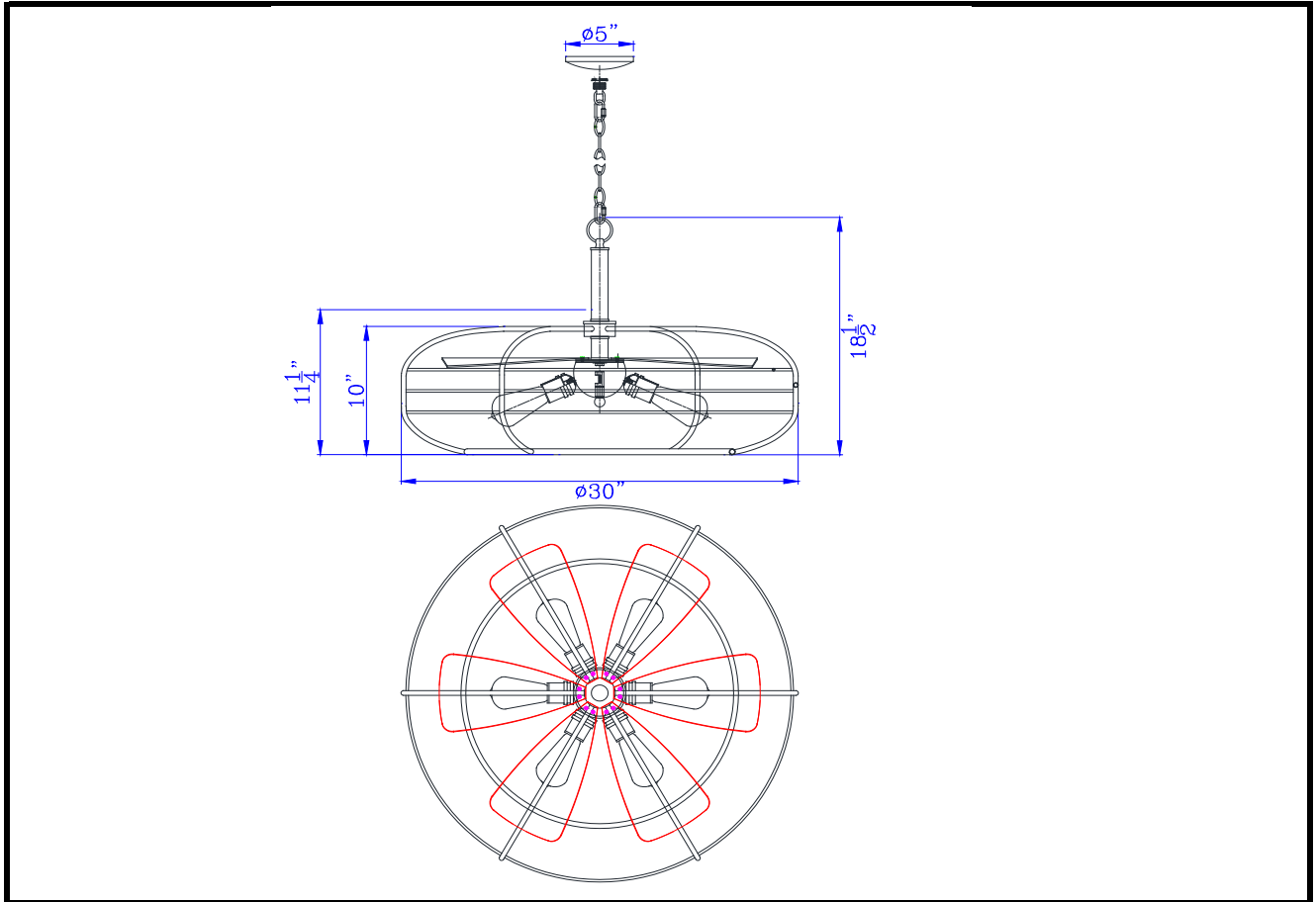


# CAL LIGHTING

3625 E. Philadelphia St. Ontario CA. 91761 • Tel: 909.947.5200 • Fax:  
909.947.5673 • www.calighting.com • service@calighting.com •  
Specifications subject to change without notice

Type: \_\_\_\_\_  
Project: \_\_\_\_\_  
Catalog No.: \_\_\_\_\_  
Lamp/Wattage: \_\_\_\_\_

Drawing:



**Model No:** FX-3711-6  
**Description:** Margo 60W x 6 metal chandelier (Edison bulbs not included)  
**Material:** Metal  
**Finish :** Dark Bronze  
**Height:** 18 1/2"  
**Width:** Dia.30"  
**Reach:** Dia.30"  
**Wattage :** 60Wx6  
**Socket :** Medium Base ( E26 )  
**Bulb:** Incandescent  
**Chain Length:** 6'  
**Wire Length:** 10"  
**Wire Color:** Black  
**Shade No:**  
**Material:**  
**Shade size:**  
**Certificate :** 