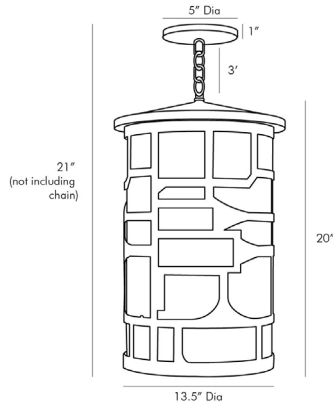


# ARTERIOS

## SHANI OUTDOOR PENDANT



49222  
 H: 21 IN, Dia: 13.50 IN  
 Aged Iron  
 Contract Suitable As Is

The mid-century craftsman style of this pendant light makes it intriguing and modern, while its grand scale gives it presence. The steel frame is almost sculptural, featuring a linear pattern that is hammered and finished in aged iron, adding to the mid-century modern feel. It conceals a sleeve of opal glass that filters the light from three bulbs, so the light it emits spreads warmly outward and openly downward. Additional chain (CHN-193) available. Approved for outdoor use.

### APPEARANCE

|                  |                 |
|------------------|-----------------|
| Material         | Glass, Steel    |
| Finish           | Aged Iron, Opal |
| Top Coat/Sealant | true            |
| Link             | Welded          |

### DIMENSIONS

|                        |                         |
|------------------------|-------------------------|
| Pendant                | H: 20 IN, Dia: 13.50 IN |
| Minimum Hanging Height | 21 IN                   |
| Canopy                 | H: 1 IN, Dia: 5.00 IN   |

### WIRING

|              |                      |
|--------------|----------------------|
| Rating       | Outdoor              |
| Cord         | 10 FT, Black, SVT    |
| Socket       | 3, Type B--E12 Other |
| Maximum Watt | 60                   |
| Voltage      | 110-120 V            |

### CERTIFICATIONS

|                |                                                                       |
|----------------|-----------------------------------------------------------------------|
| Certifications | Mexico<br>European Union, United Arab Emirates, United States, Canada |
|----------------|-----------------------------------------------------------------------|

### COMPLIANCY

|        |      |
|--------|------|
| UL/ETL | Yes  |
| CB     | Yes  |
| RoHS   | true |

### SHIPPING

|                |                              |
|----------------|------------------------------|
| Product Weight | 15.5 LBS                     |
| Gross Weight 1 | 21 LBS                       |
| Shipping Box 1 | H: 19 IN, L: 29 IN, W: 19 IN |

### REPLACEMENT PARTS

|                        |             |
|------------------------|-------------|
| Replacement Part 1     | CHN-193     |
| Replacement Part 1 Dim | 3'          |
| Replacement Part 2     | CANOPY-278  |
| Replacement Part 2 Dim | 1" x 5" Dia |

### CONTRACT

|                   |      |
|-------------------|------|
| Contract Suitable | true |
|-------------------|------|