

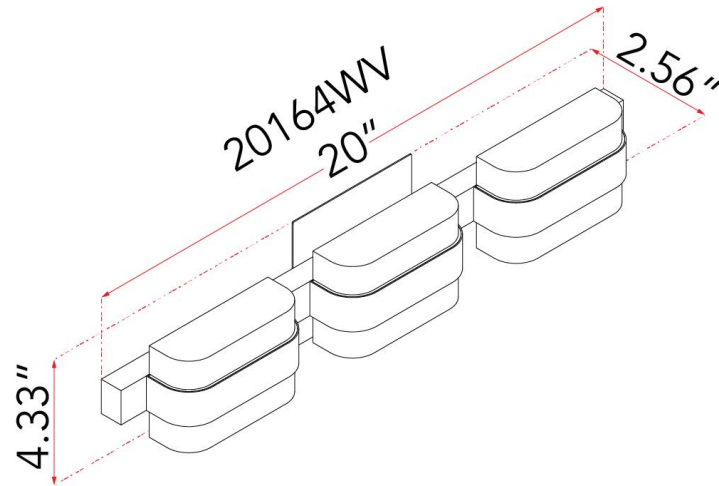


FAMILY NAME **20164WV-CH**

3-Lt Crystal Glass Vanity with movable Backplate

ABRA MODEL **JoJo**

UPC



FIXTURE MATERIAL				FIXTURE DIMENSIONS IN INCHES									
Frame Material	Finishes Available	Diffuser Type	Diffuser Finish	Diameter	Height	o.a.h	Width	Length	Ext	ADA	Location	Rating	Compliance
Metal	CH-Chrome BN-Brushed Nickel	Glass	Clear		4.72			20	2.56	Yes	Wall Mount only	Damp Location	cETLus
LAMPING										Compatible Dimmers	Junction Box Type	SUPPLIED	
Lamp Type	Lamp qty	Wattage	Max Wattage	Base	Kelvin	CRI	Initial Lumen's	Delivered Lumen's	Voltage	Triac, ELV, CL	Standard 4 x 4 Octagon Box	Lamps	
LED	3	8w	24w	Solid State Module	3000k	90+	2040	1428 estimated	120v	SPECIAL NOTES			

ABRA LIGHTING
NEOTERIC DESIGN

12151 Madera Way Riverside California 92503
Phone: 949-940-1155 • Toll Free 800-295-7121
www.abralighting.com

Project Name			
Date		Type	