

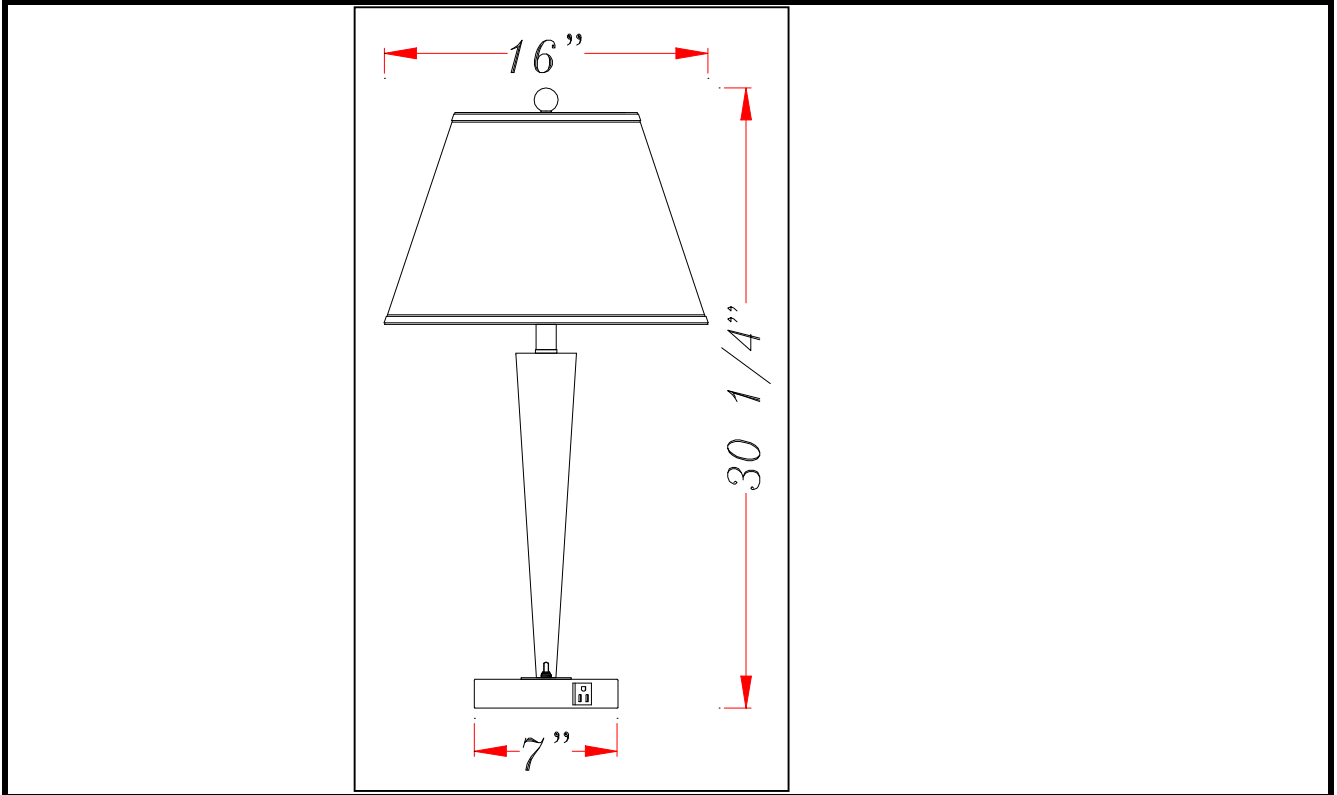


CAL LIGHTING

3625 E. Philadelphia St. Ontario CA. 91761 • Tel: 909.947.5200 • Fax:
909.947.5673 • www.calighting.com • service@calighting.com • Specifications
subject to change without notice

Type: _____
Project: _____
Catalog No.: _____
Lamp/Wattage: _____

Drawing:



Model No: LA-2025NS-2BW
Description: 60Wx2 Murcia metal desk lamp with 3-way push button base switch
Material: METAL
Finish : Brushed Steel/Wood
Height: 30 1/4"
Base Width: D7"
Harp Size: 9"
Wattage : 60wx2
Socket : Medium Base (E26)
Switch: 3-way push button base switch
Bulb: Incandescent, CFL
Power Outlet: 1
Ethernet Jack: None
Cord: SVT 18#
Cord Length: 6'
Cord Color: BLACK
Shade No: SH-1218
Material: Fabric
Shade size: 9"x16"x11"

Certificate :

