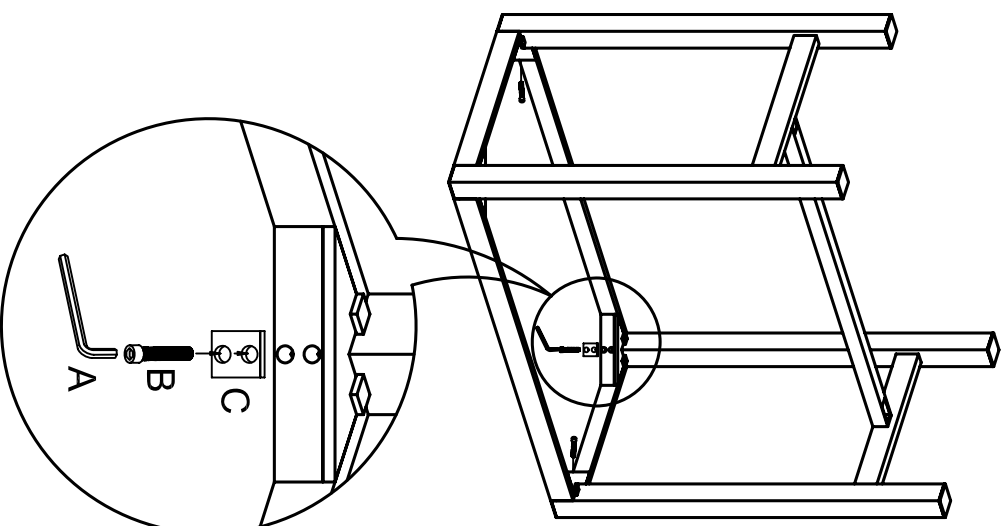
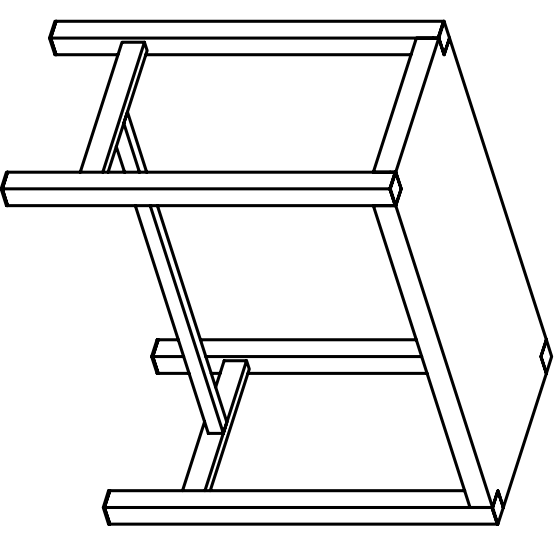


STEP 1


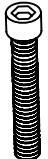
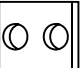




STEP 2



FINISH

ER-1080-18

A	B	C	D	E
 6MM 1PC	 M8*60 8PCS	 34X30X3 4PCS	 M8*20 2PCS	 Ø8 2PCS