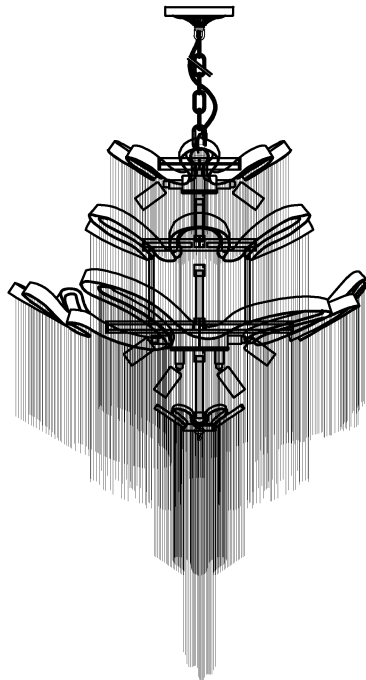



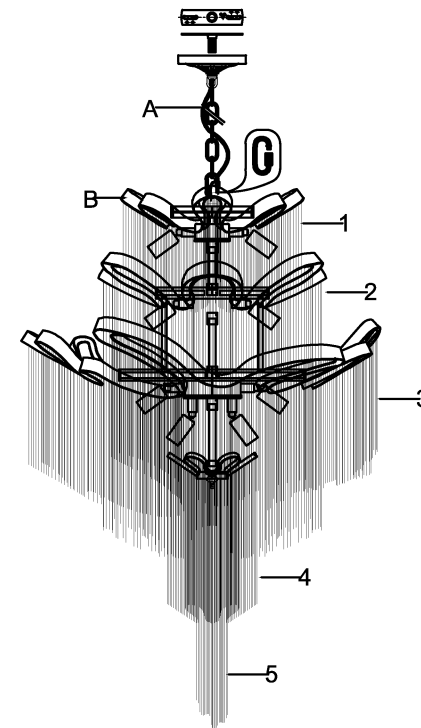
Trade Mark:  
CRYSTAL WORLD INC

Product Name: Pendant lamp  
Model :5650P24C-15L  
120Vac, 60Hz,AC ONLY  
Lamp Size:D24"\*H35"



## PENDANT LAMP ASSEMBLY INSTRUCTIONS

- 1.Please put the glass(C) on the (B).
- 2.Please fix (A) with (B).
- 3.Install bulbs ( NOT INCLUDED).USE **120V G9**  **17\*40W Max.**



- 1: 140MM - 495PCS
- 2: 440MM - 553PCS
- 3: 210MM - 1152PCS
- 4: 260MM - 250PCS
- 5: 450MM - 49PCS

