



# CAL LIGHTING

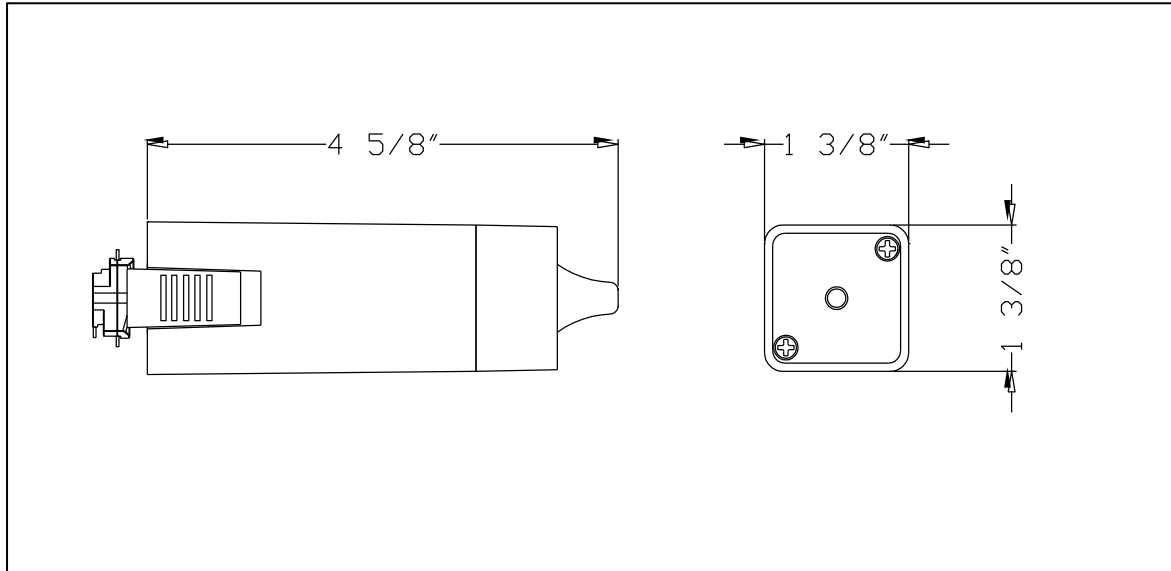
3625 E. Philadelphia St. Ontario CA. 91761 • Tel: 909.947.5200 • Fax:  
909.947.5673 • www.calighting.com • service@calighting.com •  
Specifications subject to change without notice

Type: \_\_\_\_\_

Project: \_\_\_\_\_

Catalog No.: \_\_\_\_\_

Lamp/Wattage: \_\_\_\_\_



**Model No. :** HT-957

**Description :** 3 LBS Track pendant vertical adaptor

**Voltage :** 12V, 50W

**Ampere:**

**Finish :** DB (Dark Bronze)

**Certificate :** 