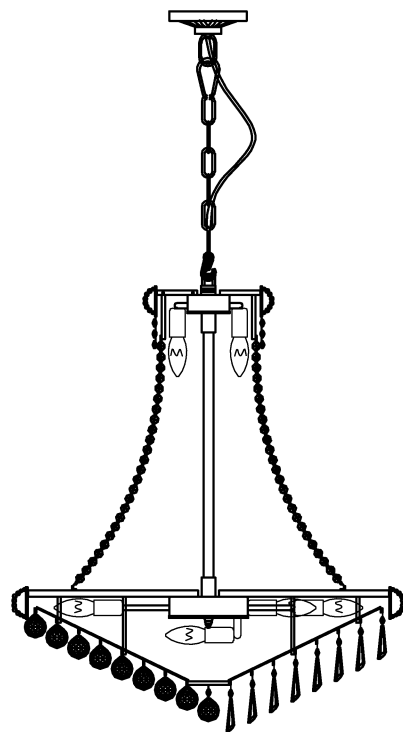


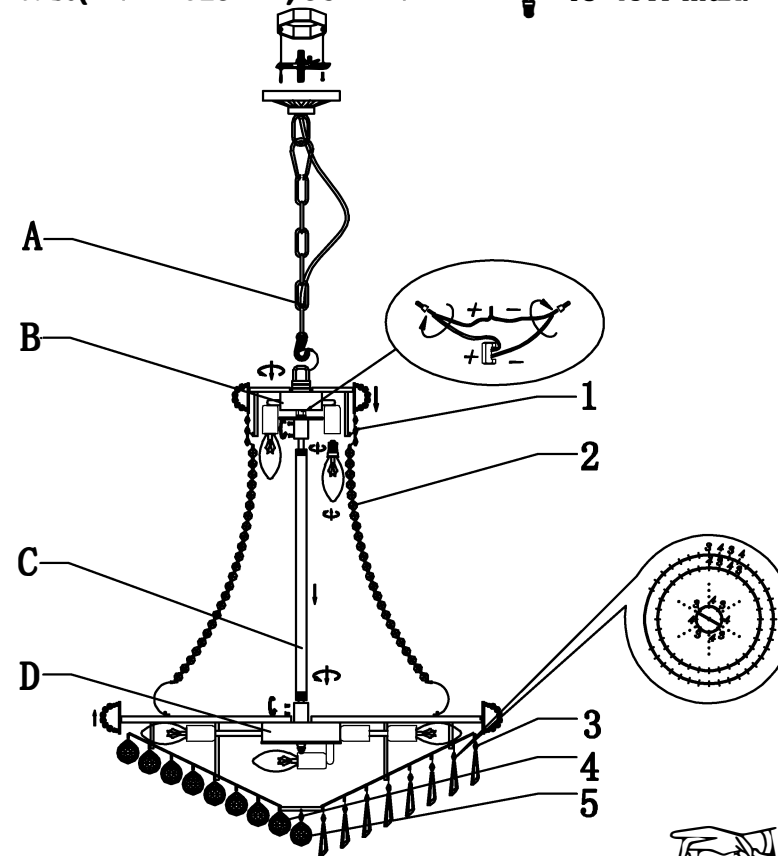
Trade Mark:
CRYSTAL WORLD INC

Product Name: Pendant lamp
Model :8040P30C
120Vac, 60Hz,AC ONLY
Lamp Size:Ø30"X35"H



PENDANT LAMP ASSEMBLY INSTRUCTIONS

- 1.Screw part (C) onto the part (D) secure with screw.
- 2.Screw part (B) onto the part (C) secure with screw.
- 3.Please fix (A) with (B).
- 4.Please wear gloves when you hanging the crystal.
- 5.Install bulbs(NOT INCLUDED),USE 120V E12 18*40W Max.



- | | | | | |
|-----------------------------|------------------------------|---|------------------------------|---|
| 1

14mm*3pcs
39PCS | 2

14mm*24pcs
36PCS | 3

14mm*1pcs
63mm*1pcs
144PCS | 4

40mm*1PCS
144PCS | 5

14mm*1PCS
40mm*1PCS
1PCS |
|-----------------------------|------------------------------|---|------------------------------|---|